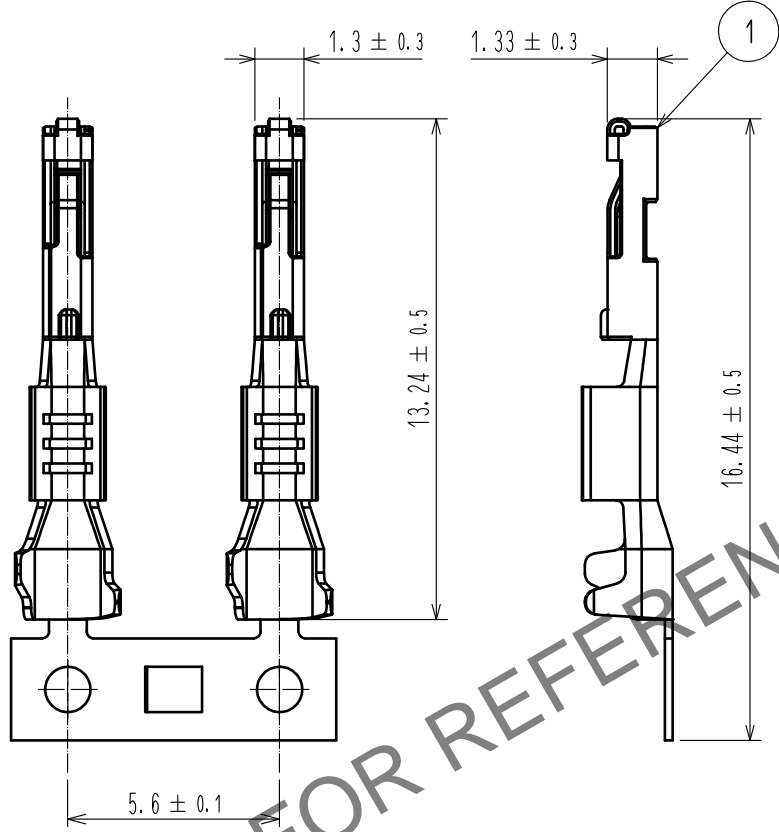
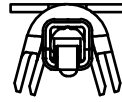
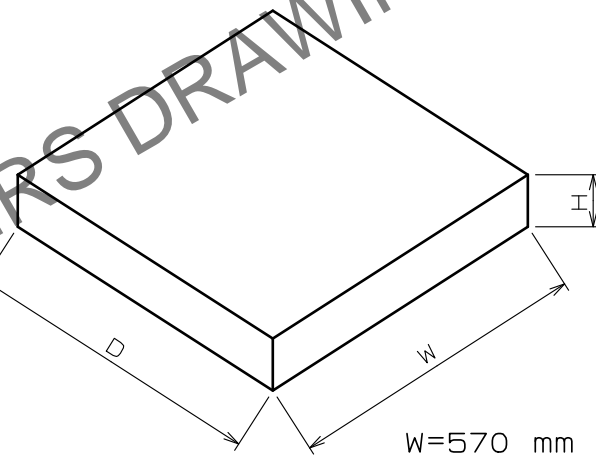


Feb.1.2025 Copyright 2025 HIROSE ELECTRIC CO., LTD. All Rights Reserved.
 In case of consideration for using Automotive equipment / device which demand high reliability, kindly contact our sales window correspondents.

ELV, RoHS COMPLIANT

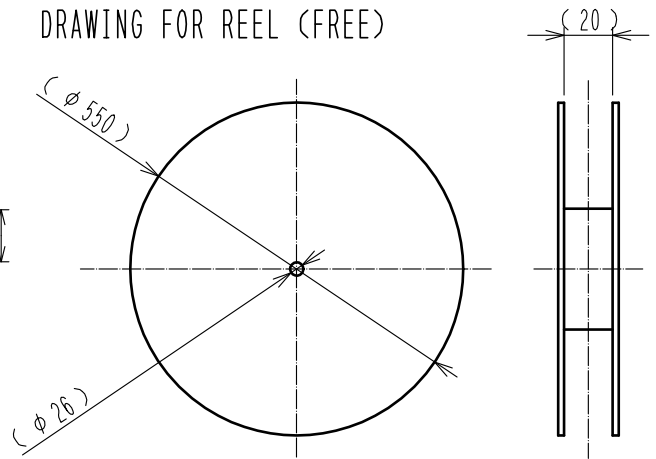


PACKING STYLE



W=570 mm
 D=570 mm
 H= 50 mm

DRAWING FOR REEL (FREE)



Note1. 10,000PCS/RL

2. REGARDING HOW TO HANDLE THE PACKAGED PRODUCTS, PLEASE REFER TO THE ATAD-T0946-00「INSTRUCTION MANUAL FOR HANDLING OF REEL PACKAGING CONTAINING CRIMP TERMINALS」

1	COPPER ALLOY	SURFACE : TIN PLATING $1\mu\text{m min}$ UNDER : COPPER PLATING $0.3\mu\text{m min}$						
NO.	MATERIAL	FINISH . REMARKS		NO.	MATERIAL	FINISH . REMARKS		
UNITS mm		SCALE 5 : 1	COUNT 1	DESCRIPTION OF REVISIONS DIS-T-00013627		DESIGNED AN. SAIKI	CHECKED HH. TSUKUMO	DATE 20220524
HIROSE ELECTRIC CO., LTD.		APPROVED : HK. UMEHARA	20170316	DRAWING NO.		EDC-368625-00-00		
		CHECKED : HK. UMEHARA	20170316	PART NO.		ZE05-2022SCF		
		DESIGNED : TY. ISHIGURO	20170316	CODE NO.		CL0752-2001-0-00		
		DRAWN : MN. SATOH	20170316			1/1		