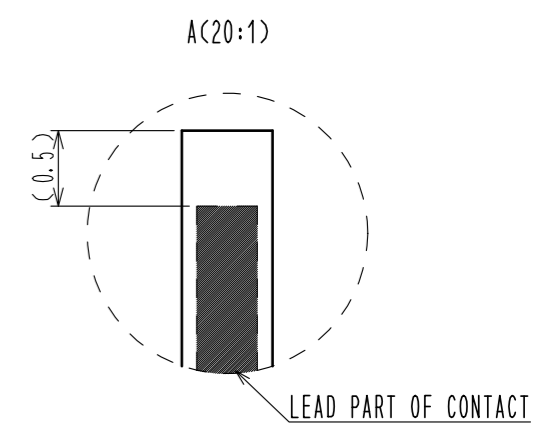
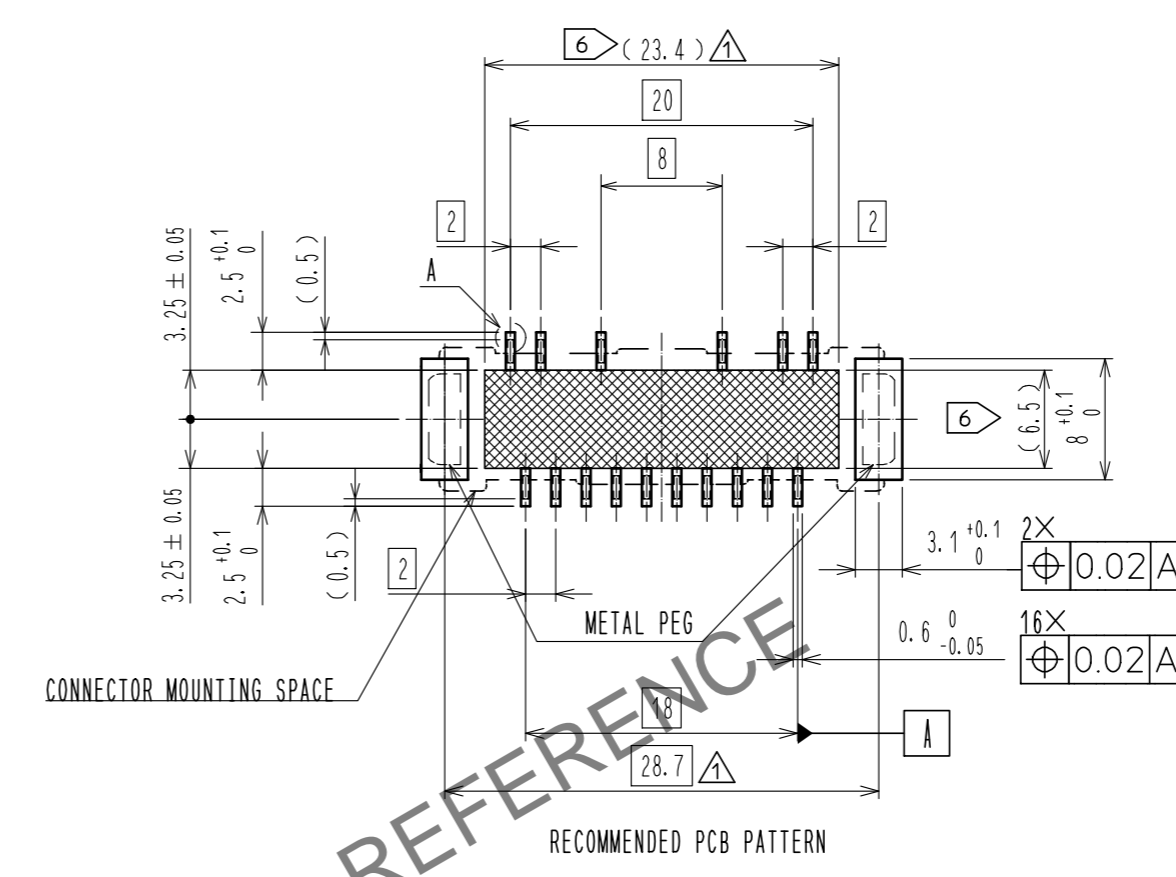
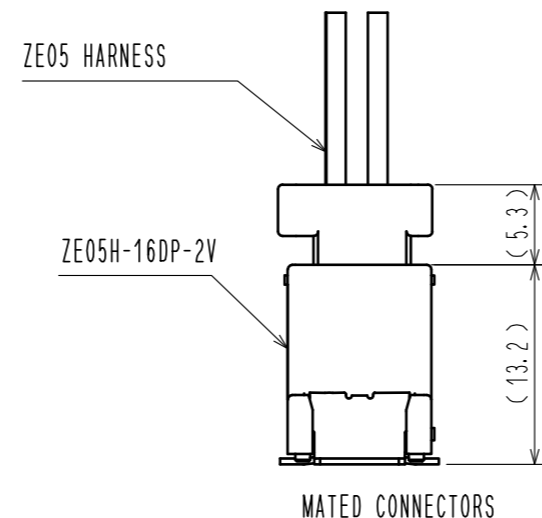
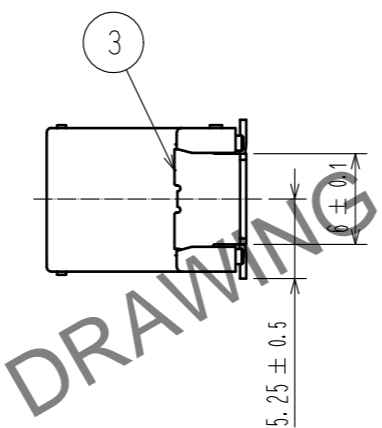
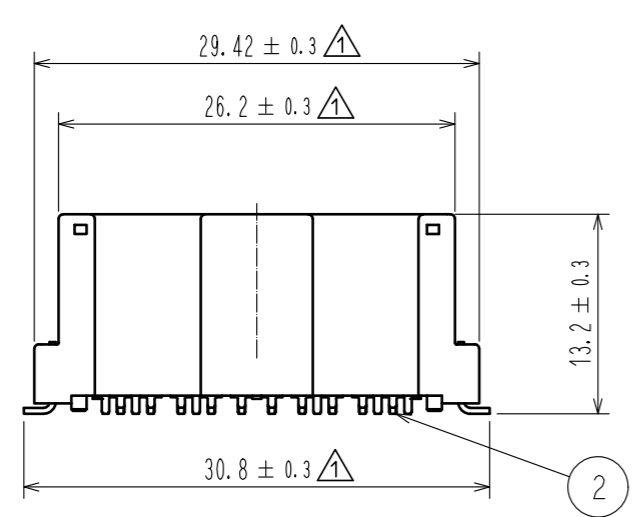
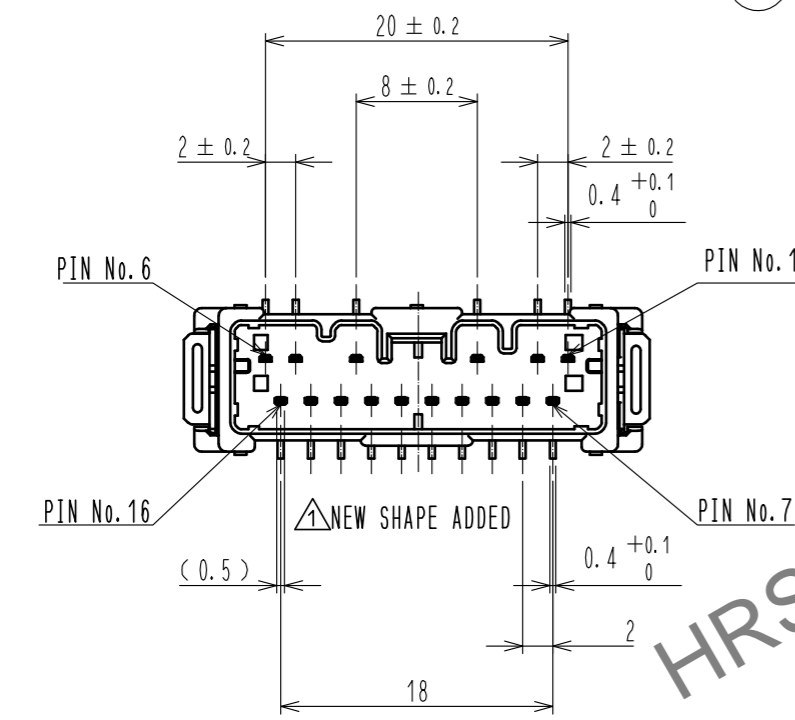
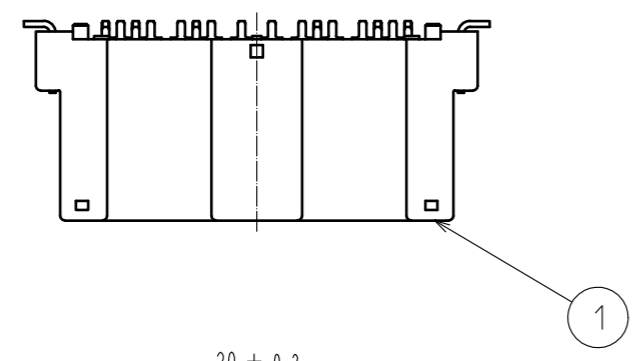
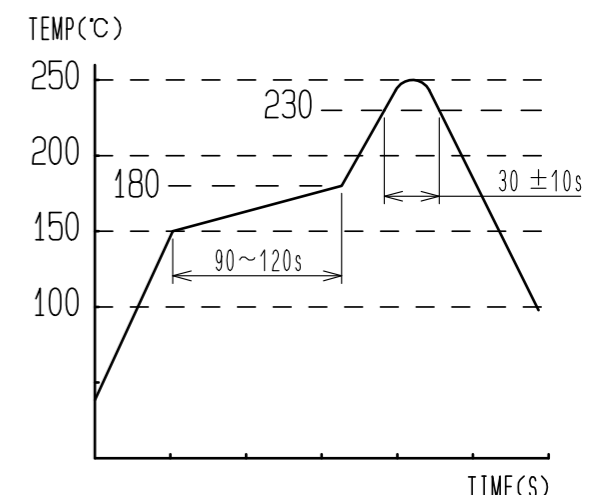


Nov.1.2024 Copyright 2024 HIROSE ELECTRIC CO., LTD. All Rights Reserved.
In case of consideration for using Automotive equipment / device which demand high reliability, kindly contact our sales window correspondents.

ELV, RoHS COMPLIANT



- NOTE 1. RECOMMENDED TEMPERATURE PROFILE FOR REFLOW (REFER TO RIGHT FIG.)
USED REFLOW SYSTEM : IR IN THE AIR OR NITROGEN
NO. OF CYCLES : 2 MAX
PEAK : 250°C
OVER 230°C : 20~40s
PREHEAT : 150~180°C
90~120s
2. TEMPERATURE FOR SOLDERING IRON : 280~300°C WITHIN 2s
3. CO-PLANARITY SHALL BE 0.1mm MAX.
4. RECOMMENDED PCB THICKNESS IS 1.6mm.
5. RECOMMENDED SOLDER THICKNESS IS 0.15mm.
6. [Pattern symbol] : Pattern prohibited area



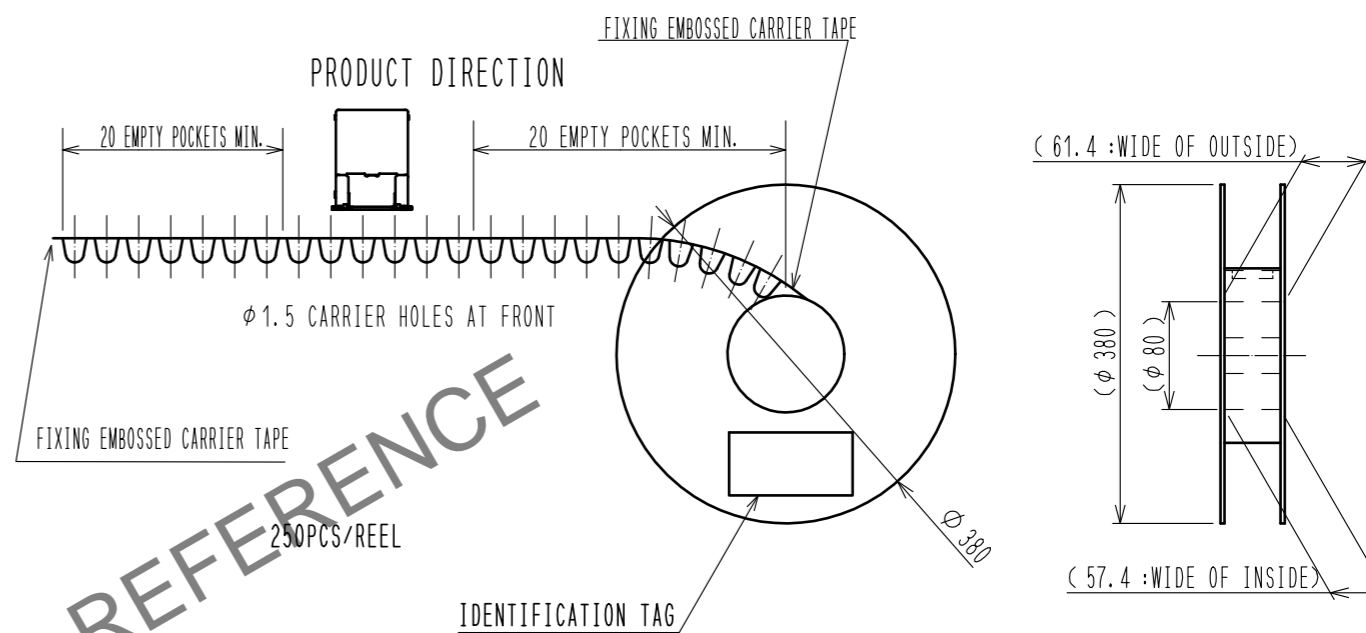
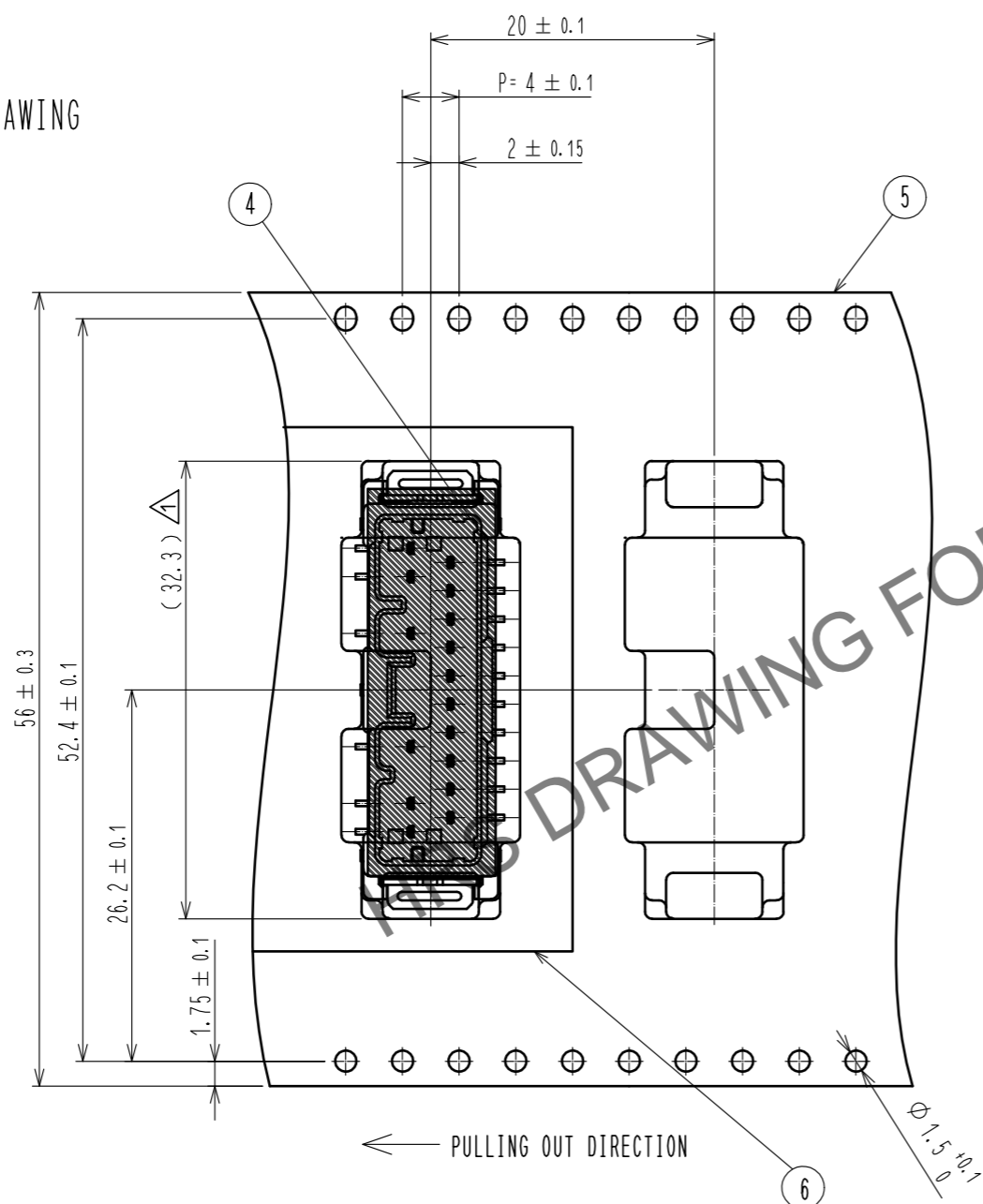
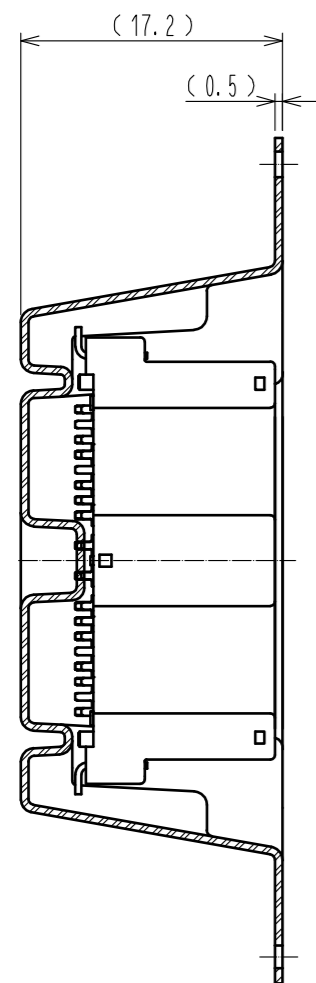
2	BRASS	SURFACE PLATING : TIN PLATING 1μm min UNDER PLATING : NICKEL 1μm min	6	POLYESTER	
1	PA	BLACK UL94V-0	5	POLYSTYRENE	
			4	POLYIMIDE	PICK & PLACE TAPE
			3	BRASS	SURFACE PLATING : TIN PLATING 1μm min UNDER PLATING : NICKEL 1μm min
NO.	MATERIAL	FINISH . REMARKS	NO.	MATERIAL	FINISH . REMARKS
UNITS mm		SCALE 2 : 1	COUNT 7	DESCRIPTION OF REVISIONS DIS-T-00007353	DESIGNED DK. YAMASUO
					CHECKED KH. MARUNO
					DATE 20201204
HRS	HIROSE ELECTRIC CO., LTD.	APPROVED : HH. TSUKUMO CHECKED : HH. TSUKUMO DESIGNED : YH. MAMADA DRAWN : YH. MAMADA	20200804 20200804 20200804 20200804	DRAWING NO. PART NO. CODE NO.	EDC-379785-00-00 ZE05H-16DP-2V CL0752-2314-0-00

Nov.1.2024 Copyright 2024 HIROSE ELECTRIC CO., LTD. All Rights Reserved.
 In case of consideration for using Automotive equipment / device which demand high reliability, kindly contact our sales window correspondents.

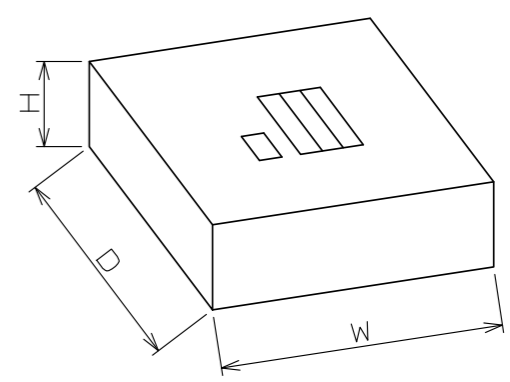
PACKING STYLE

REEL DIMENSION(FREE)

PACKING STYLE DRAWING



CARDBOARD DIMENSION(FREE)



W=(405) (mm)
 D=(405) (mm)
 H=(63) (mm)

HRS	DRAWING NO.	EDC-379785-00-00	
	PART NO.	ZE05H-16DP-2V	
	CODE NO.	CL0752-2314-0-00	