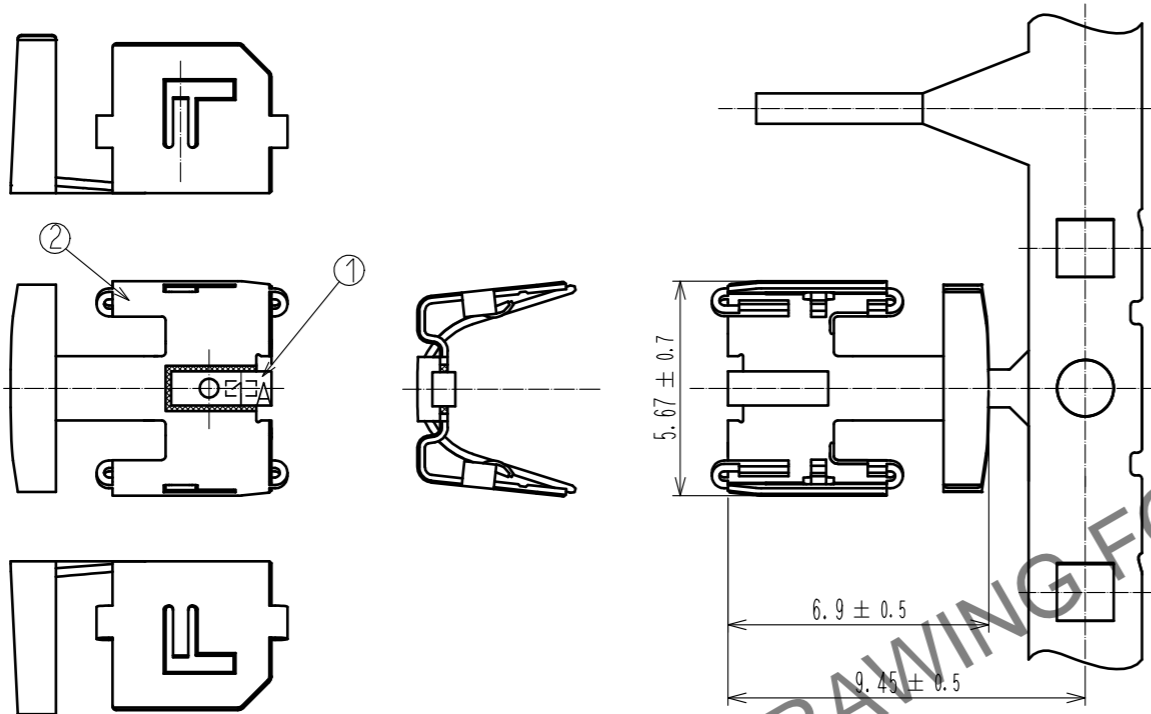


Feb.1.2026 Copyright 2026 HIROSE ELECTRIC CO., LTD. All Rights Reserved.
In case of consideration for using Automotive equipment / device which demand high reliability, kindly contact our sales window correspondents.

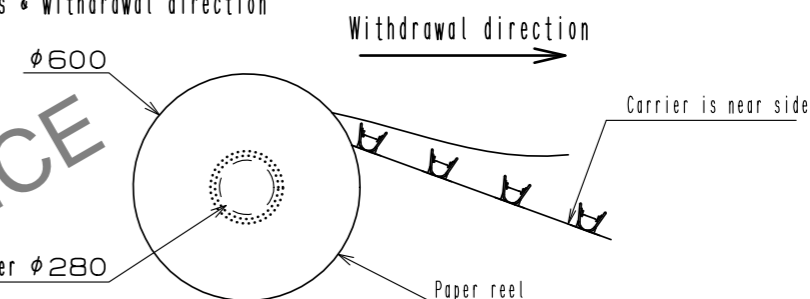
ELV. RoHS COMPLIANT

△ Change magnification



△ Packing specifications

- 1) How to connect carriers when reeling up
Max 6 joints per reel. Connect the carriers with interlayer paper.
At the beginning of winding, fix the interlayer paper and carrier, and the reel core and paper with tape respectively.
- 2) Number of terminals
2450 terminals per reel.
- 3) Shortage
Max 20 missing terminals per reel.
Max 4 missing terminals per shortage. Min 6 terminals or more per carrier.
- 4) Reel dimensions & withdrawal direction

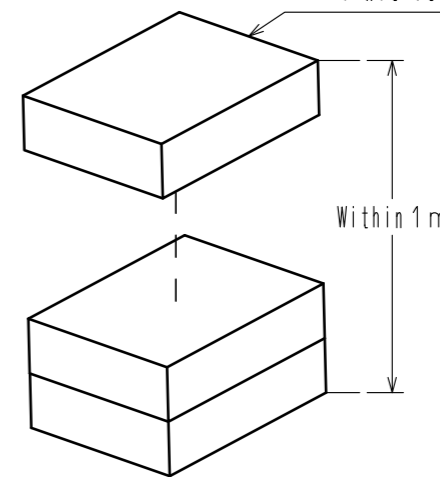


△ 5) Packing quantity

2 reels per cardboard. (4900 terminals per cardboard.)

6) Storage state diagram

To place horizontally.
Do not stack other products.



Storage state diagram

1	LCP	BLACK	2	COPPER ALLOY	TIN PLATING
NO.	MATERIAL	FINISH . REMARKS	NO.	MATERIAL	FINISH . REMARKS
UNITS mm		SCALE 5 : 1	COUNT 2	DESCRIPTION OF REVISIONS DIS-T-00007534	DESIGNED KN. MIKAMI
		APPROVED : KI. HIROKAWA	20180307	DRAWING NO.	EDC-374070-00-00
		CHECKED : KI. HIROKAWA	20180307	PART NO.	GT43-1P/S-CSB
		DESIGNED : KT. OKABE	20180307	CODE NO.	CL0753-1005-0-00
		DRAWN : GYEONGMIN LEE	20180307		