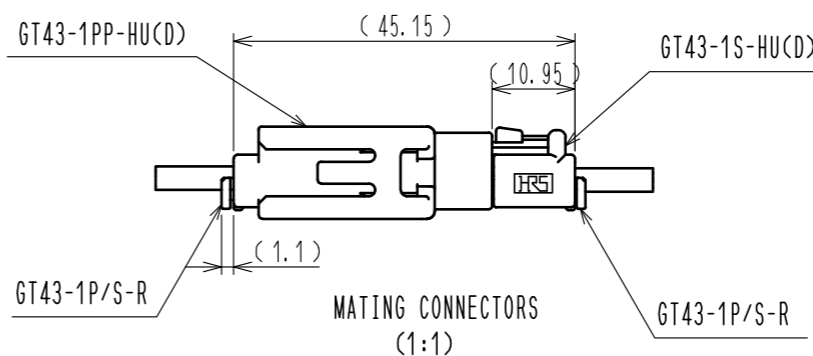
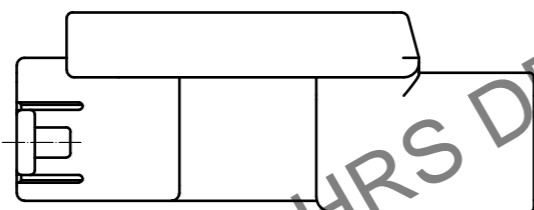
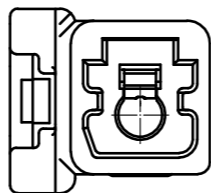
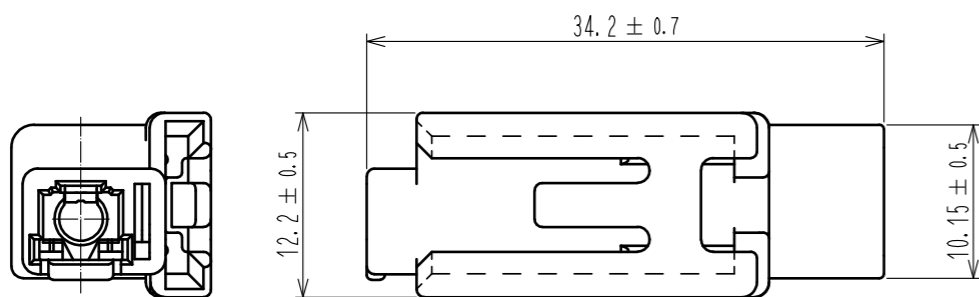
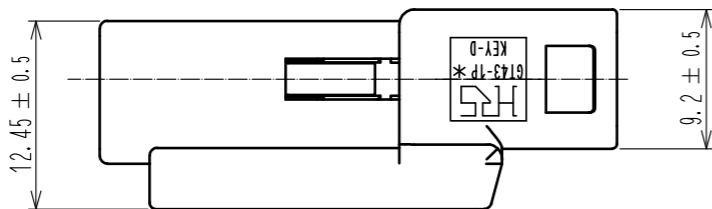
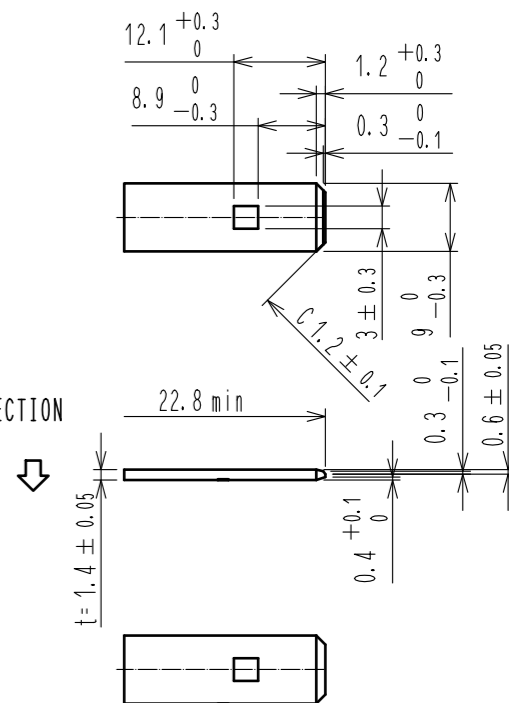


Mar.1.2026 Copyright 2026 HIROSE ELECTRIC CO., LTD. All Rights Reserved.  
In case of consideration for using Automotive equipment / device which demand high reliability, kindly contact our sales window correspondents.

ELV. RoHS COMPLIANT



MOLD PEELING DIRECTION



RECOMMENDED DIMENSION FOR METAL PEG (1:1)

1	PBT	BLACK					
NO.	MATERIAL	FINISH . REMARKS	NO.	MATERIAL	FINISH . REMARKS		
UNITS mm		SCALE 2 : 1		COUNT	DESCRIPTION OF REVISIONS	DESIGNED	CHECKED
		HIROSE ELECTRIC CO., LTD.	APPROVED : KI. HIROKAWA	18.03.07	DRAWING NO.	EDC-376888-00-00	
			CHECKED : KI. HIROKAWA	18.03.07	PART NO.	GT43-1PP-HU(D)	
			DESIGNED : KT. OKABE	18.03.07	CODE NO.	CL753-1006-0-00	
			DRAWN : GYEONGMIN LEE	18.03.07			