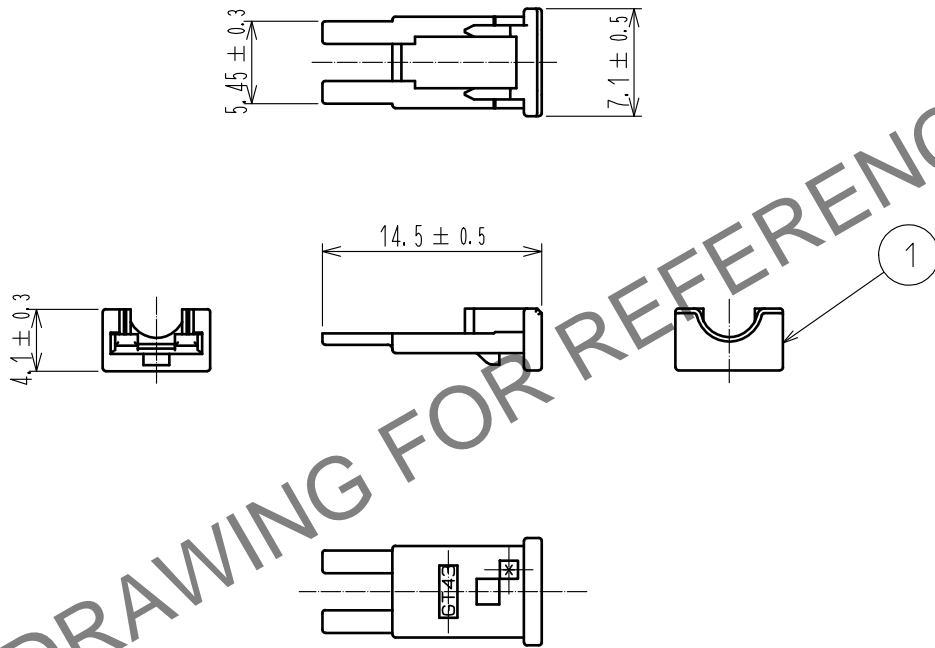


Mar.1.2026 Copyright 2026 HIROSE ELECTRIC CO., LTD. All Rights Reserved.
 In case of consideration for using Automotive equipment / device which demand high reliability, kindly contact our sales window correspondents.

ELV, RoHS COMPLIANT



Notes

- The quality remains fine, even with the dark spots, which could occasionally occur on molded plastic.

1	PBT	WHITE						
NO.	MATERIAL	FINISH	REMARKS	NO.	MATERIAL	FINISH	REMARKS	
UNITS mm		SCALE 2 : 1	COUNT 2	DESCRIPTION OF REVISIONS DIS-T-00006258	DESIGNED KN. MIKAMI	CHECKED MO. OKADA	DATE 20200617	
HRS HIROSE ELECTRIC CO., LTD.	APPROVED	·KI. HIROKAWA	20180307	DRAWING NO.	EDC-376889-00-00			
	CHECKED	·KI. HIROKAWA	20180307	PART NO.	GT43-1P/S-R			
	DESIGNED	·KT. OKABE	20180307	CODE NO.	CL753-1007-0-00			
	DRAWN	·GYEONGMIN LEE	20180307					