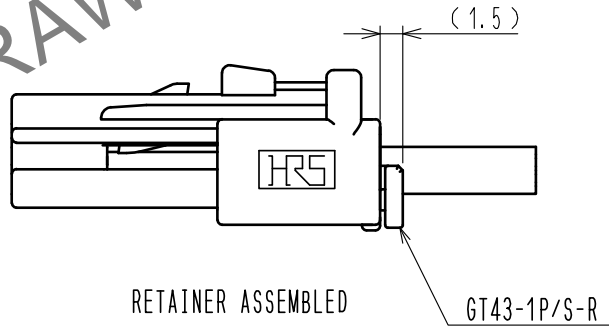
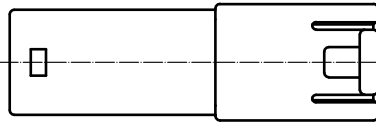
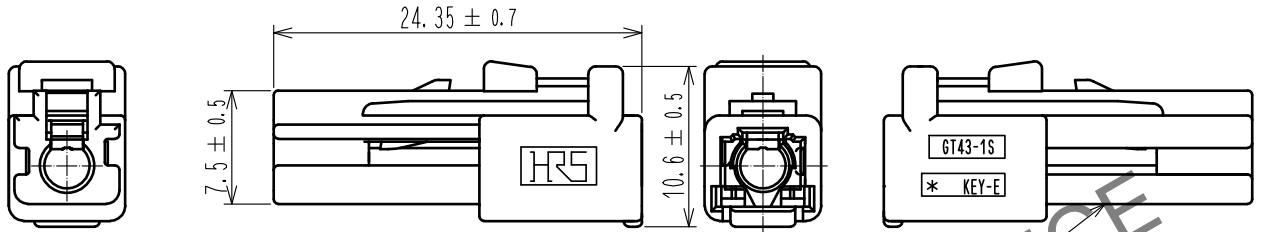
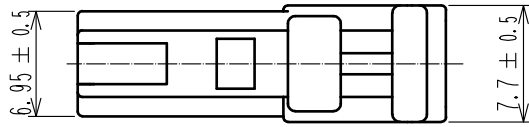


Mar.1.2026 Copyright 2026 HIROSE ELECTRIC CO., LTD. All Rights Reserved.
 In case of consideration for using Automotive equipment / device which demand high reliability, kindly contact our sales window correspondents.

ELV. RoHS COMPLIANT



HRS DRAWING FOR REFERENCE

1	PBT	DARK GRAY						
NO.	MATERIAL	FINISH	REMARKS	NO.	MATERIAL	FINISH	REMARKS	
UNITS mm		SCALE 2 : 1	COUNT 	DESCRIPTION OF REVISIONS		DESIGNED	CHECKED	DATE
HIROSE ELECTRIC CO., LTD.		APPROVED : KI. HIROKAWA	17.09.08	DRAWING NO.		EDC-376893-00-00		
		CHECKED : MO. OKADA	17.09.08	PART NO.		GT43-1S-HU(E)		
		DESIGNED : KT. OKABE	17.09.08	CODE NO.		CL753-1011-0-00		
		DRAWN : KT. OKABE	17.09.08			1/1		