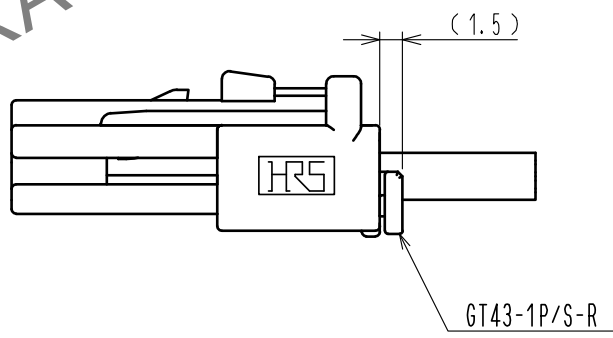
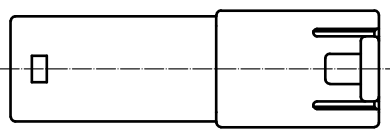
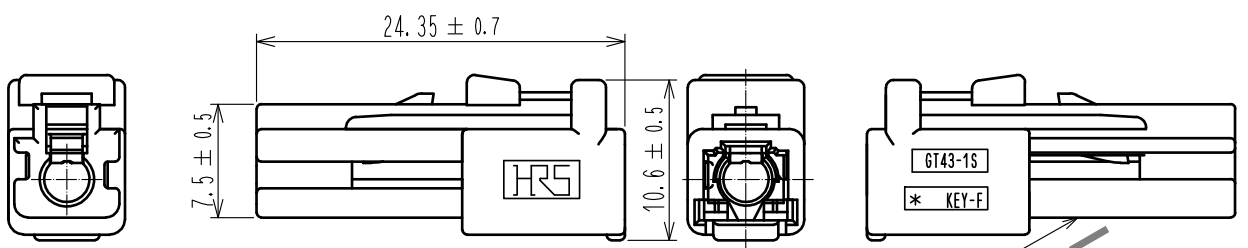
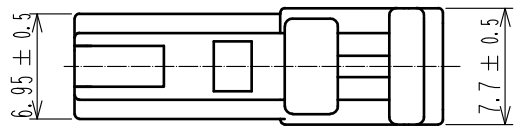


May.1.2024 Copyright 2024 HIROSE ELECTRIC CO., LTD. All Rights Reserved.
 In case of consideration for using Automotive equipment / device which demand high reliability, kindly contact our sales window correspondents.

ELV. RoHS COMPLIANT



RETAINER ASSEMBLED

HRS DRAWING FOR REFERENCE

1	PBT	VIOLET						
NO.	MATERIAL	FINISH	REMARKS	NO.	MATERIAL	FINISH	REMARKS	
UNITS mm		SCALE 2 : 1	COUNT 	DESCRIPTION OF REVISIONS		DESIGNED	CHECKED	DATE
HIROSE ELECTRIC CO., LTD.		APPROVED	: KI. HIROKAWA	17.09.08	DRAWING NO.	EDC-376894-00-00		
		CHECKED	: MO. OKADA	17.09.08	PART NO.	GT43-1S-HU(F)		
		DESIGNED	: KT. OKABE	17.09.08	CODE NO.	CL753-1012-0-00		1/1
		DRAWN	: KT. OKABE	17.09.08				