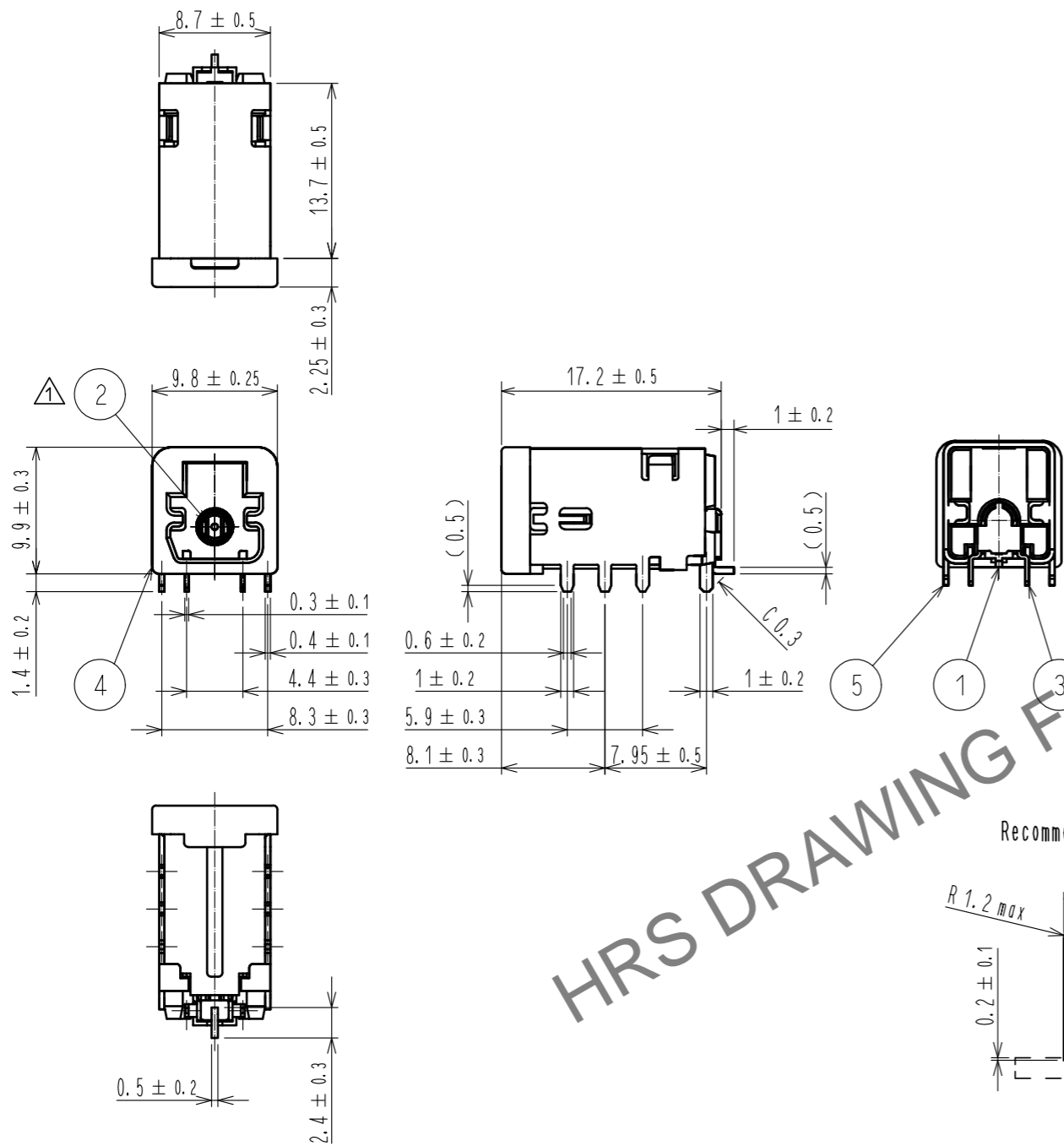
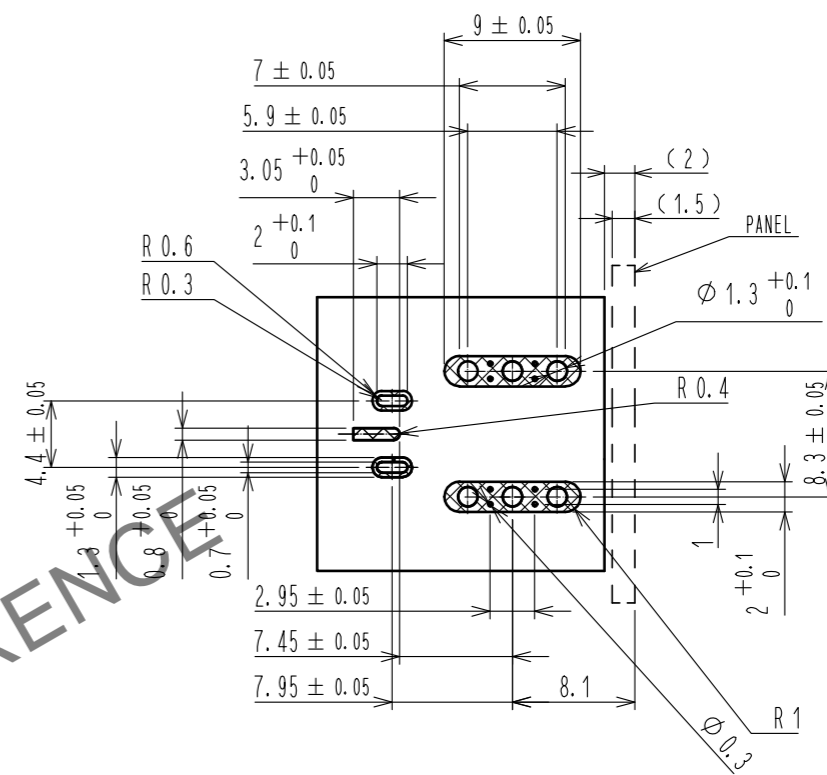


Mar.1.2026 Copyright 2026 HIROSE ELECTRIC CO., LTD. All Rights Reserved.
 In case of consideration for using Automotive equipment / device which demand high reliability, kindly contact our sales window correspondents.

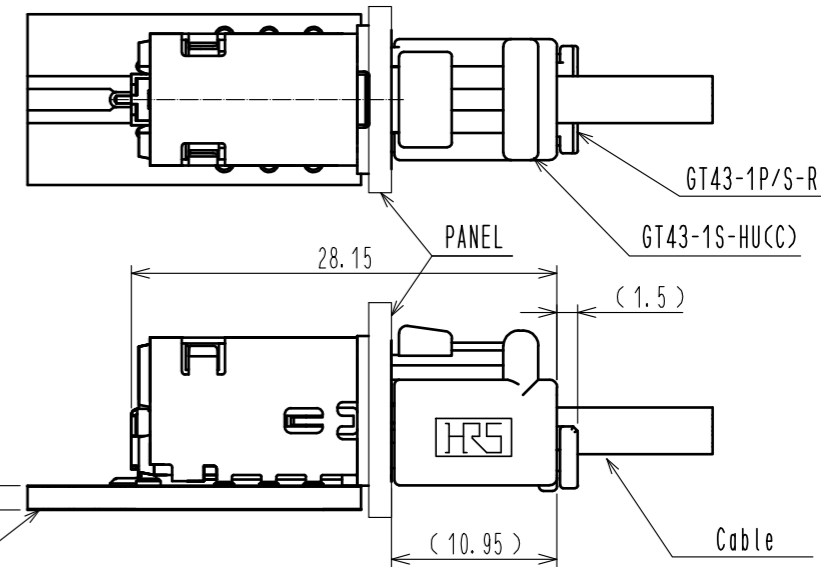
ELV. RoHS COMPLIANT



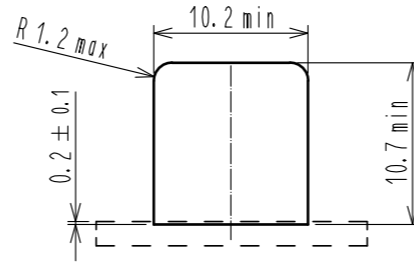
Recommended board pattern



Mated connectors

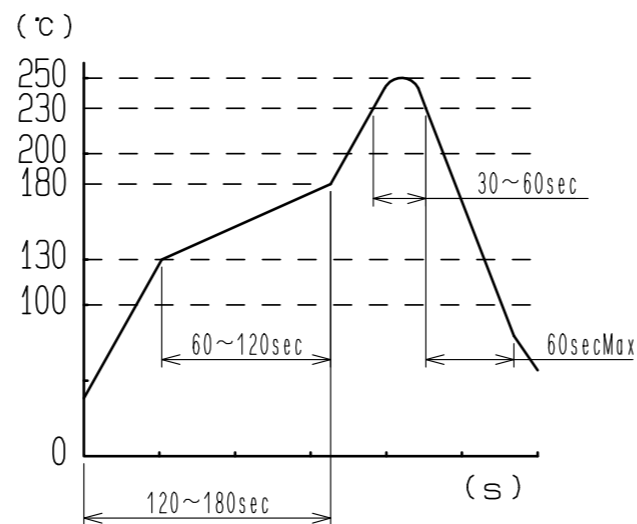


Recommended panel layout



NOTES

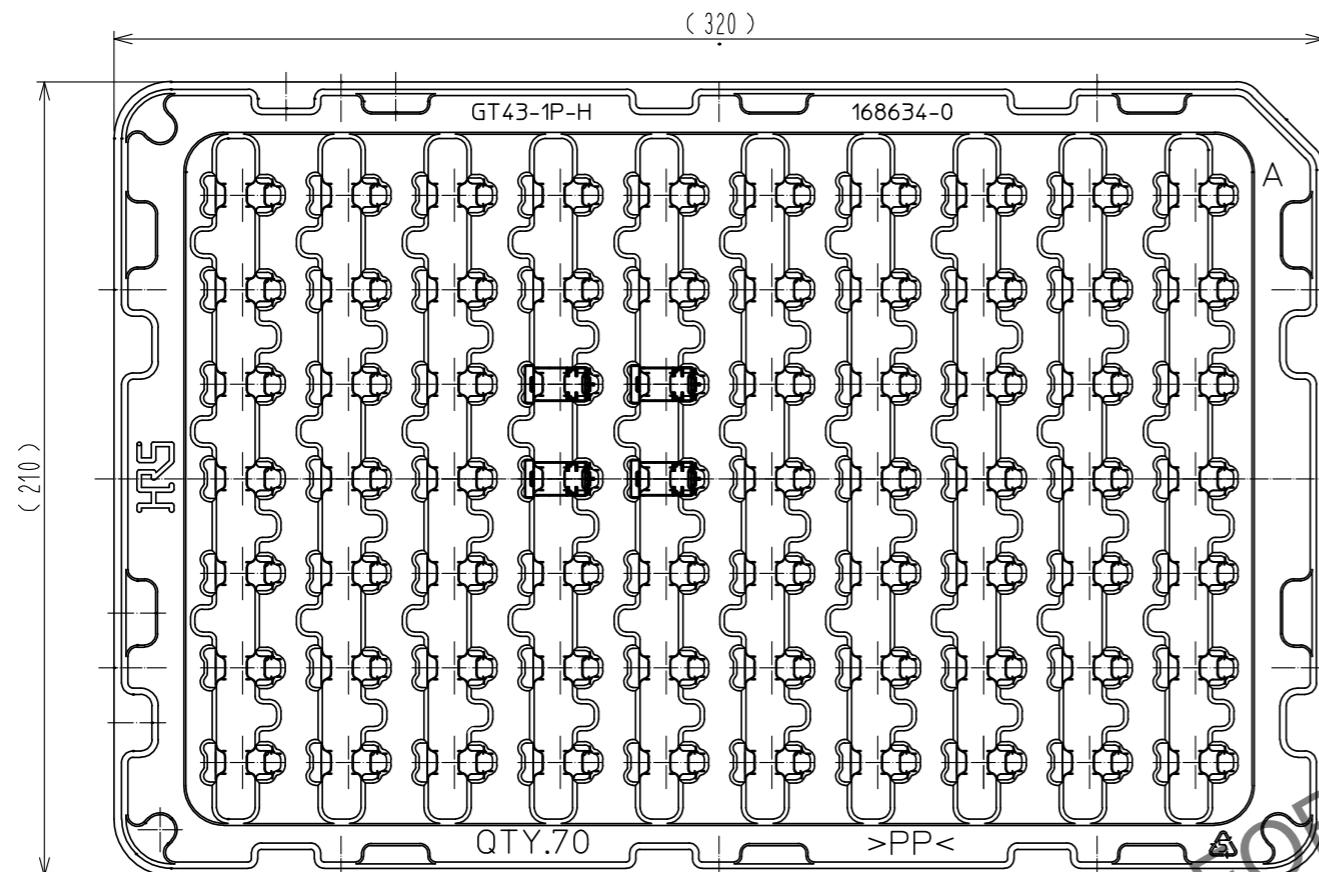
1. Recommended reflow profile (See right graph)
 Cycle time : Twice
 Peak temperature : 250°C
 230°C MIN : 30~60s
 Preheating area : 130~180°C . 60~120s
2. Hand solderling : 280~300°C 2s Max
3. Recommended thickness of PCB : 1.6^{+0.2}mm
4. Recommended thickness of Solderling paste : 0.15mm



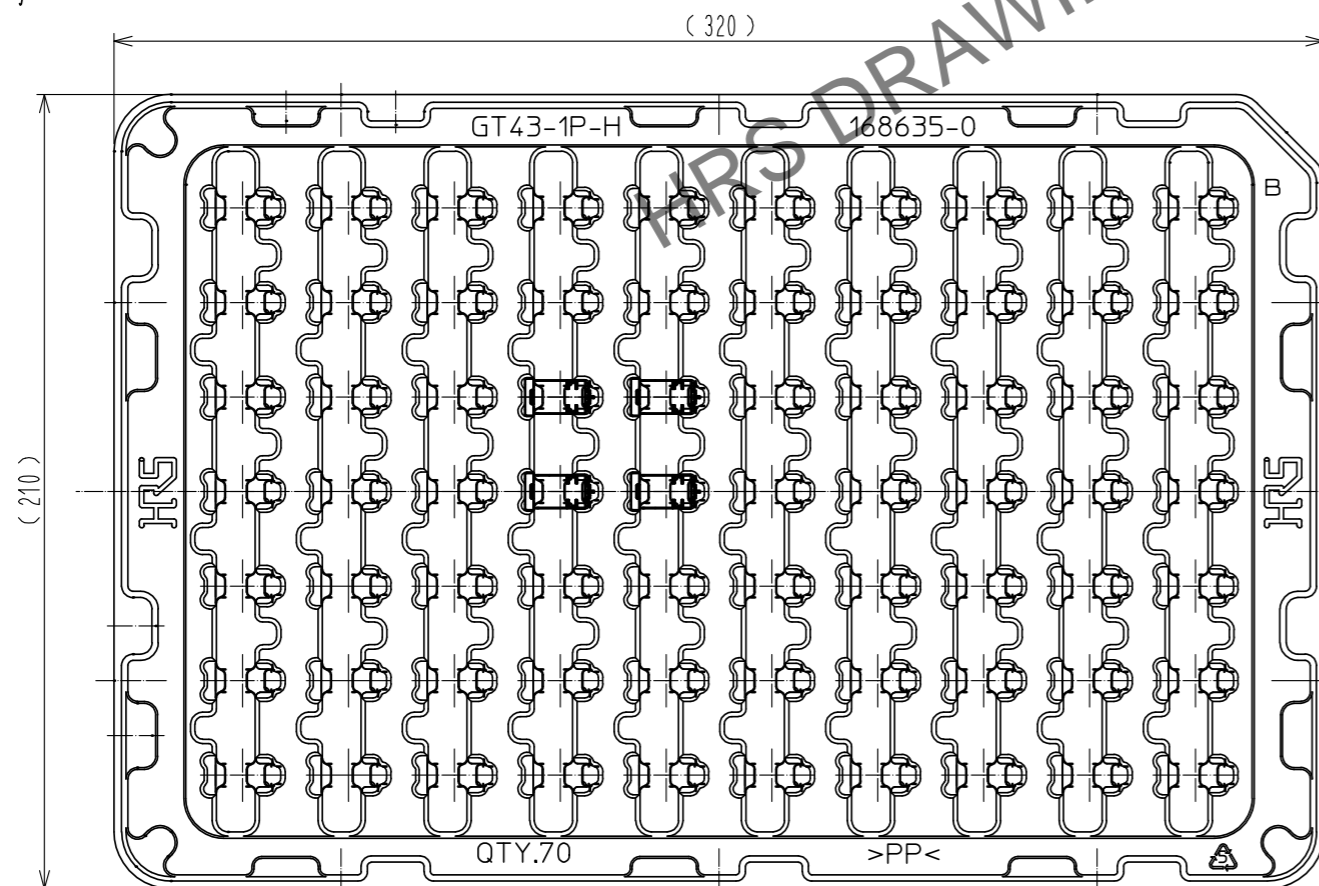
| 3 | Brass | Tin plating | | | | |
|-------------------------------|----------|------------------|----------|--------------|------------------|--------------------------|
| 2 | PA | Black | 5 | Copper alloy | Tin plating | |
| 1 | Brass | Tin plating | 4 | PA | Blue | |
| NO. | MATERIAL | FINISH . REMARKS | NO. | MATERIAL | FINISH . REMARKS | |
| UNITS | mm | SCALE | 2 : 1 | COUNT | 2 | DESCRIPTION OF REVISIONS |
| | | | | | | DIS-T-00003144 |
| APPROVED : KI. HIROKAWA | | | 17.06.30 | DESIGNED | | NK. IKUTA |
| CHECKED : KI. HIROKAWA | | | 17.06.30 | CHECKED | | KI. HIROKAWA |
| DESIGNED : NK. IKUTA | | | 17.06.30 | DATE | | 18.04.05 |
| DRAWN : GYEONGMIN LEE | | | 17.06.30 | DRAWING NO. | | EDC-377151-00-00 |
| HRS HIROSE ELECTRIC CO., LTD. | | | | PART NO. | | GT43-1P-H(CC) |
| | | | | CODE NO. | | CL753-1014-0-00 |

Mar.1.2026 Copyright 2026 HIROSE ELECTRIC CO., LTD. All Rights Reserved.
 In case of consideration for using Automotive equipment / device which demand high reliability, kindly contact our sales window correspondents.

tray A(1:2)

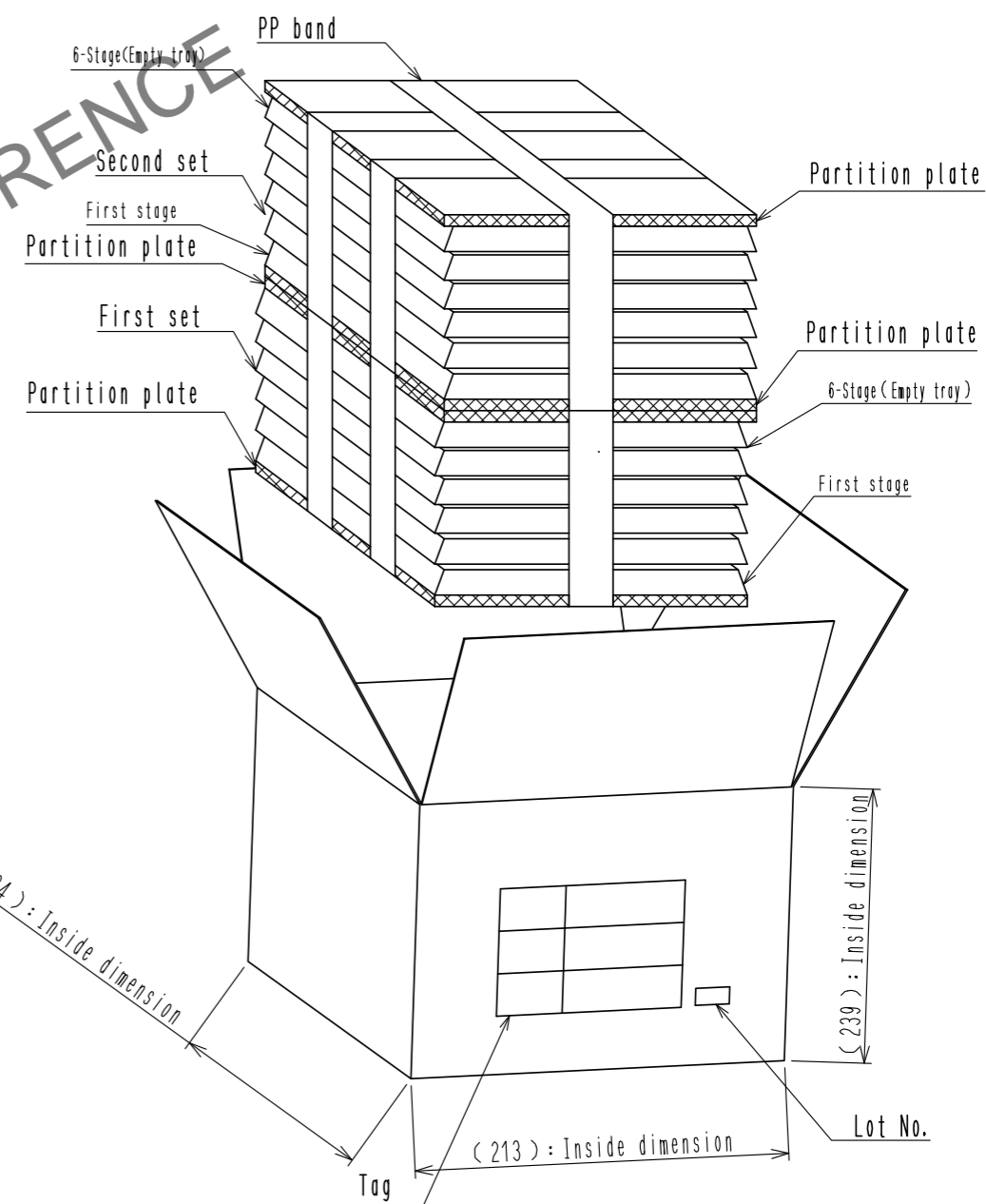


tray B(1:2)



Packing style

- ① Put the connector on the tray A and tray B.
- ② Stack tray A and tray B staggered. Top tray is empty.
1tray : 70pcs
- ③ Put two sets of cardboard.
Cardboard : 700pcs



| | | | |
|------------|-------------|------------------|-----|
| HRS | DRAWING NO. | EDC-377151-00-00 | 2/2 |
| | PART NO. | GT43-1P-H(C) | |
| | CODE NO. | CL753-1014-0-00 | |
| | | | |