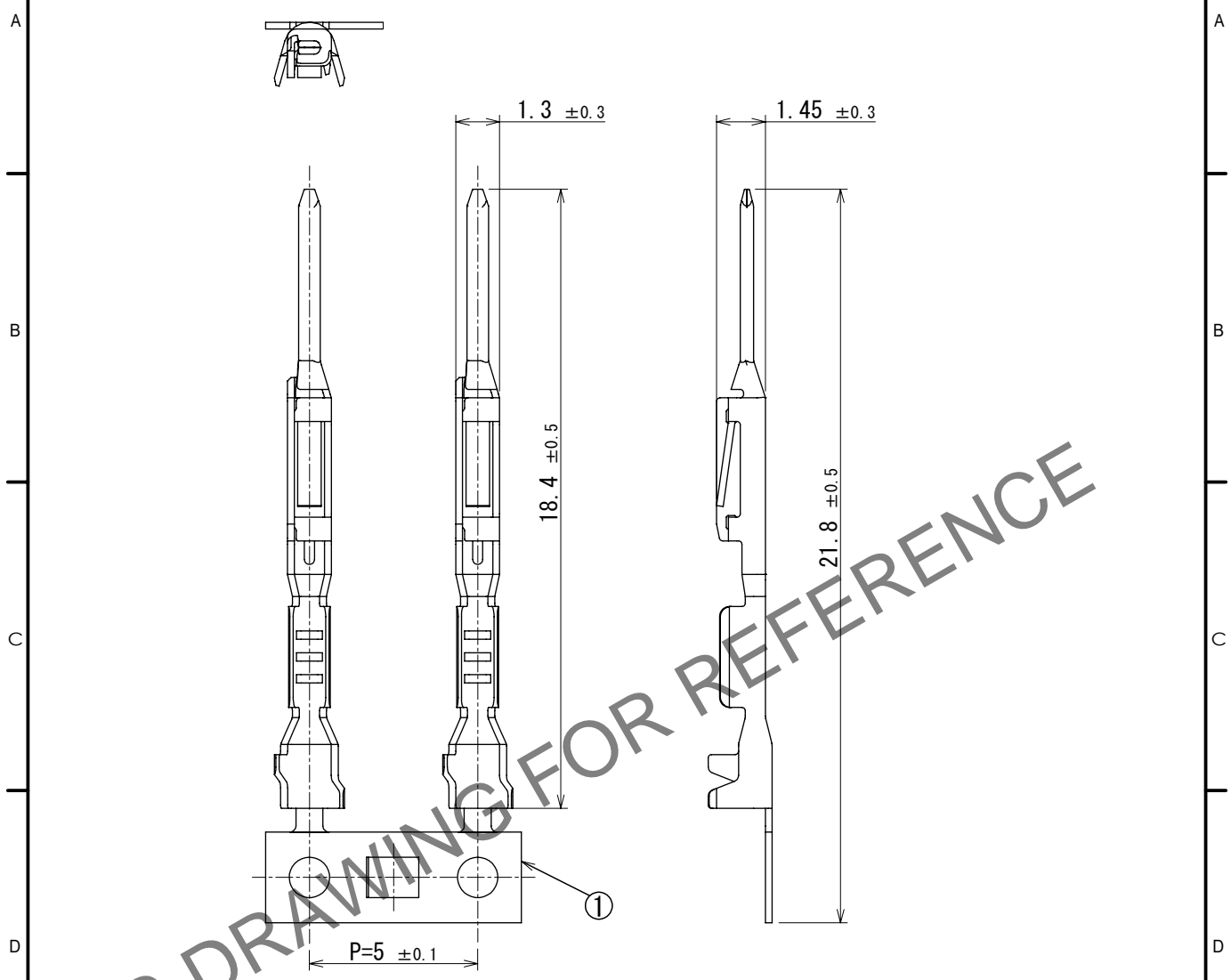
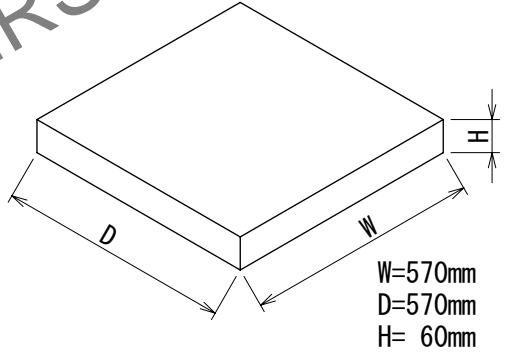


Dec.1.2024 Copyright 2024 HIROSE ELECTRIC CO., LTD. All Rights Reserved.
 In case of consideration for using Automotive equipment / device which demand high reliability, kindly contact our sales window correspondents.

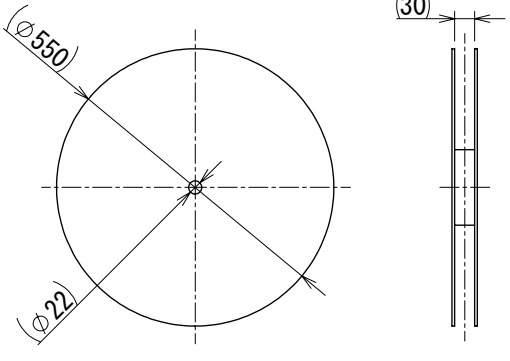
ELV, RoHS COMPLIANT



PACKING STYLE (FREE)



DRAWING FOR REEL (FREE)



Note 1. 15,000PCS/RL
 2. REGARDING HOW TO HANDLE THE PACKAGED PRODUCTS, PLEASE REFER TO THE ATAD-T0946-00 「INSTRUCTION MANUAL FOR HANDLING OF REEL PACKAGING CONTAINING CRIMP TERMINALS」

1	COPPER ALLOY	SURFACE PLATING:TIN 1μm min
		UNDER PLATING:COPPER 0.3μm min
NO.	MATERIAL	FINISH , REMARKS

UNITS mm		SCALE 5:1	COUNT	DESCRIPTION OF REVISIONS	DESIGNED	CHECKED	DATE

HIROSE ELECTRIC CO., LTD.	APPROVED : AH. EDASHIGE	2024. 07. 03	DRAWING NO.	EDC-404203-00-00
	CHECKED : TY. ISHIGURO	2024. 07. 03	PART NO.	ZH05-26PCF
	DESIGNED : AS. SHIBAHARA	2024. 07. 03	CODE NO.	CL0756-2004-0-00
	DRAWN : AS. SHIBAHARA	2024. 07. 03		