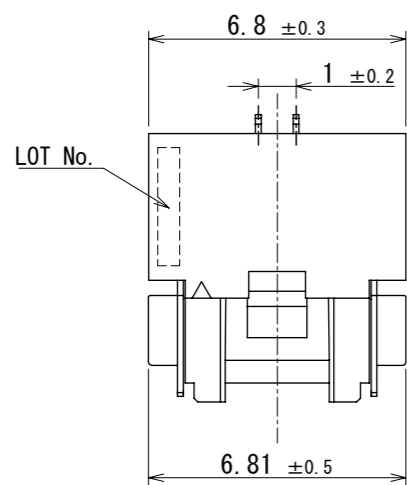
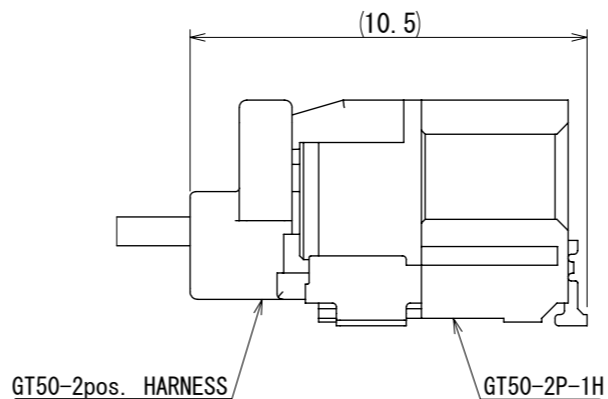


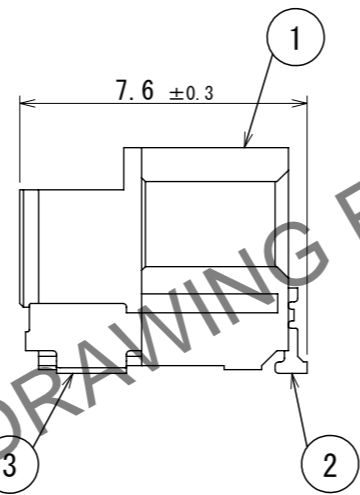
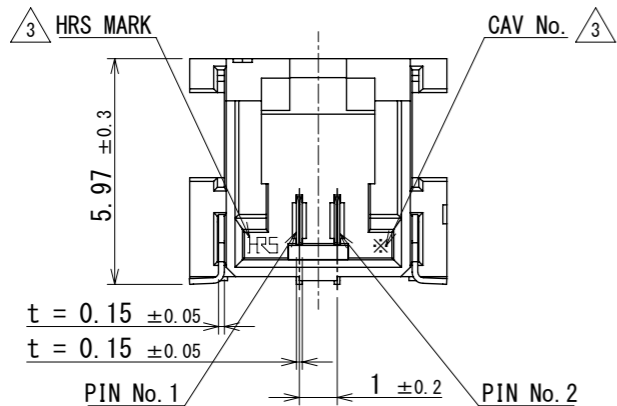
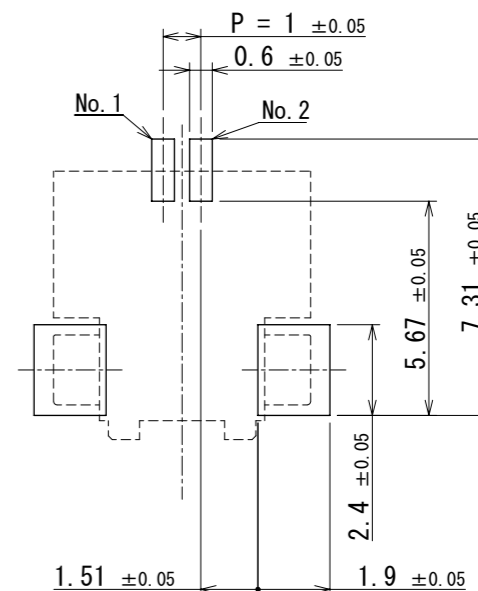
ELV. RoHS COMPLIANT



MATED CONNECTORS (FREE)



RECOMMENDED PCB PATTERN (FREE)
OPEN AREA RATIO : 100%

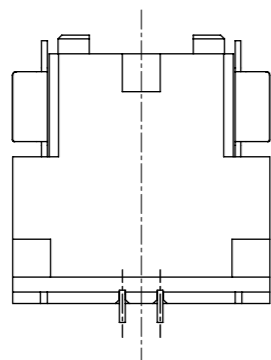
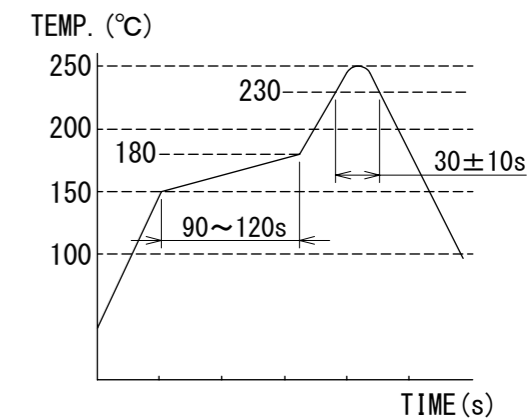


HRS DRAWING FOR REFERENCE

NOTE 1. RECOMMENDED TEMPERATURE PROFILE FOR REFLOW
(REFER TO RIGHT FIG.)
USED REFLOW SYSTEM

- NO. OF CYCLES : 2 MAX
- PEAK : 250°C
- OVER 230°C : 20~40s
- PREHEAT : 150~180°C
- 90~120s

- △ 2. TEMPERATURE FOR SOLDERING IRON : 350~380°C WITHIN 5s
- 3. CO-PLANARITY : 0.1mm MAX
- 4. RECOMMENDED SOLDER THICKNESS : 0.10mm



| 3 | BRASS | TIN PLATING | 6 | POLYSTYRENE | | | |
|-------------|----------|------------------|---------|-------------|----------|----------------------------|----------------|
| 2 | BRASS | Au PLATING | 5 | POLYESTER | | | |
| 1 | LCP | BLACK | 4 | POLYSTYRENE | | | |
| NO. | MATERIAL | FINISH | REMARKS | NO. | MATERIAL | FINISH | REMARKS |
| UNITS | mm | SCALE | 5:1 | COUNT | 4 | DESCRIPTION OF REVISIONS | DIS-T-00020330 |
| DESIGNED | | RS. TAKAGI | | CHECKED | | HH. TSUKUMO | |
| DATE | | 2024. 03. 05 | | APPROVED | | HK. UMEHARA 2020. 12. 24 | |
| DRAWING NO. | | EDC-392585-00-00 | | CHECKED | | OM. MIYAMOTO 2020. 12. 24 | |
| PART NO. | | GT50-2P-1H | | DESIGNED | | YT. TAKANASHI 2020. 12. 22 | |
| CODE NO. | | CL0760-1002-0-00 | | DRAWN | | YT. TAKANASHI 2020. 12. 22 | |

HRS HIROSE ELECTRIC CO., LTD.

1/2

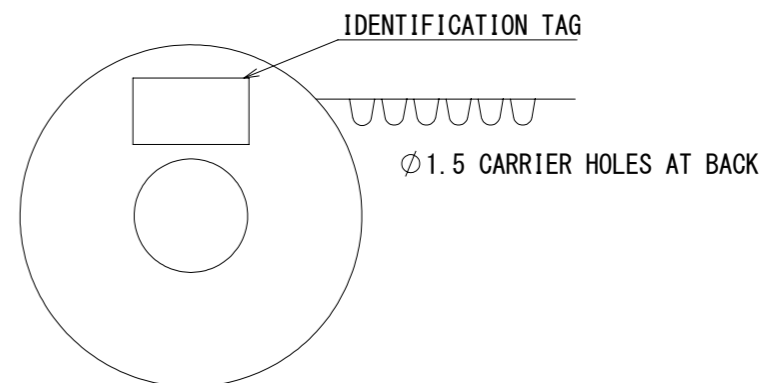
In case of consideration for using Automotive equipment / device which demand high reliability, kindly contact our sales window correspondents.

May.1.2024 Copyright 2024 HIROSE ELECTRIC CO., LTD. All Rights Reserved.

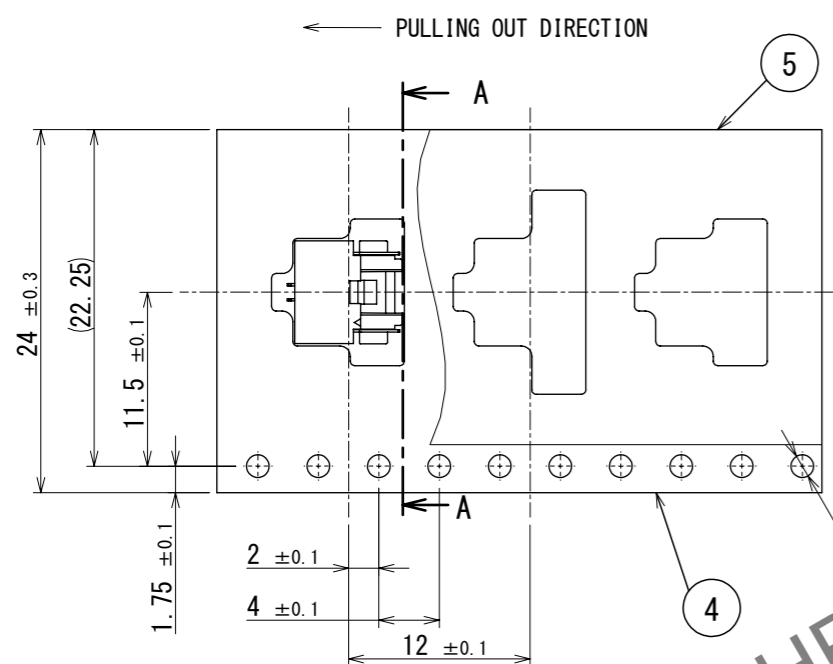
May.1.2024 Copyright 2024 HIROSE ELECTRIC CO., LTD. All Rights Reserved.
In case of consideration for using Automotive equipment / device which demand high reliability, kindly contact our sales window correspondents.

PACKING STYLE (FREE)

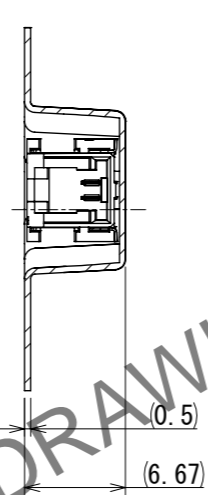
REEL DIMENSION



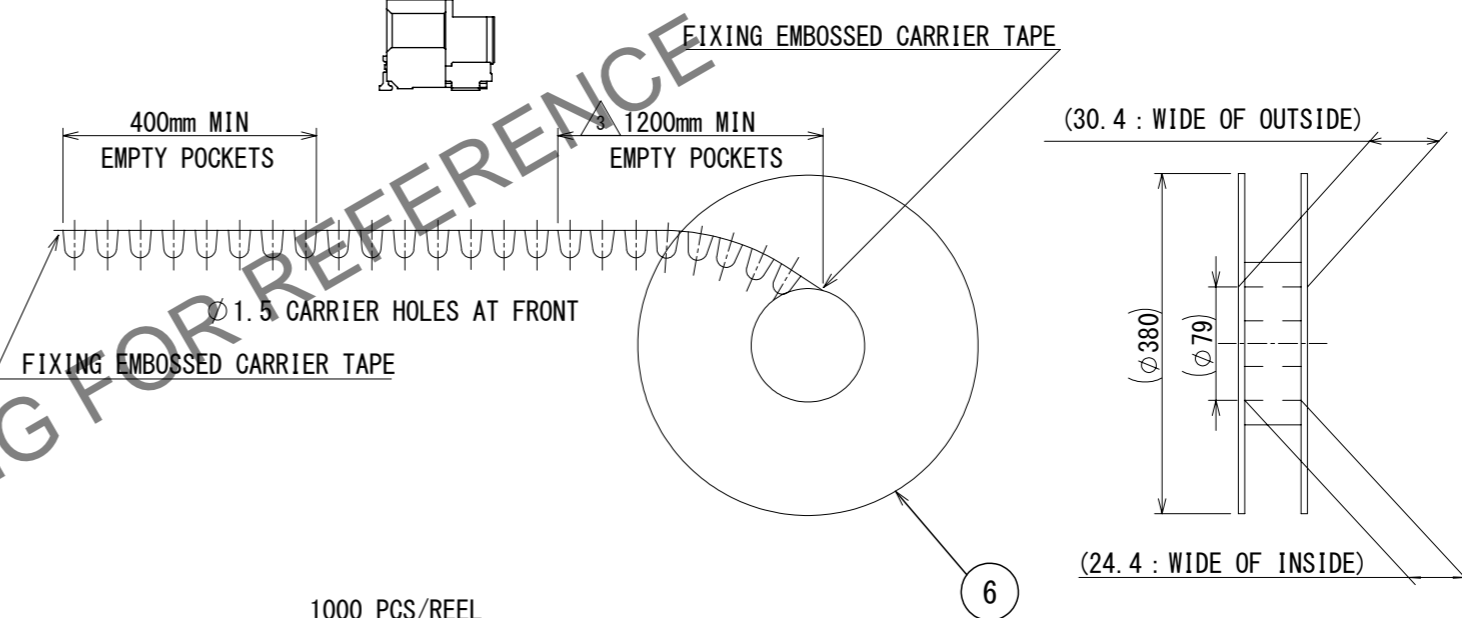
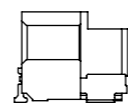
PACKING STYLE DRAWING



A-A



PRODUCTS DIRECTION

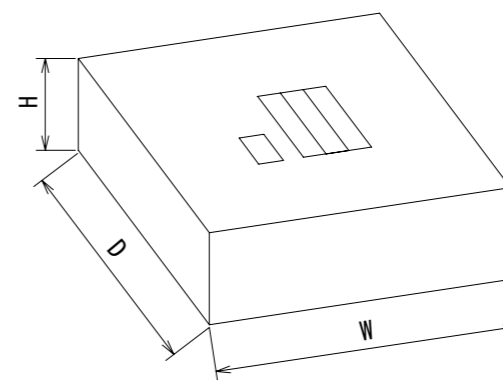


1000 PCS/REEL

※Embossed pocket has a different shape to prevent overlapping, and the drawing shows a representative shape.

CARDBOARD DIMENSION

W = (405) (mm)
D = (405) (mm)
H = (31) (mm)



| | |
|-------------|------------------|
| DRAWING NO. | EDC-392585-00-00 |
| PART NO. | GT50-2P-1H |
| CODE NO. | CL0760-1002-0-00 |

3/2