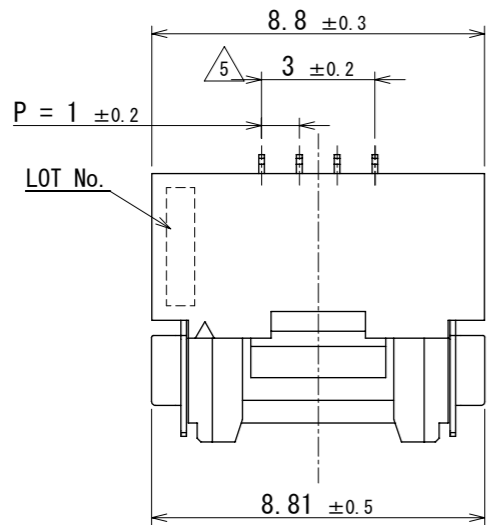
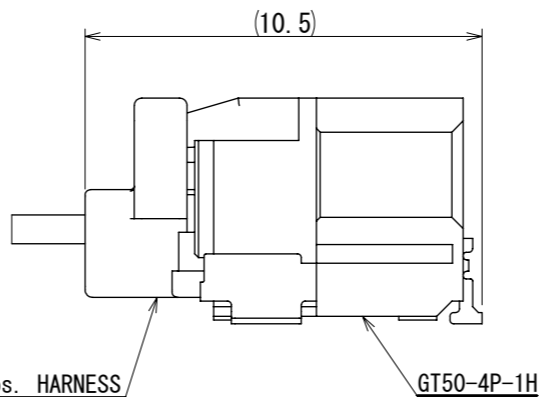


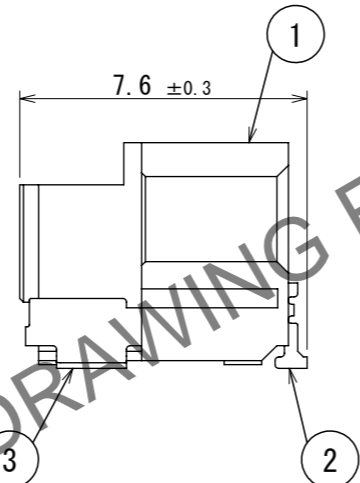
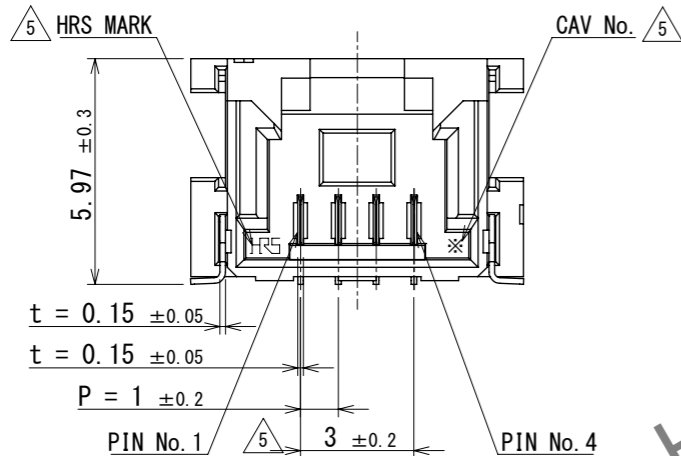
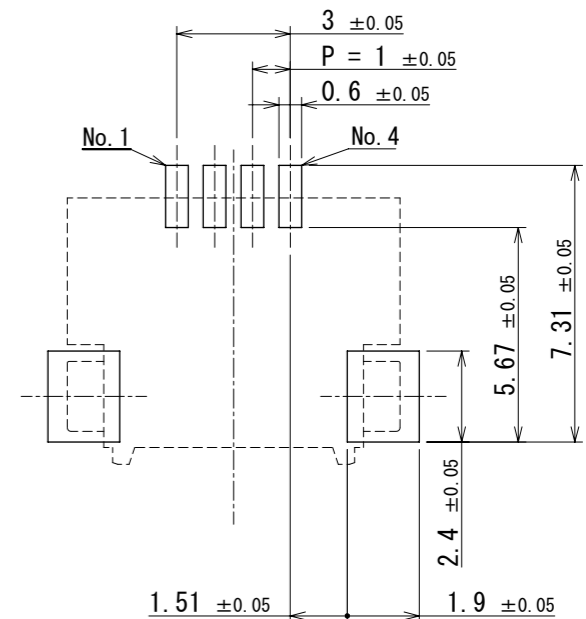
ELV. RoHS COMPLIANT



MATED CONNECTORS (FREE)



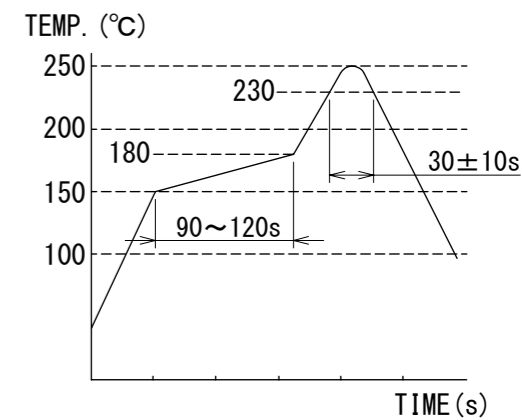
RECOMMENDED PCB PATTERN (FREE)
OPEN AREA RATIO : 100%



HRS DRAWING FOR REFERENCE

NOTE 1. RECOMMENDED TEMPERATURE PROFILE FOR REFLOW
(REFER TO RIGHT FIG.)
USED REFLOW SYSTEM

- NO. OF CYCLES : 2 MAX
- PEAK : 250°C
- OVER 230°C : 20~40s
- PREHEAT : 150~180°C
- 90~120s



- △ 2. TEMPERATURE FOR SOLDERING IRON : 350~380°C WITHIN 5s
- 3. CO-PLANARITY : 0.1mm MAX
- 4. RECOMMENDED SOLDER THICKNESS : 0.10mm

3	BRASS	TIN PLATING	6	POLYSTYRENE			
2	BRASS	Au PLATING	5	POLYESTER			
1	LCP	BLACK	4	POLYSTYRENE			
NO.	MATERIAL	FINISH	REMARKS	NO.	MATERIAL	FINISH	REMARKS
UNITS	mm	SCALE	5:1	COUNT	6	DESCRIPTION OF REVISIONS	DIS-T-00020330
DESIGNED		RS. TAKAGI		CHECKED		HH. TSUKUMO	
DATE		2024. 03. 05		APPROVED		HK. UMEHARA 2021. 06. 24	
DRAWING NO.		EDC-392587-00-00		CHECKED		OM. MIYAMOTO 2021. 06. 24	
PART NO.		GT50-4P-1H		DESIGNED		YT. TAKANASHI 2021. 06. 24	
CODE NO.		CL0760-1004-0-00		DRAWN		YT. TAKANASHI 2021. 06. 24	

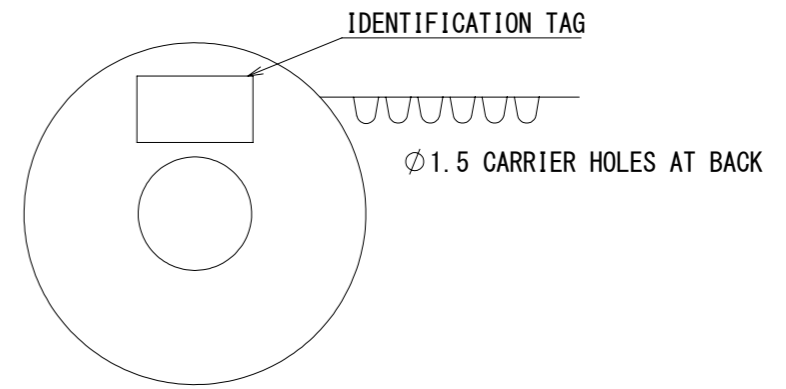
HRS HIROSE ELECTRIC CO., LTD.

Apr.1.2025 Copyright 2025 HIROSE ELECTRIC CO., LTD. All Rights Reserved. In case of consideration for using Automotive equipment / device which demand high reliability, kindly contact our sales window correspondents.

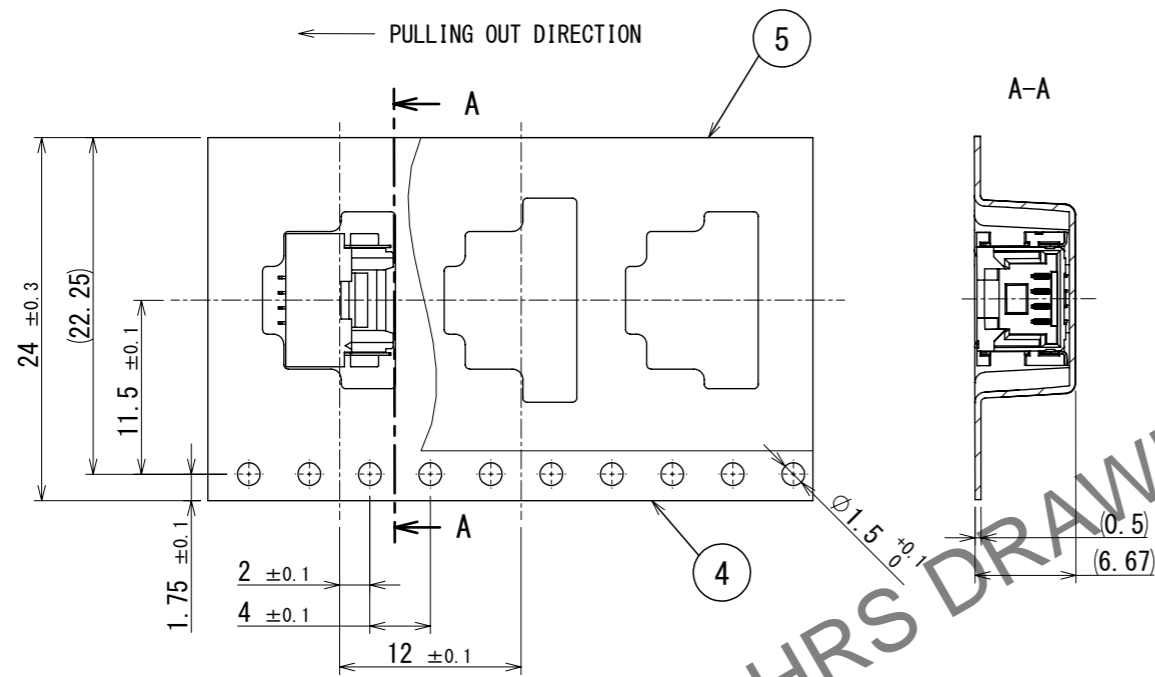
Apr.1.2025 Copyright 2025 HIROSE ELECTRIC CO., LTD. All Rights Reserved.
 In case of consideration for using Automotive equipment / device which demand high reliability, kindly contact our sales window correspondents.

PACKING STYLE (FREE)

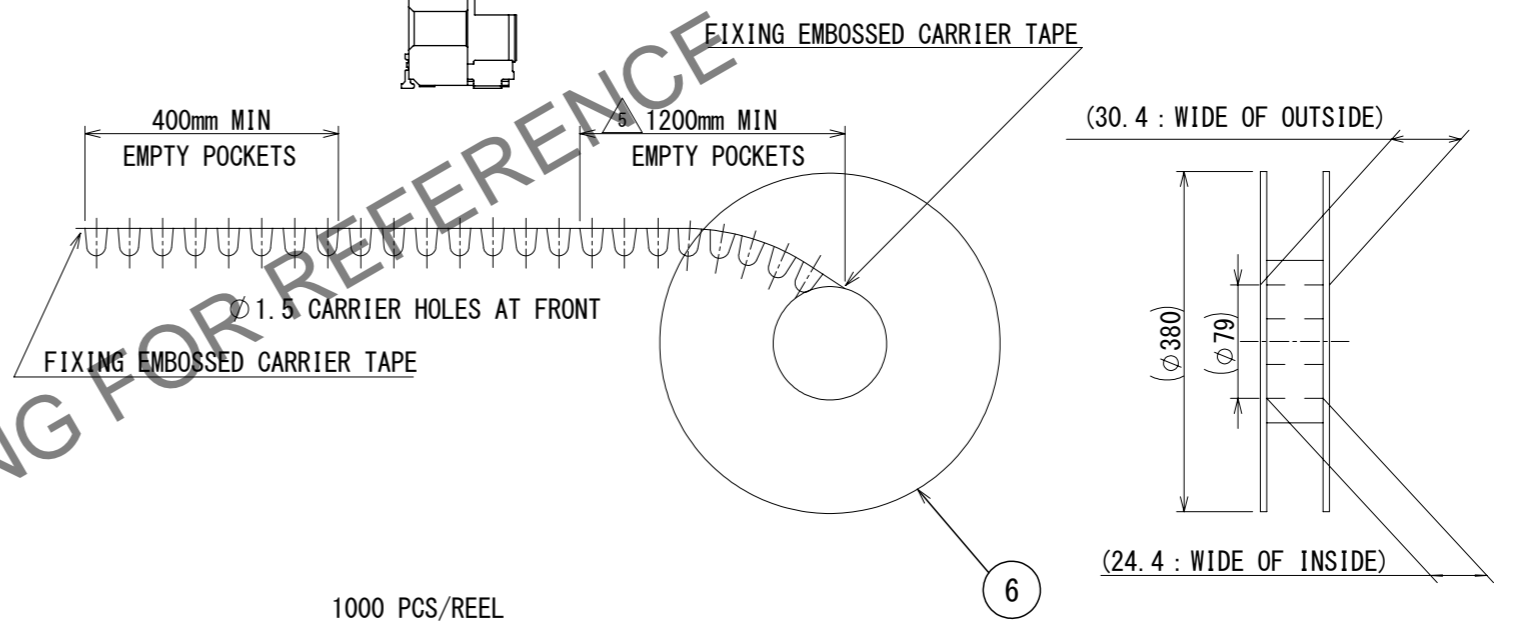
REEL DIMENSION



PACKING STYLE DRAWING



PRODUCTS DIRECTION

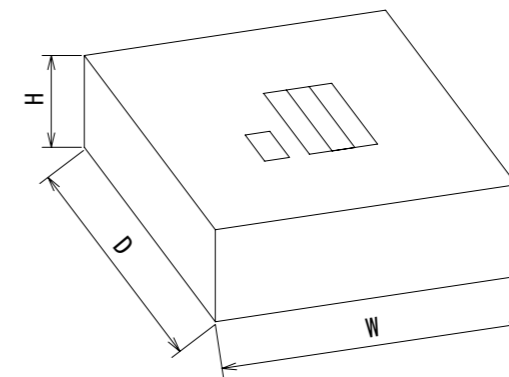


1000 PCS/REEL

※Embossed pocket has a different shape to prevent overlapping, and the drawing shows a representative shape.

CARDBOARD DIMENSION

W = (405) (mm)
 D = (405) (mm)
 H = (31) (mm)



HRS	DRAWING NO.	EDC-392587-00-00	2/2
	PART NO.	GT50-4P-1H	
	CODE NO.	CL0760-1004-0-00	
	NO.		