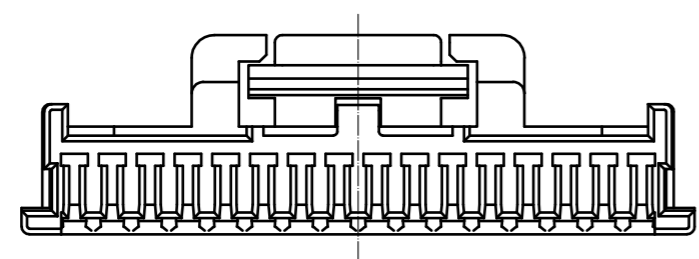
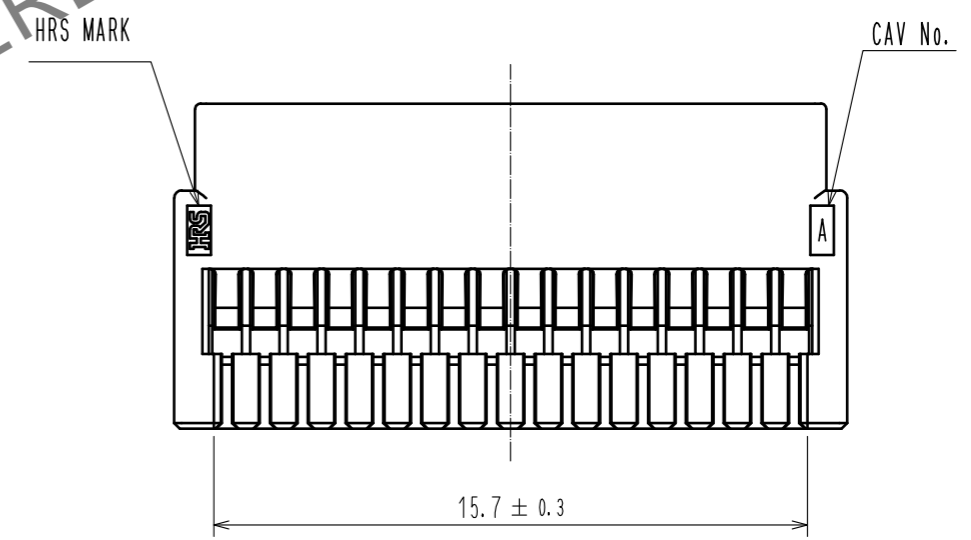
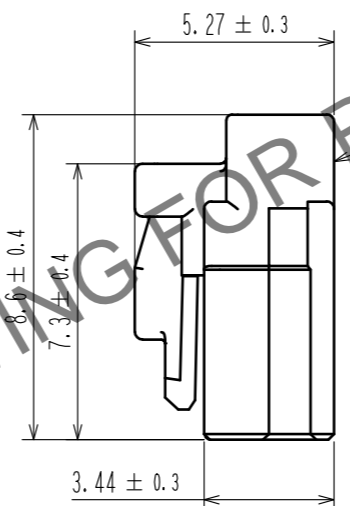
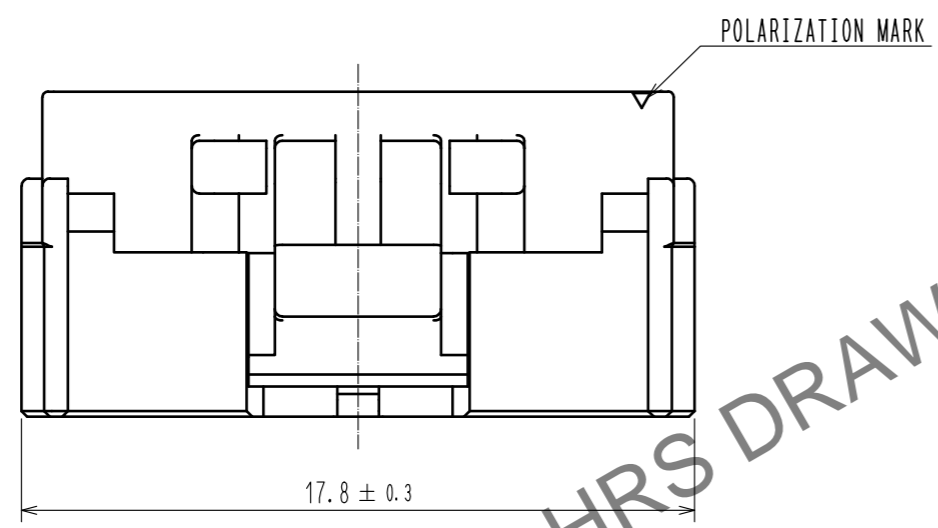
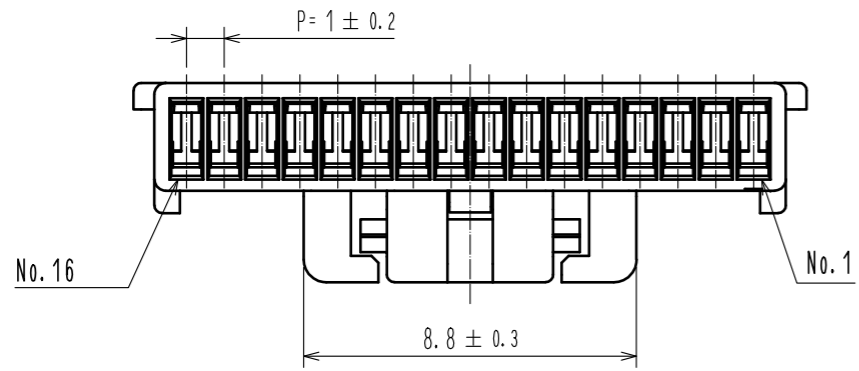


May.1.2024 Copyright 2024 HIROSE ELECTRIC CO., LTD. All Rights Reserved.
 In case of consideration for using Automotive equipment / device which demand high reliability, kindly contact our sales window correspondents.

ELV, RoHS COMPLIANT



NOTE1. PER PACK : 100 PIECES

| | | | | | | | | | | | | | |
|---------------------------|--|--------------------------|--|------------------|--|--------------------------|--|------------------|--|----------------|--|------|--|
| NO. | | MATERIAL | | FINISH . REMARKS | | 1 | | PBT | | UL94V-0. BLACK | | | |
| UNITS | | SCALE | | COUNT | | DESCRIPTION OF REVISIONS | | DESIGNED | | CHECKED | | DATE | |
| mm | | 5 : 1 | | △ | | | | | | | | | |
| HIROSE ELECTRIC CO., LTD. | | APPROVED : HK. UMEHARA | | 20200806 | | DRAWING NO. | | EDC-392596-00-00 | | | | | |
| | | CHECKED : OM. MIYAMOTO | | 20200805 | | PART NO. | | GT50-16S-1C | | | | | |
| | | DESIGNED : YT. TAKANASHI | | 20200805 | | CODE NO. | | CL760-1013-0-00 | | | | | |
| | | DRAWN : GY. YOON | | 20200805 | | | | | | | | | |