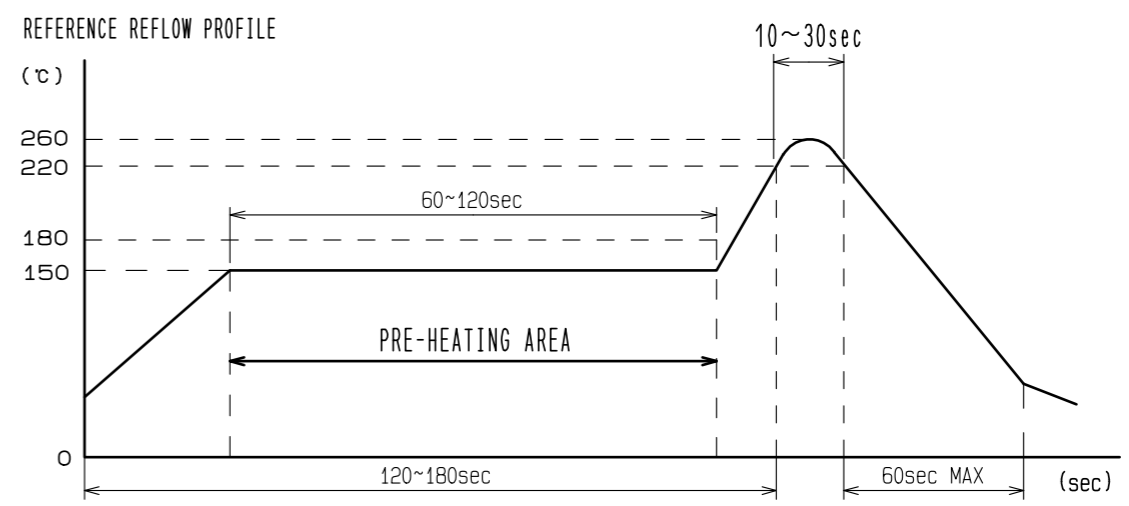
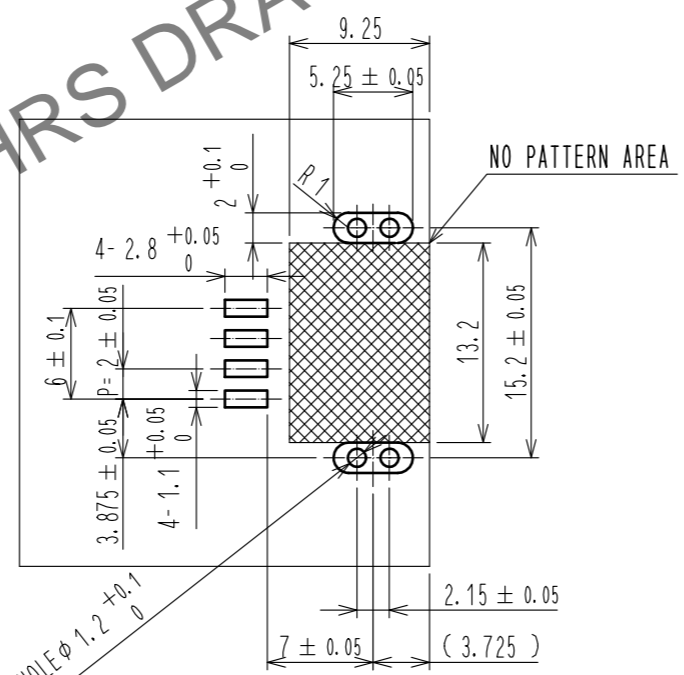
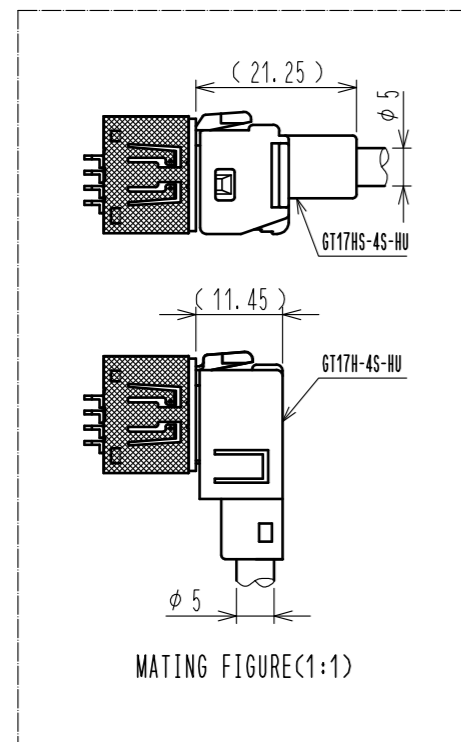
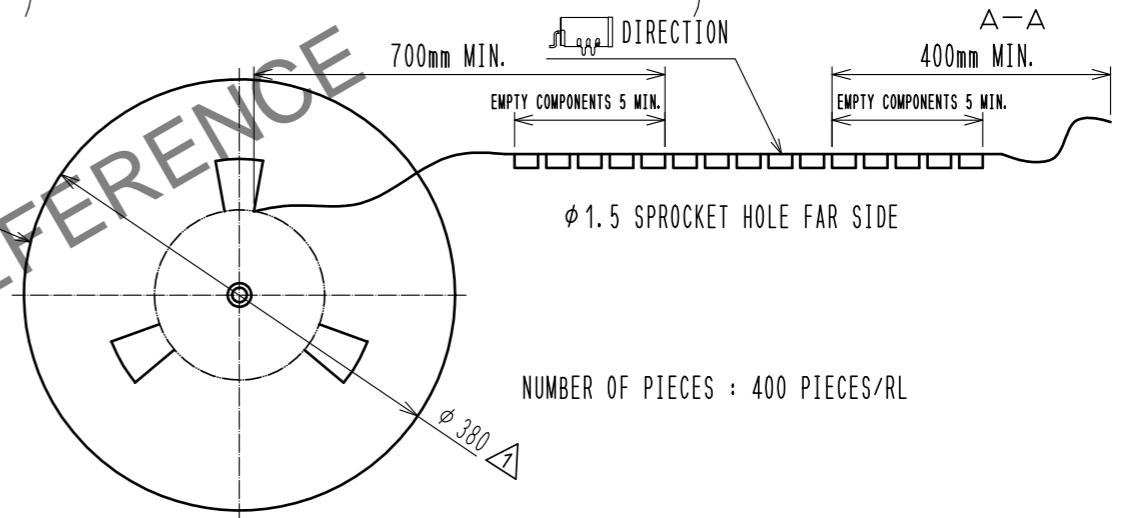
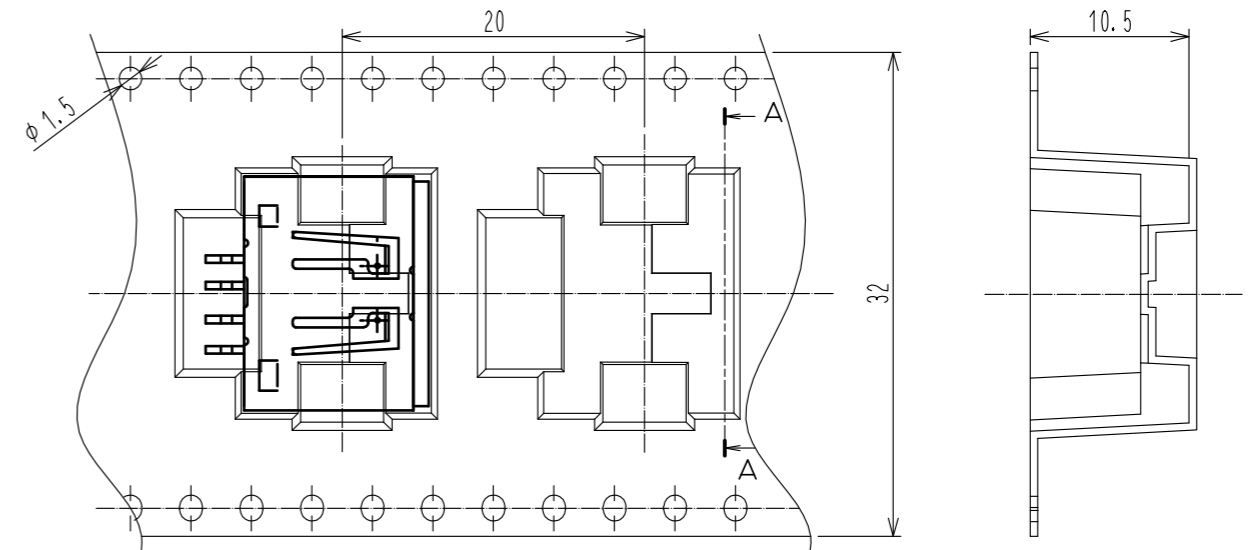
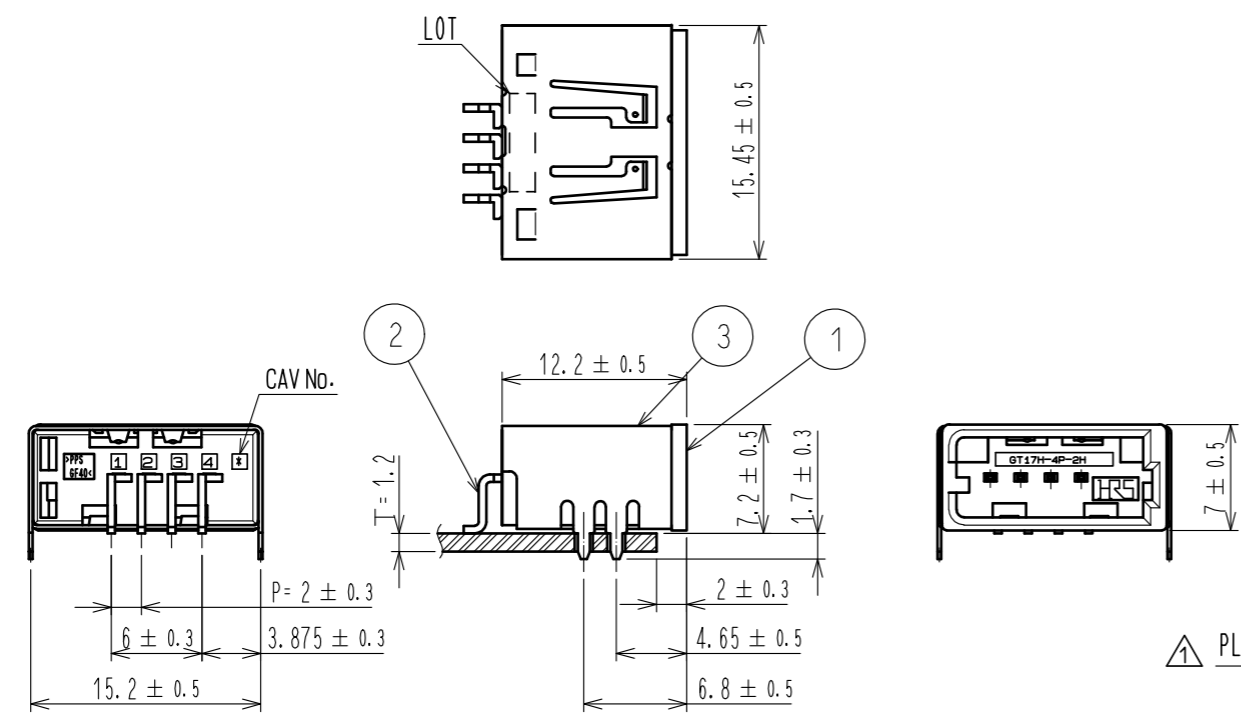


Apr.1.2025 Copyright 2025 HIROSE ELECTRIC CO., LTD. All Rights Reserved.
In case of consideration for using Automotive equipment / device which demand high reliability, kindly contact our sales window correspondents.

ELV. RoHS COMPLIANT

EMBOSSED CARRIER TAPE PACKAGING



NOTE 1 REFLOW IS POSSIBLE TO 2 TIMES
2 TEMPERATURE NEAR CONNECTOR LEAD

RECOMMENDED PATTERN
RECOMMENDED BOARD THICKNESS T=1.2mm

2	BRASS	TIN PLATING			
1	PPS	LIGHT GRAY	3	COPPER ALLOY	TIN PLATING
NO.	MATERIAL	FINISH . REMARKS	NO.	MATERIAL	FINISH . REMARKS
UNITS mm		SCALE 2 : 1	COUNT 2	DESCRIPTION OF REVISIONS DIS-T-00006678	DESIGNED TS. KUBOTA
APPROVED : KI. HIROKAWA		20200326	DRAWING NO. EDC-166354-56-00		
CHECKED : EJ. WAKATSUKI		20200325	PART NO. GT17H-4P-2H(56)		
DESIGNED : TS. KUBOTA		20200325	CODE NO. CL767-0083-3-56		
DRAWN : YK. MITSUISHI		20200219	1/1		