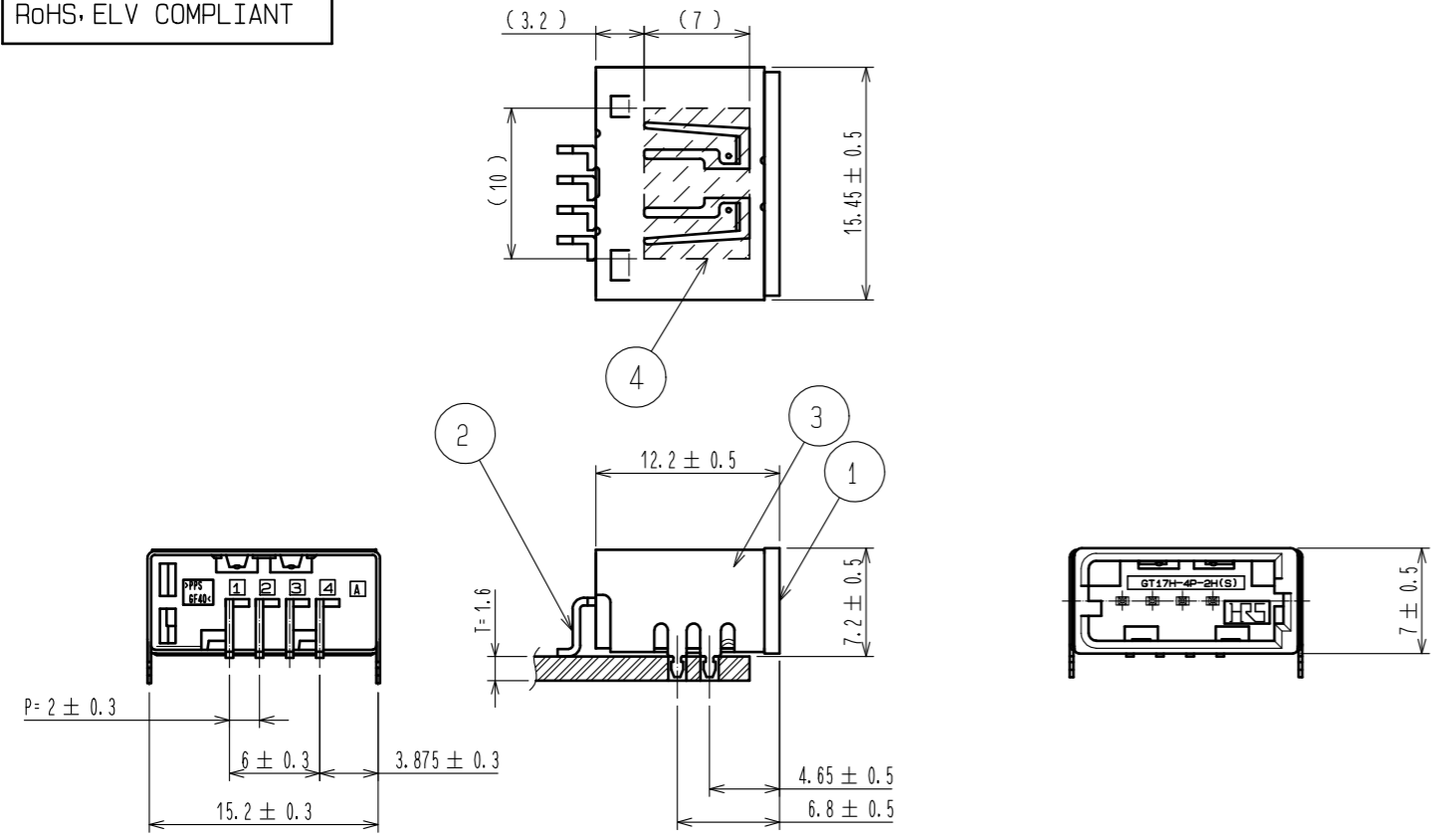
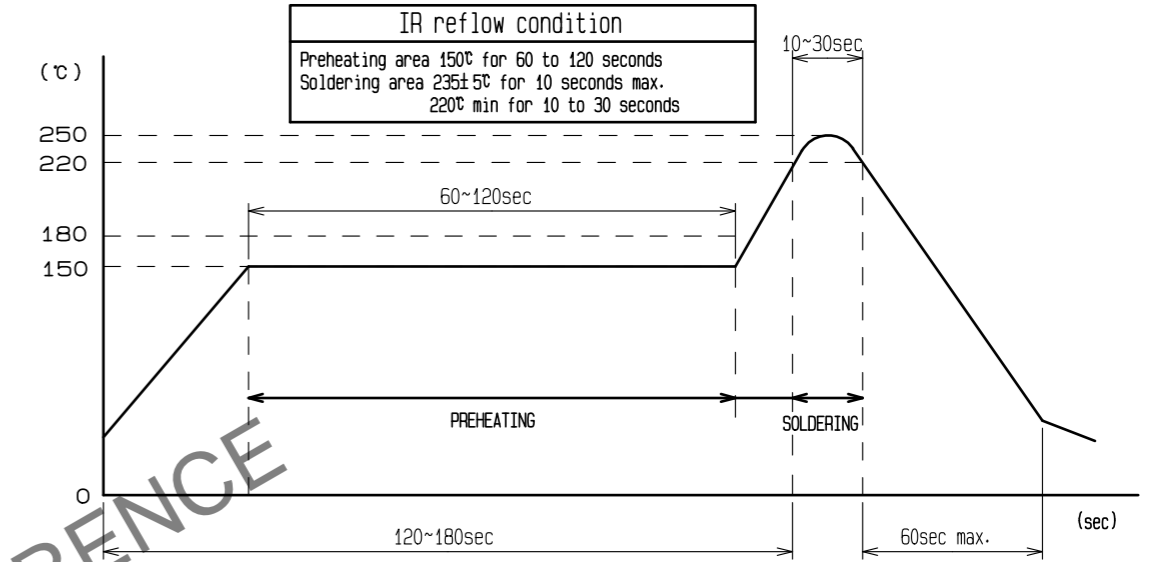


Sep.1.2024 Copyright 2024 HIROSE ELECTRIC CO., LTD. All Rights Reserved.
In case of consideration for using Automotive equipment / device which demand high reliability, kindly contact our sales window correspondents.

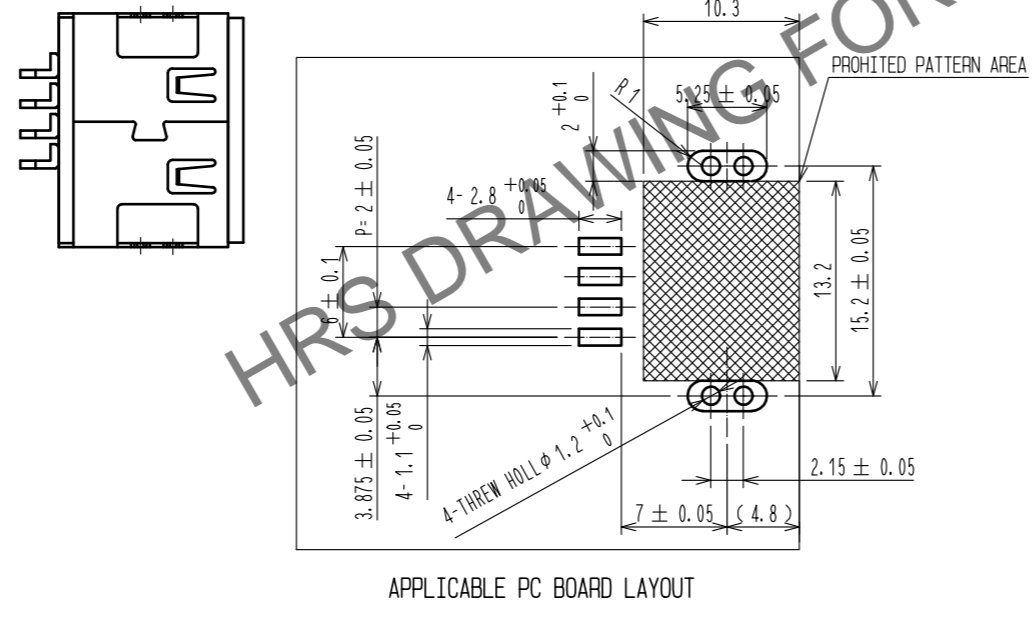
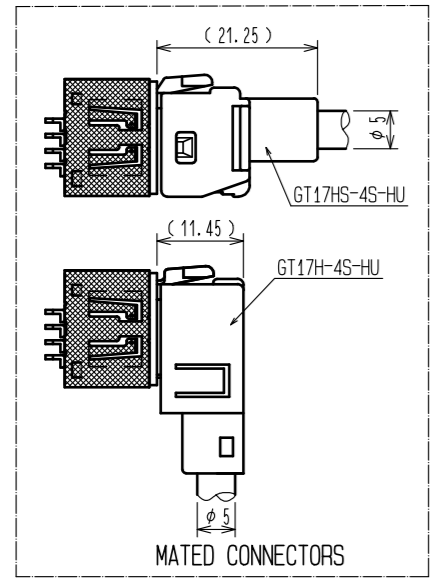
RoHS, ELV COMPLIANT



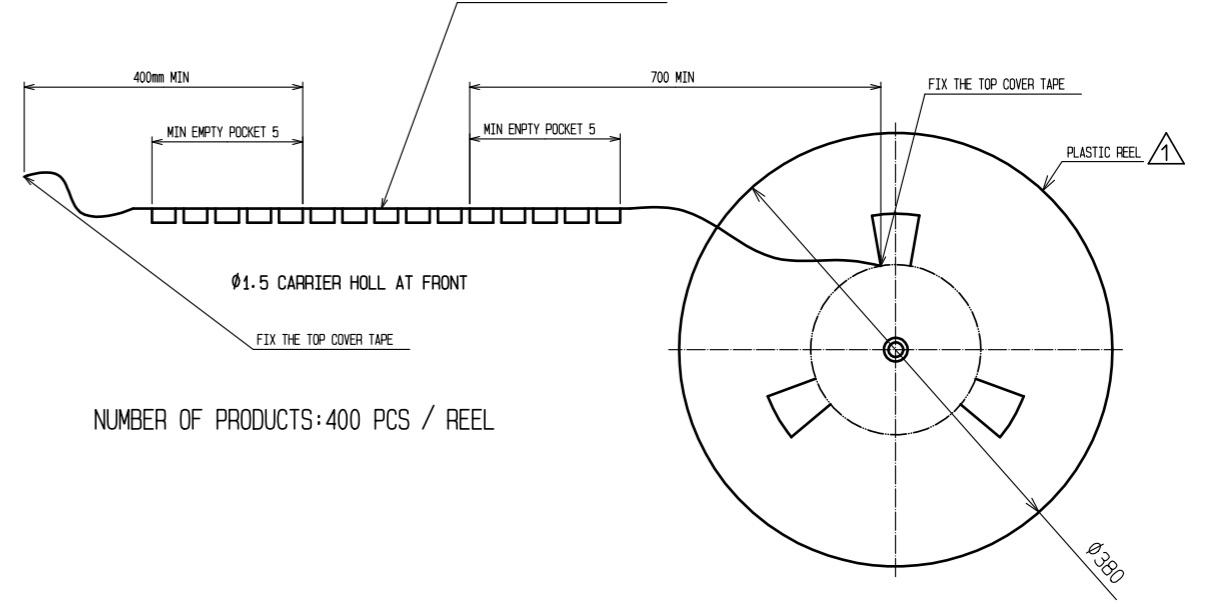
RECOMMENDED REFLOW PROFILE



Note1. The soldering process is allowed up to twice under the same condition. However, the interval between the first and second process must be maintained at the room temperature.
Note2. The temperature indicates the board surface temperature on the connector lead area.



PACKAGEING STYLE



CL767-0083-3 GT17H-4P-2H COLOR : LIGHT GRAY	CL767-0170-6 GT17H-4P-2H(A) COLOR : BROWN	CL767-0171-9 GT17H-4P-2H(B) COLOR : GREEN	CL767-0172-1 GT17H-4P-2H(C) COLOR : BLUE
MATING INSULATOR : CL767-0084-6 GT17H-4S-2C COLOR : LIGHT GRAY	MATING INSULATOR : CL767-0167-1 GT17H-4S-2C(A) COLOR : BROWN	MATING INSULATOR : CL767-0168-4 GT17H-4S-2C(B) COLOR : GREEN	MATING INSULATOR : CL767-0169-7 GT17H-4S-2C(C) COLOR : BLUE

2	BRASS	Ni 1μm + Sn PLATING 2μm	4	POLYIMIDE	PICK & PLACE TAPE		
1	PPS	LIGHT GRAY	3	COPPER ALLOY	Sn PLATING 1μm		
NO.	MATERIAL	FINISH . REMARKS	NO.	MATERIAL	FINISH . REMARKS		
UNITS mm		SCALE 2 : 1	COUNT 1	DESCRIPTION OF REVISIONS DIS-T-00006678	DESIGNED TS. KUBOTA	CHECKED EJ. WAKATSUKI	DATE 20200909
		APPROVED : KI. HIROKAWA	20200331	DRAWING NO. EDC-166354-75-00			
		CHECKED : EJ. WAKATSUKI	20200327	PART NO. GT17H-4P-2H(75)			
		DESIGNED : TS. KUBOTA	20200325	CODE NO. CL767-0083-3-75			
		DRAWN : YK. MITSUISHI	20200311				