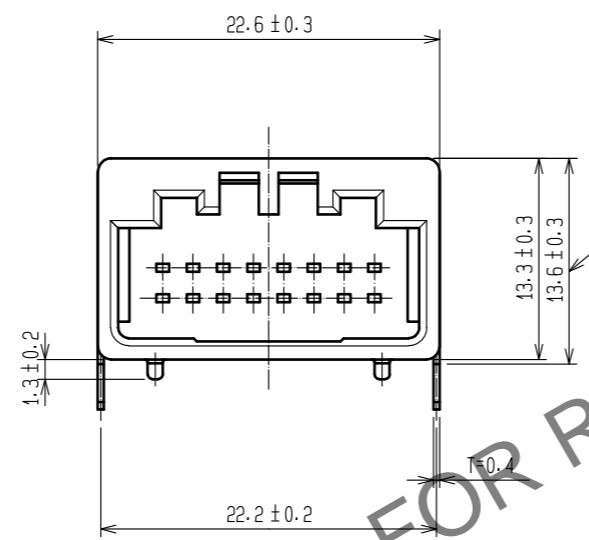
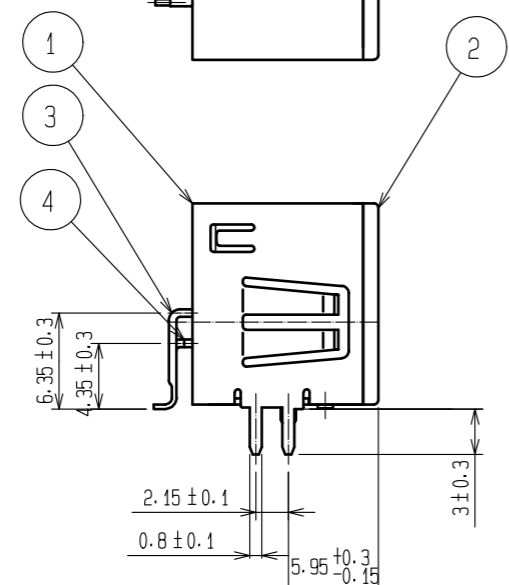
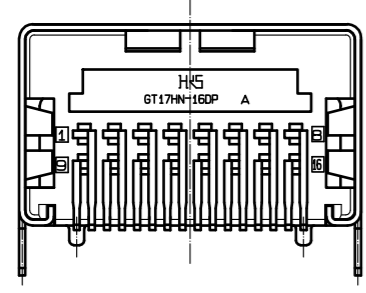
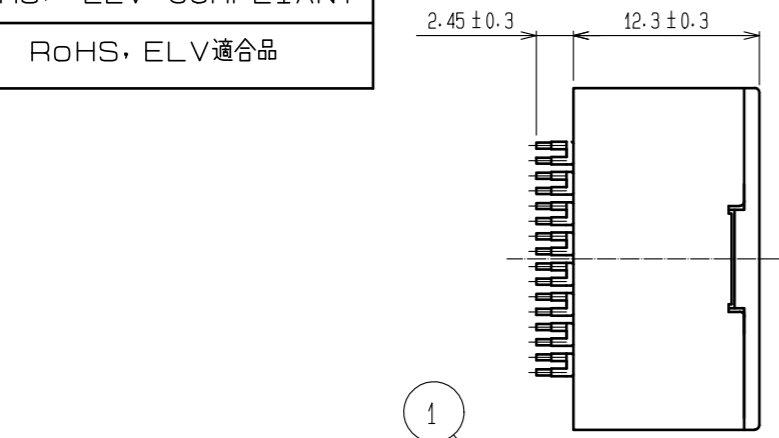
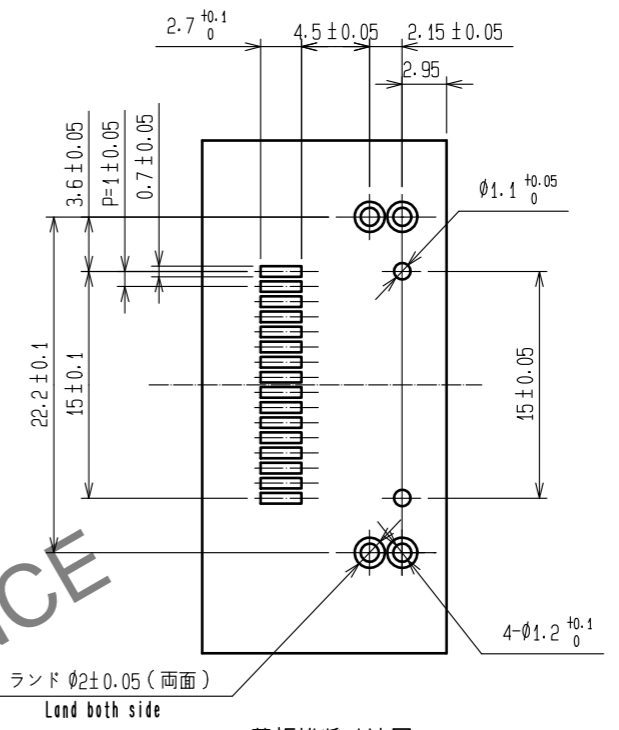


Sep.1.2024 Copyright 2024 HIROSE ELECTRIC CO., LTD. All Rights Reserved.
In case of consideration for using Automotive equipment / device which demand high reliability, kindly contact our sales window correspondents.

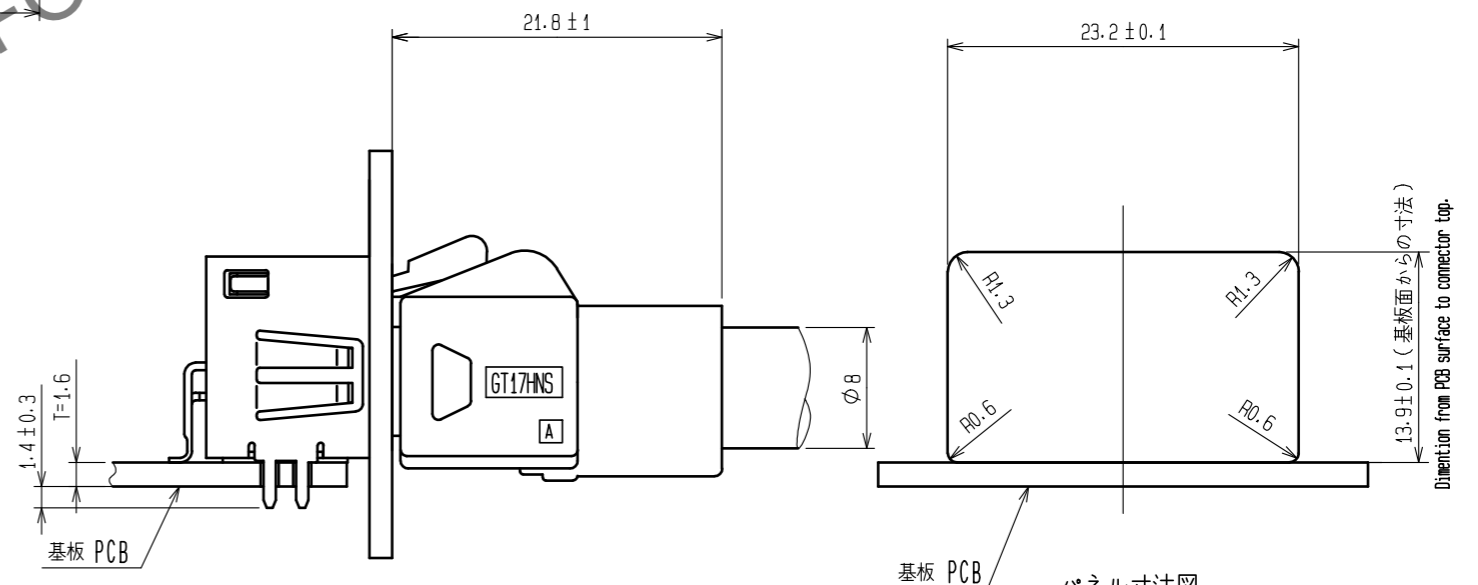
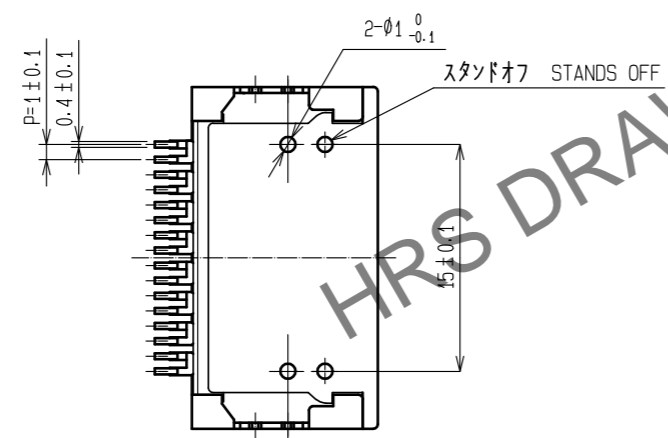
RoHS, ELV COMPLIANT
RoHS, ELV適合品



基板実装面からコネクタ上面までの寸法
Dimension from PCB surface to connector top.

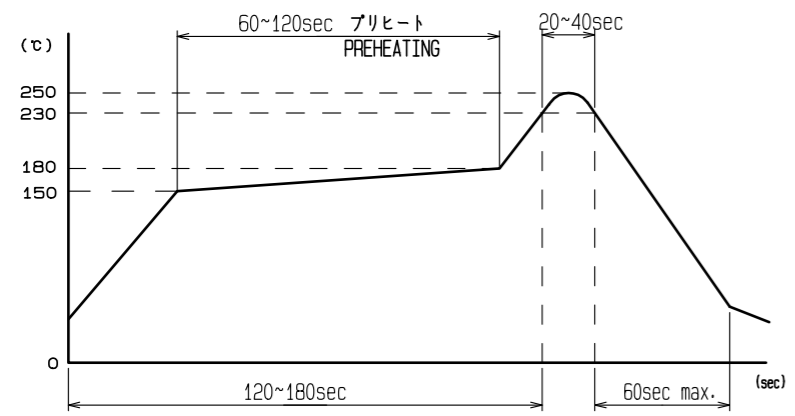


基板推奨寸法図
Recommended PCB layout



嵌合状態図
Mated connectors

パネル寸法図
Panel layout



RECOMMENDED REFLOW PROFILE

IR reflow condition	IR リフロー条件
Preheating area 150°C for 60 to 120 seconds	予熱時間: 60~120秒, 150°C
Peak Temperature: 250°C	リフロー温度: 230~250°C
Soldering area 235±5°C or 10 seconds max.	230°C以上: 10~30秒
230°C min. for 10 to 30 seconds	

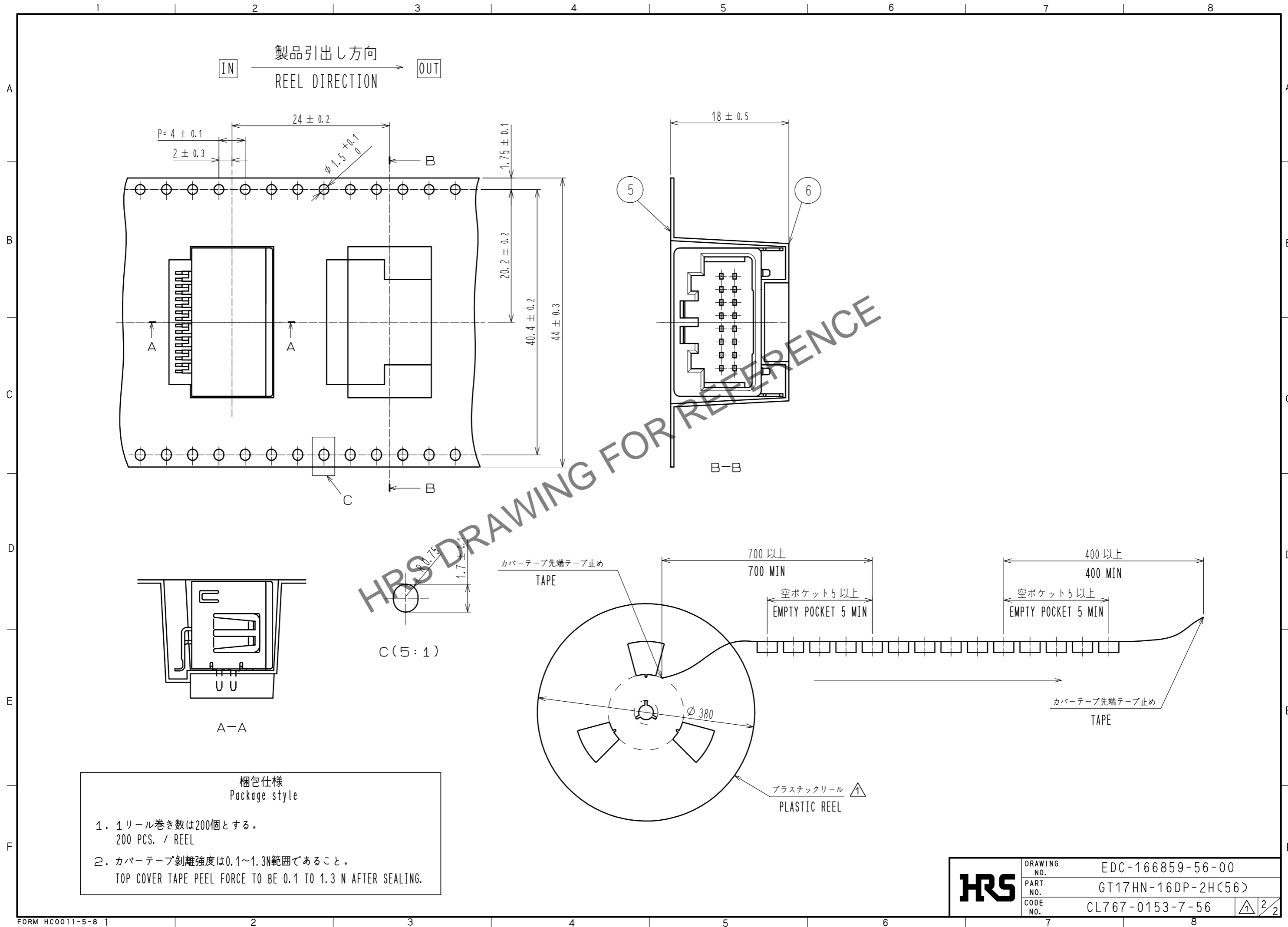
- Note1. The soldering process is allowed up to twice under the same condition. However, the interval between the first and second process must be maintained at the room temperature.
リフロー回数: 2回。但し、2回目のリフローにおいては、一度、室温に戻すこと。
- Note2. The temperature indicates the board surface temperature on the connector lead area.
リフロー温度の測定は、コネクタリード部の基板表面温度を測定のこと。
- Note3. Hand soldering: 280~300°C, 2s max.
手半田温度: 280~300°C、2s以内
- Note4. Coplanarity: 0.1 max.
端子平坦度: 0.1以下
- Note5. Recommended thickness of PCB: 1.6mm
推奨基板厚: 1.6mm

NO.	MATERIAL	FINISH . REMARKS	NO.	MATERIAL	FINISH . REMARKS
3	BRASS	TIN PLATING	6	PS	
2	PPS	LIGHT GRAY	5	PS	
1	COPPER ALLOY	TIN PLATING	4	BRASS	TIN PLATING

UNITS	SCALE	COUNT	DESCRIPTION OF REVISIONS	DESIGNED	CHECKED	DATE
mm	2 : 1	1	DIS-T-00006678	TS. KUBOTA	EJ. WAKATSUKI	20200909

APPROVED	CHECKED	DESIGNED	DRAWN	DRAWING NO.	PART NO.	CODE NO.
HIROSE ELECTRIC CO., LTD.	EJ. WAKATSUKI	TS. KUBOTA	YK. MITSUISHI	EDC-166859-56-00	GT17HN-16DP-2H(56)	CL767-0153-7-56

Sep.1.2024 Copyright 2024 HIROSE ELECTRIC CO., LTD. All Rights Reserved.
 In case of consideration for using Automotive equipment / device which demand high reliability, kindly contact our sales window correspondents.



HRS	DRAWING NO.	EDC-166859-56-00
	PART NO.	GT17HN-16DP-2H(56)
	CODE NO.	CL767-0153-7-56
		2/2