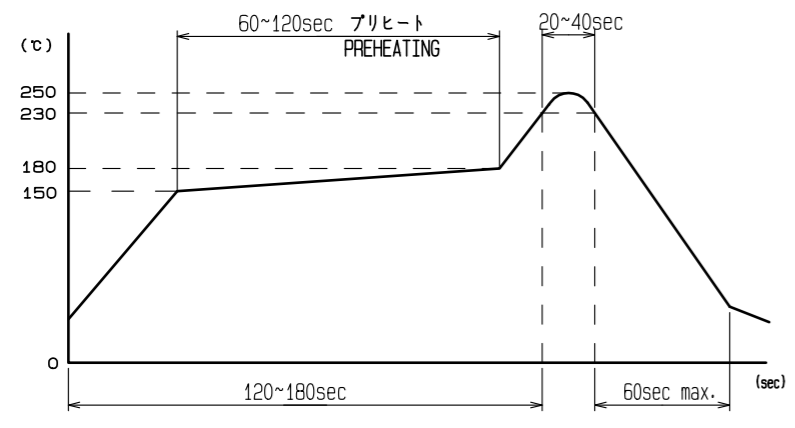
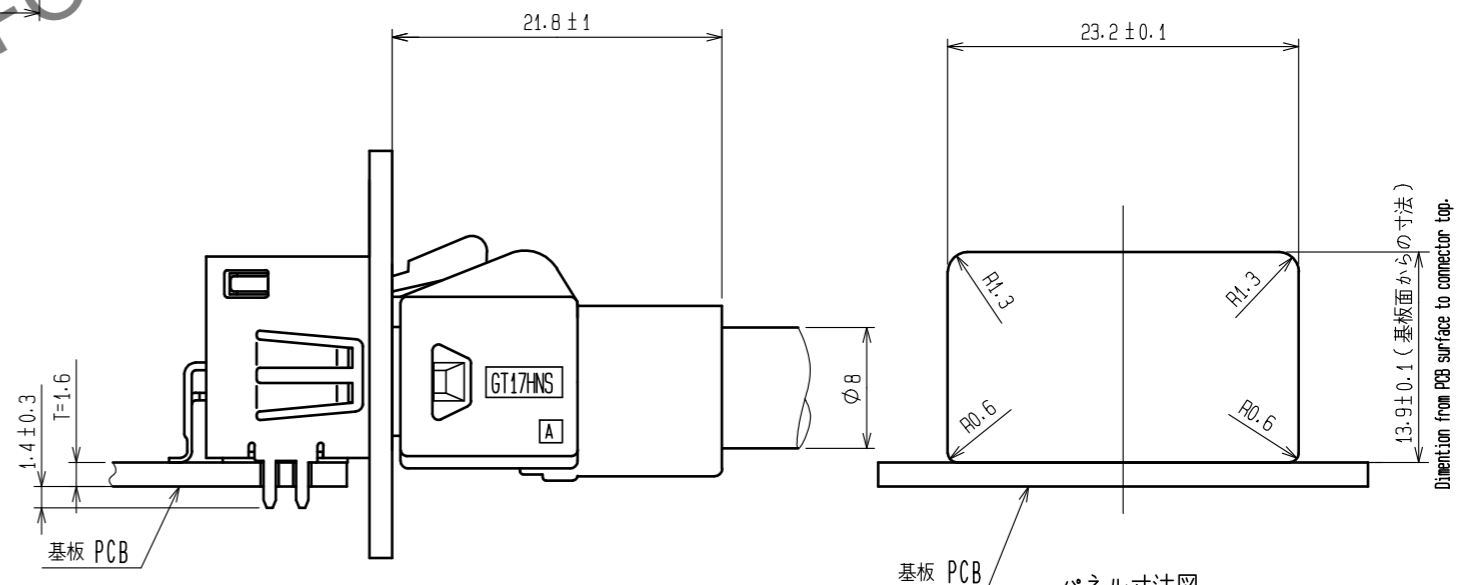
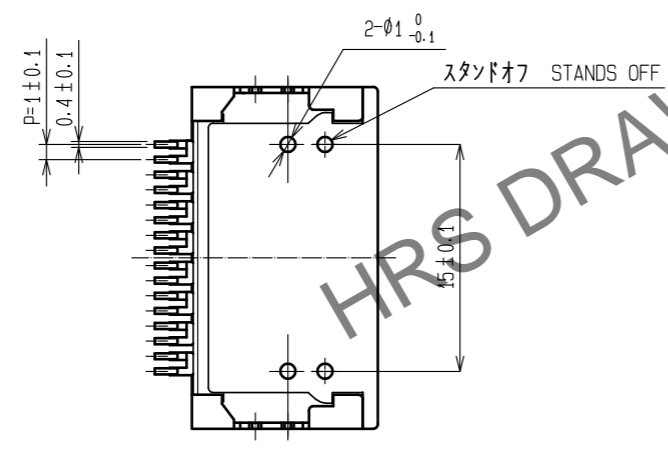
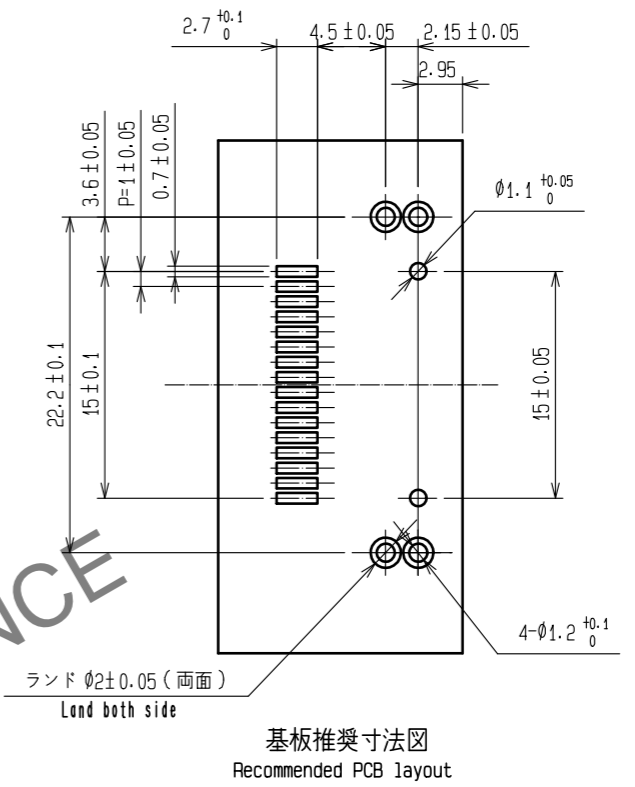
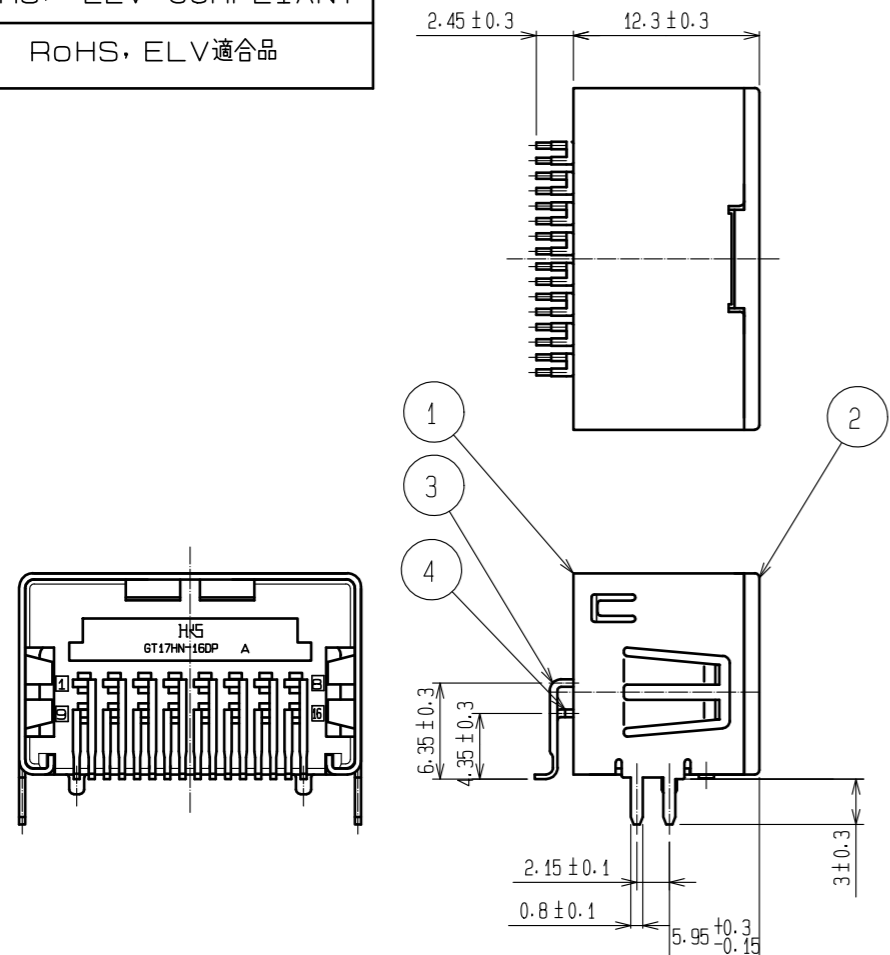


Aug.1.2024 Copyright 2024 HIROSE ELECTRIC CO., LTD. All Rights Reserved.
 In case of consideration for using Automotive equipment / device which demand high reliability, kindly contact our sales window correspondents.

RoHS, ELV COMPLIANT
 RoHS, ELV適合品



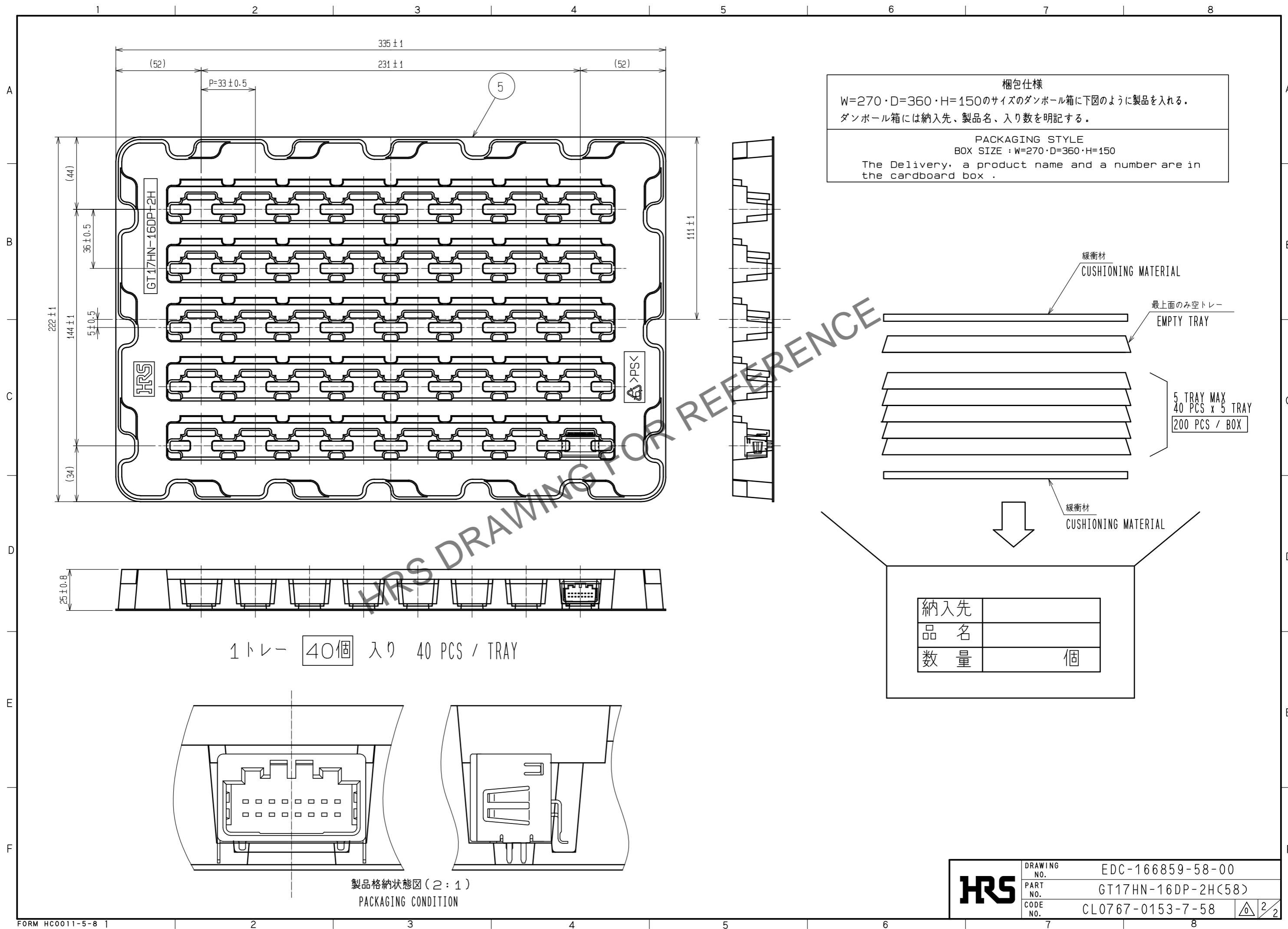
RECOMMENDED REFLOW PROFILE	
IR reflow condition	IR リフロー条件
Preheating area 150°C for 60 to 120 seconds	予熱時間: 60~120秒, 150°C
Peak Temperature: 250°C	リフロー温度: 230~240°C, 10秒以内
Soldering area 235±5°C or 10 seconds max.	230°C以上: 10~30秒
230°C min. for 10 to 30 seconds	

- Note1. The soldering process is allowed up to twice under the same condition. However, the interval between the first and second process must be maintained at the room temperature.
 リフロー回数: 2回。但し、2回目のリフローにおいては、一度、室温に戻すこと。
- Note2. The temperature indicates the board surface temperature on the connector lead area.
 リフロー温度の測定は、コネクタリード部の基板表面温度を測定のこと。
- Note3. Hand soldering: 280~300°C, 2s max.
 手半田温度: 280~300°C、2s以内
- Note4. Coplanarity: 0.1 max.
 端子平坦度: 0.1以下
- Note5. Recommended thickness of PCB: 1.6mm
 推奨基板厚: 1.6mm

嵌合状態図
MATED CONNECTORS

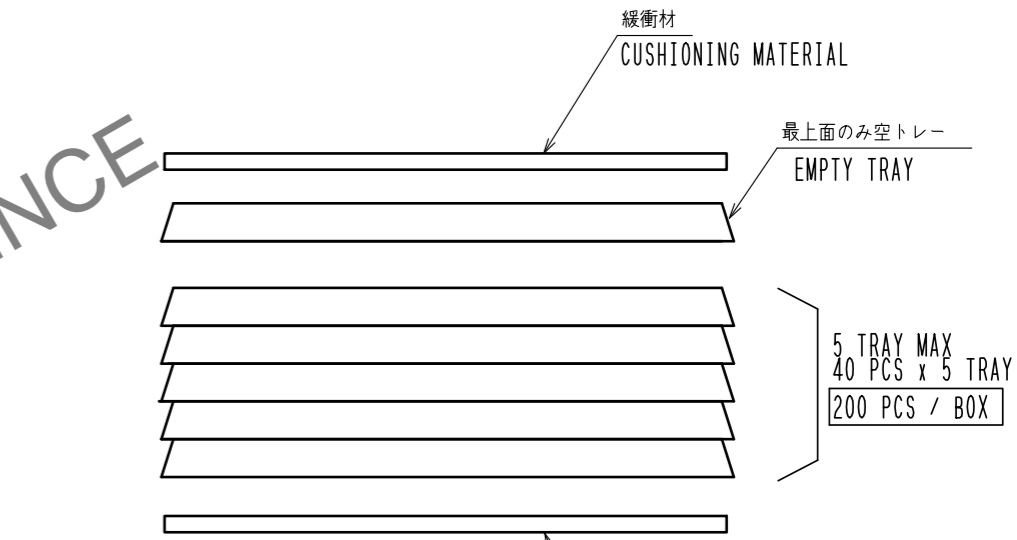
3	BRASS	TIN PLATING	5	PS	
2	PPS	LIGHT GRAY	4	BRASS	TIN PLATING
1	COPPER ALLOY	TIN PLATING			
NO.	MATERIAL	FINISH . REMARKS	NO.	MATERIAL	FINISH . REMARKS
UNITS mm		SCALE 2 : 1	COUNT		DESCRIPTION OF REVISIONS
DESIGNED		DESIGNED	DESIGNED	DESIGNED	DATE
CHECKED		CHECKED	CHECKED	CHECKED	DATE
DRAWN		DRAWN	DRAWN	DRAWN	DATE
APPROVED : KI. HIROKAWA 20220921			DRAWING NO. EDC-166859-58-00		
CHECKED : KT. MAKI 20220921			PART NO. GT17HN-16DP-2H(58)		
DESIGNED : TS. KUBOTA 20220921			CODE NO. CL0767-0153-7-58		
DRAWN : TS. KUBOTA 20220921					

Aug.1.2024 Copyright 2024 HIROSE ELECTRIC CO., LTD. All Rights Reserved.
In case of consideration for using Automotive equipment / device which demand high reliability, kindly contact our sales window correspondents.



梱包仕様
W=270・D=360・H=150のサイズのダンボール箱に下図のように製品を入れる。
ダンボール箱には納入先、製品名、入り数を明記する。

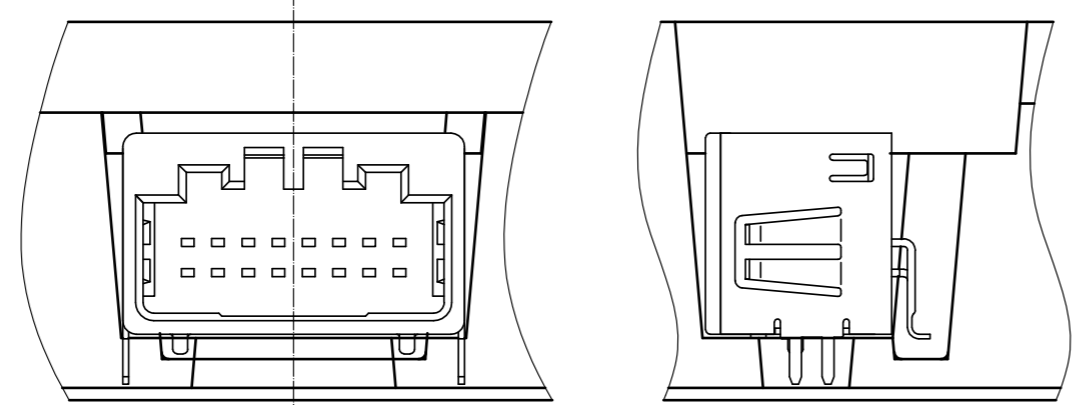
PACKAGING STYLE
BOX SIZE : W=270・D=360・H=150
The Delivery, a product name and a number are in the cardboard box .



↓ 緩衝材 CUSHIONING MATERIAL

納入先	
品名	
数量	個

1トレー 40個 入り 40 PCS / TRAY



製品格納状態図 (2:1)
PACKAGING CONDITION

HRS	DRAWING NO.	EDC-166859-58-00
	PART NO.	GT17HN-16DP-2H(58)
	CODE NO.	CL0767-0153-7-58
	△ 2/2	