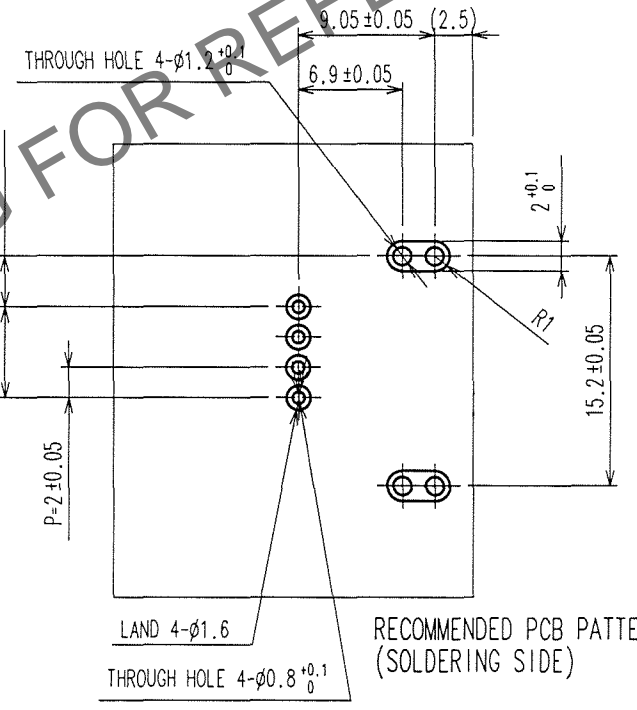
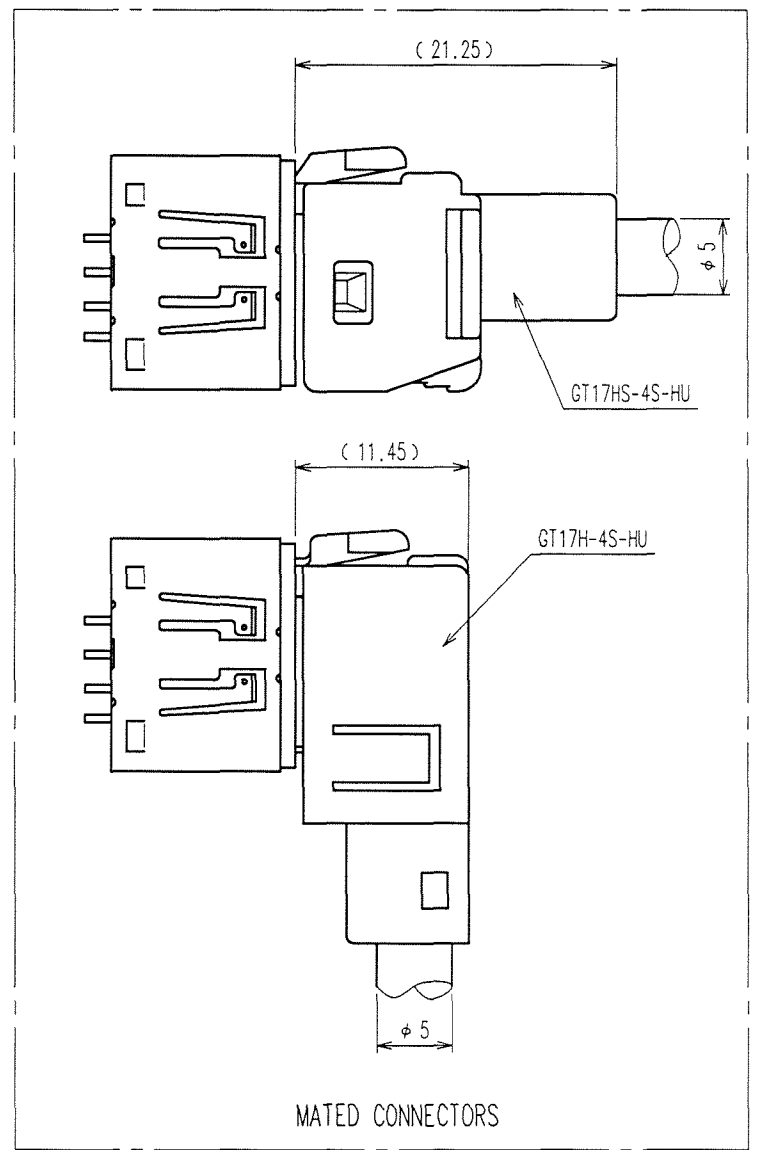
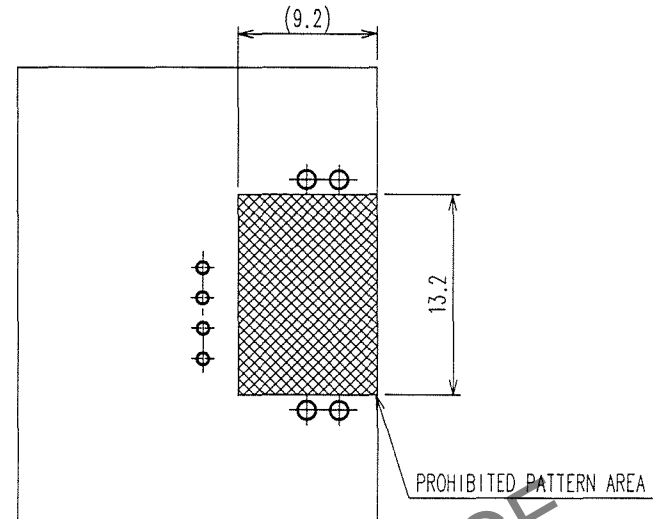
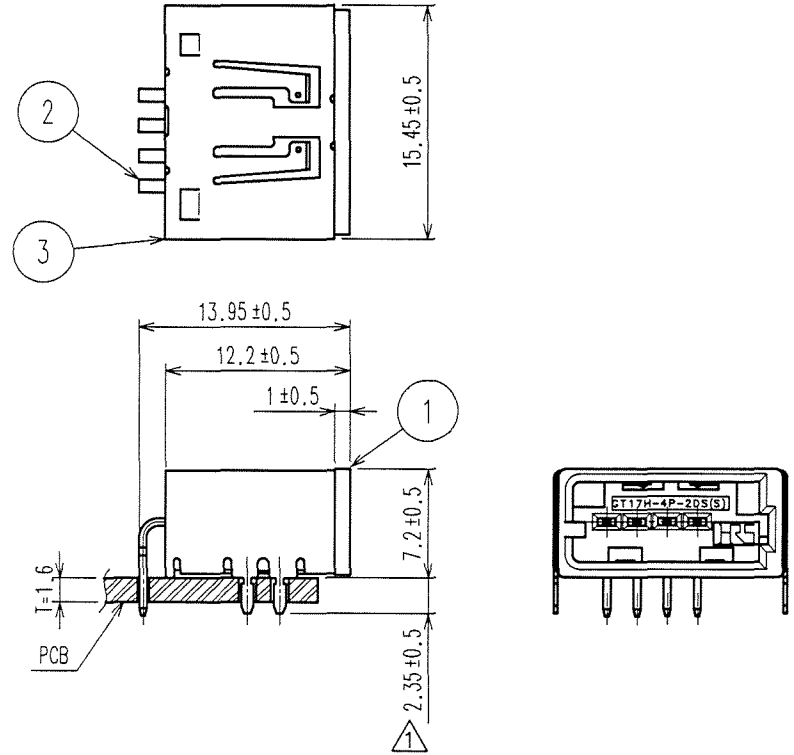


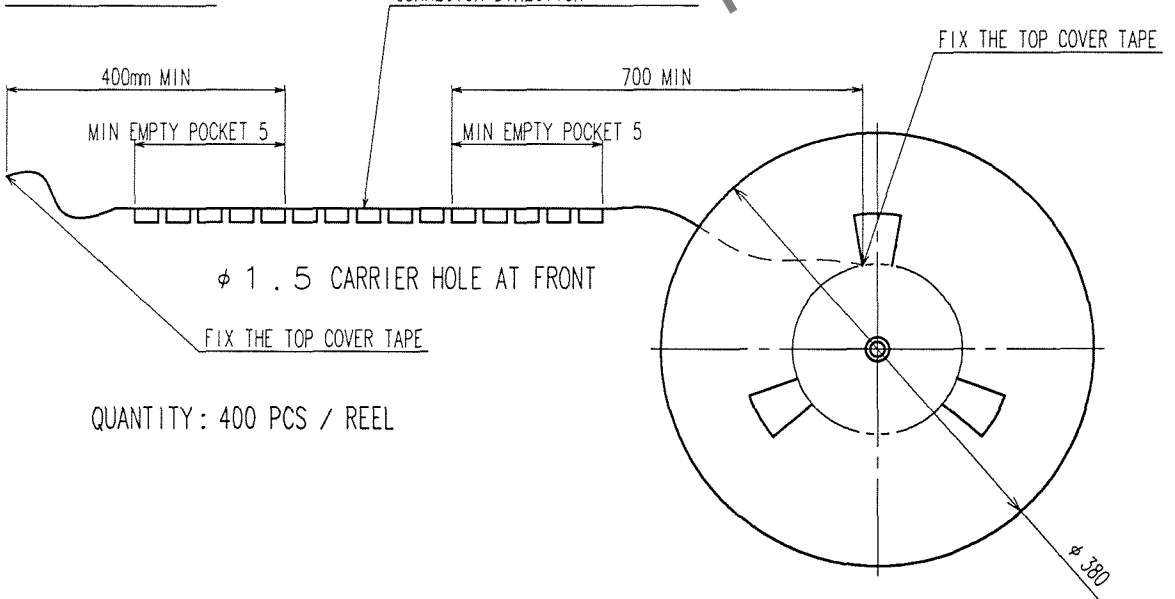
Apr.1.2025 Copyright 2025 HIROSE ELECTRIC CO., LTD. All Rights Reserved.  
In case of consideration for using Automotive equipment / device which demand high reliability, kindly contact our sales window correspondents.

RoHS, ELV COMPLIANT

COUNT	DESCRIPTION OF REVISIONS	BY	CHKD	DATE	COUNT	DESCRIPTION OF REVISIONS	BY	CHKD	DATE
1	DIS-T-000547	T.I	K.S	07.9.18					



PACKAGE STYLE



NOTE1. APPLICABLE CONNECTOR : GT17H-4S-HU  
GT17HS-4S-HU  
2. APPLICABLE PC BOARD : T=1.6mm

2	BRASS	TIN PLATING	3	COPPER ALLOY	TIN PLATING
1	PPS	LIGHT GRAY			
NO.	MATERIAL	FINISH, REMARKS	NO.	MATERIAL	FINISH, REMARKS
CODE NO. (OLD)			DRAWN	DESIGNED	CHECKED
			T. IKEDA	T. IKEDA	K. SATO
			'07.08.27	'07.08.27	'07.08.27
			APPROVED	RELEASED	
			K. SATO		
			'07.08.27		
DRAWING NO.			PART NO.		
EDC3-166937			GT17H-4P-2DS		
UNITS			CODE NO.		
mm			CL767-0166-9		

TO
AMC