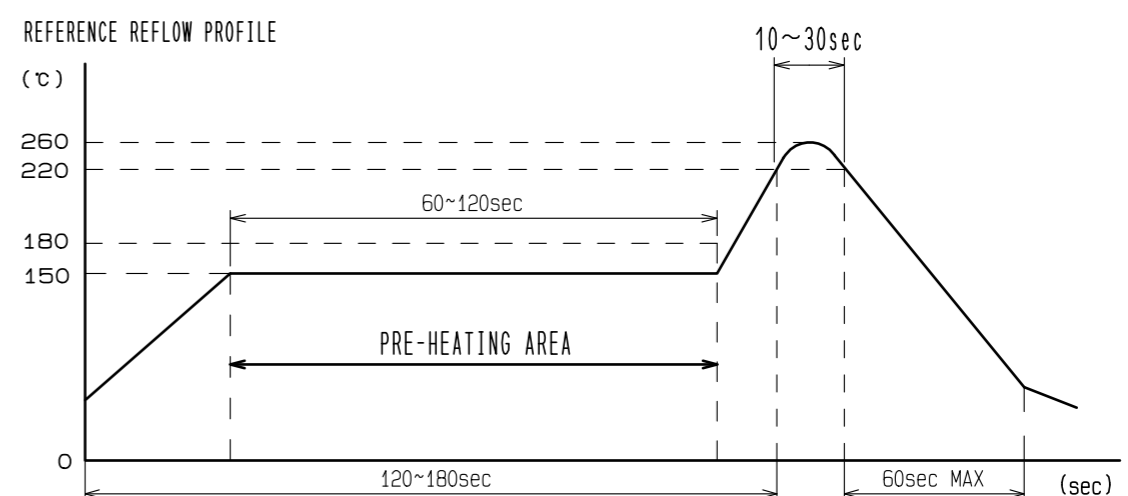
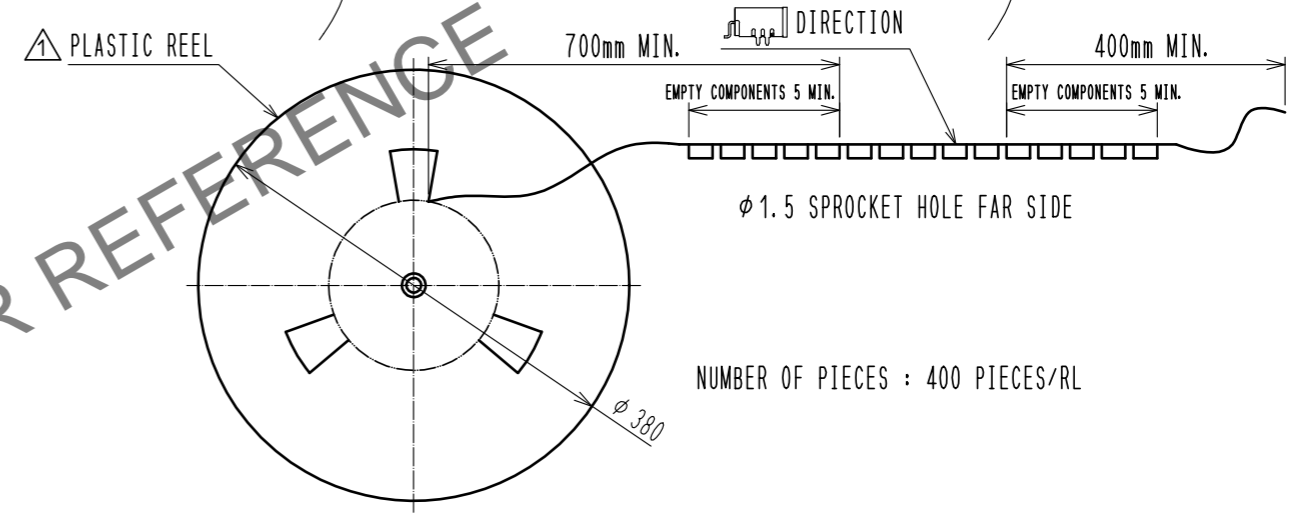
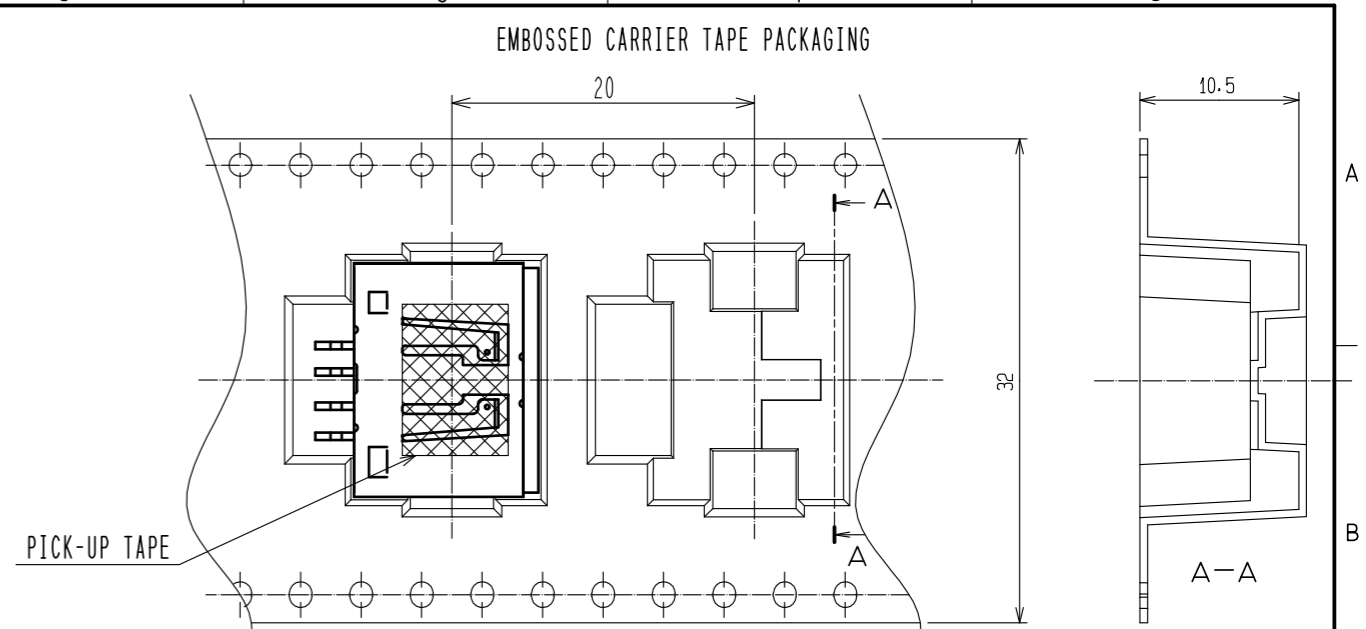
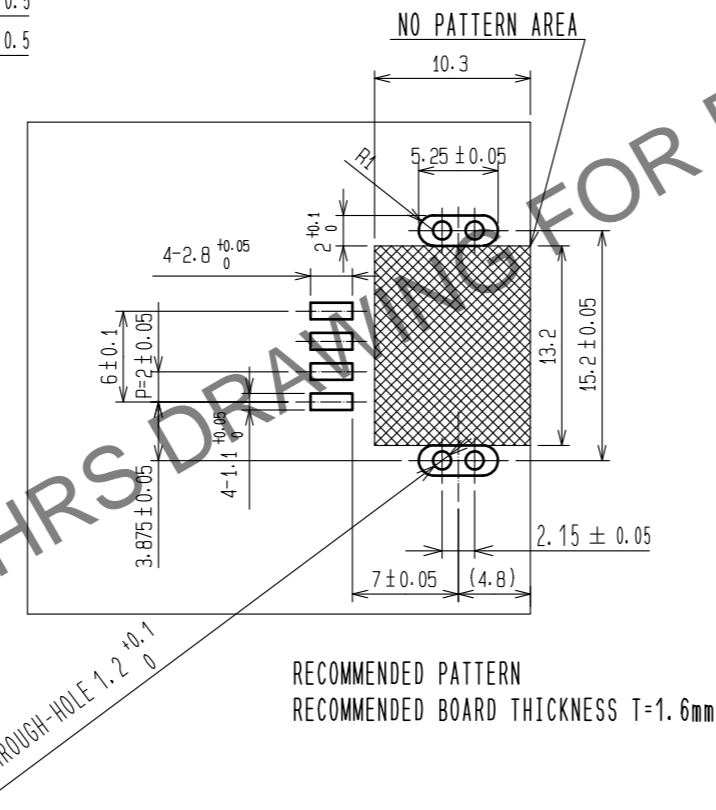
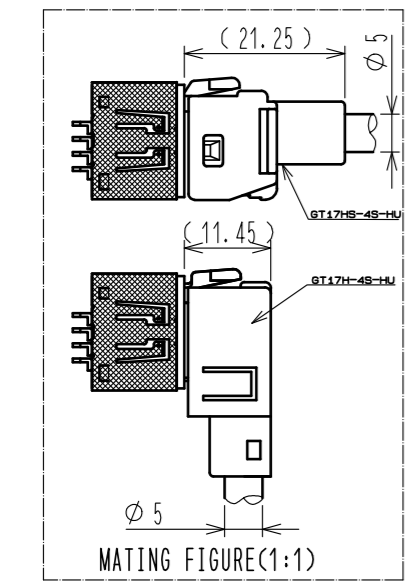
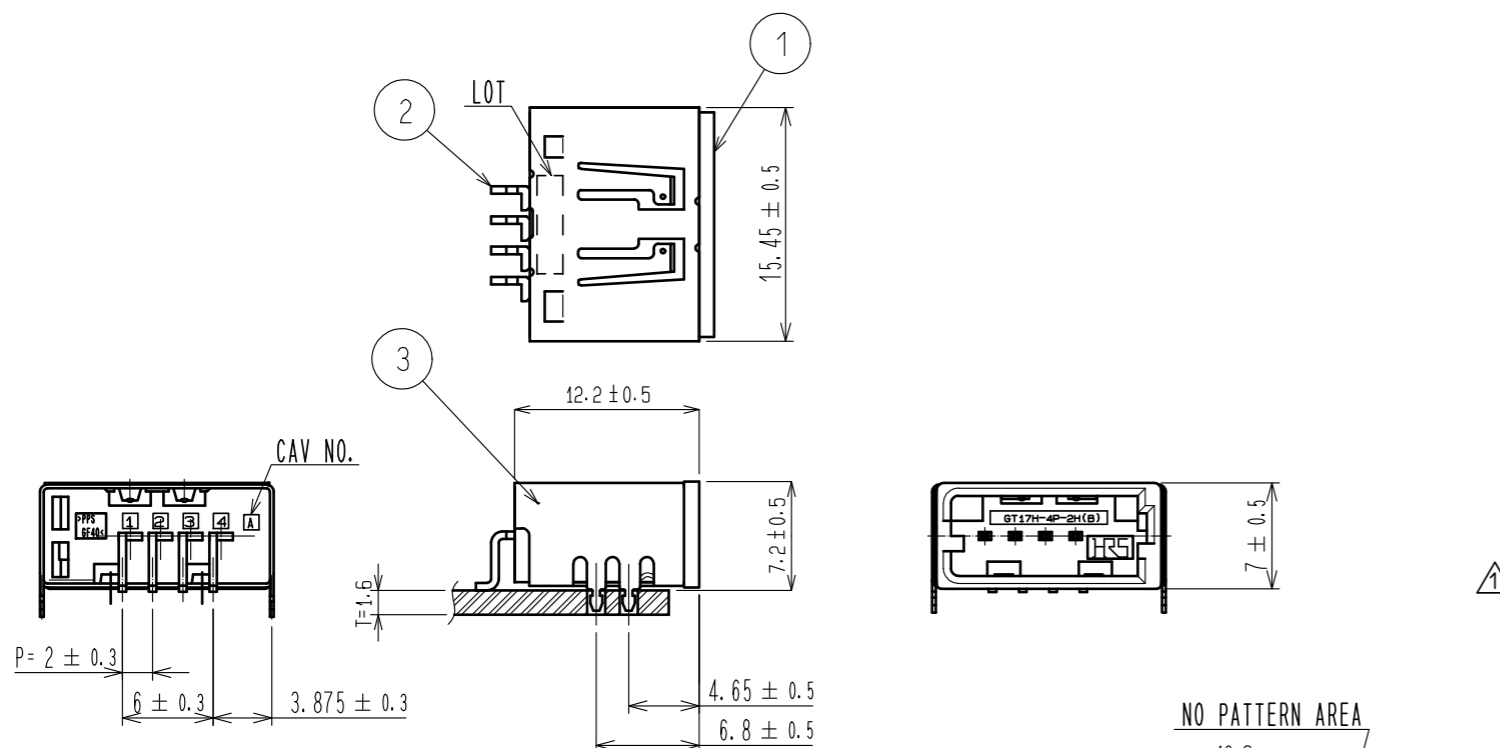


Sep.1.2024 Copyright 2024 HIROSE ELECTRIC CO., LTD. All Rights Reserved.  
In case of consideration for using Automotive equipment / device which demand high reliability, kindly contact our sales window correspondents.

ELV. RoHS COMPLIANT



NOTE 1 REFLOW IS POSSIBLE TO 2 TIMES  
2 TEMPERATURE NEAR CONNECTOR LEAD

CL767-0083-3 GT17H-4P-2H COLOR : LIGHT GRAY	CL767-0170-6 GT17H-4P-2H(A) COLOR : BROWN	CL767-0171-9 GT17H-4P-2H(B) COLOR : GREEN	CL767-0172-1 GT17H-4P-2H(C) COLOR : BLUE
MATING INSULATOR : CL767-0084-6 GT17H-4S-2C COLOR : LIGHT GRAY	MATING INSULATOR : CL767-0167-1 GT17H-4S-2C(A) COLOR : BROWN	MATING INSULATOR : CL767-0168-4 GT17H-4S-2C(B) COLOR : GREEN	MATING INSULATOR : CL767-0169-7 GT17H-4S-2C(C) COLOR : BLUE

2	BRASS	TIN PLATING						
1	PPS	GREEN	3	COPPER ALLOY	TIN PLATING			
NO.	MATERIAL	FINISH . REMARKS	NO.	MATERIAL	FINISH . REMARKS			
UNITS mm		SCALE 2 : 1	COUNT 1	DESCRIPTION OF REVISIONS DIS-T-00006678		DESIGNED TS. KUBOTA	CHECKED EJ. WAKATSUKI	DATE 20200909
<b>HRS</b> HIROSE ELECTRIC CO., LTD.		APPROVED : KI. HIROKAWA	20200331	DRAWING NO. EDC-166943-65-00				
		CHECKED : EJ. WAKATSUKI	20200330	PART NO. GT17H-4P-2H(B)(65)				
		DESIGNED : TS. KUBOTA	20200325	CODE NO. CL767-0171-9-65				
		DRAWN : YK. MITSUISHI	20200313					