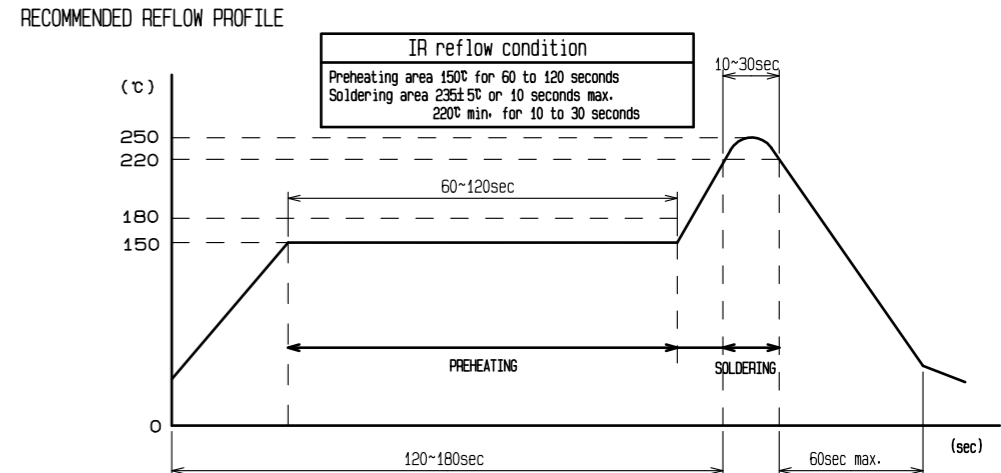
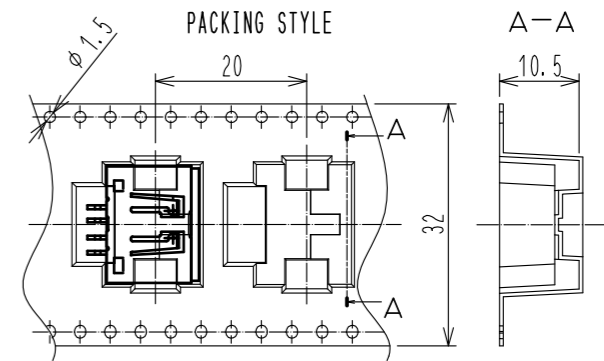
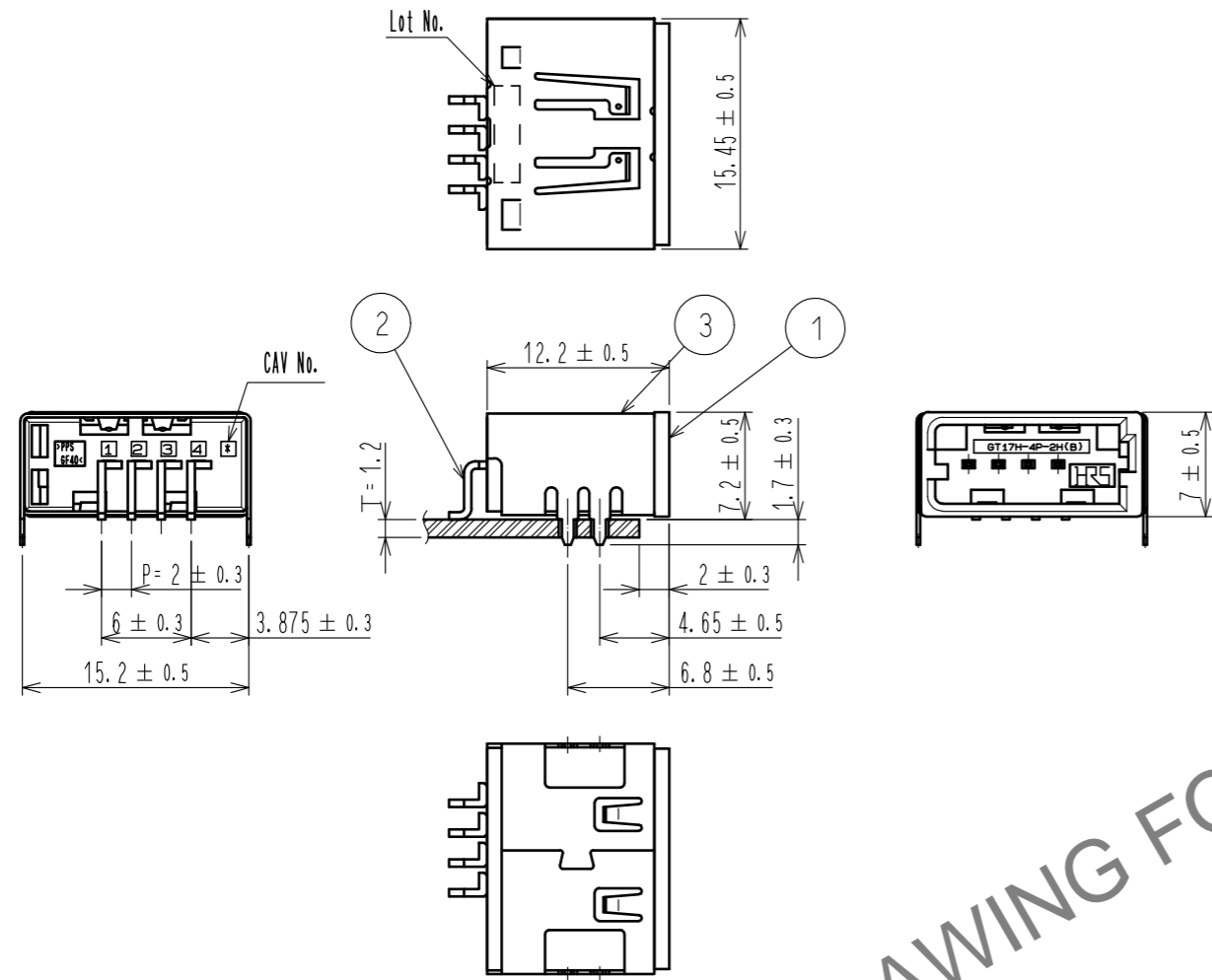
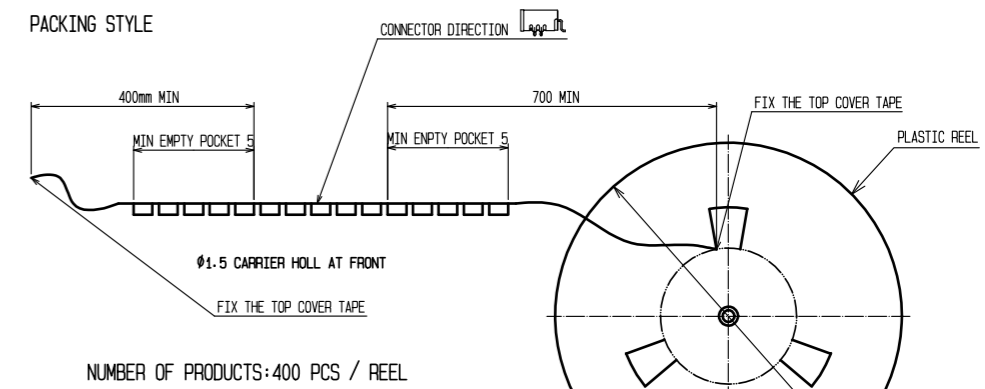
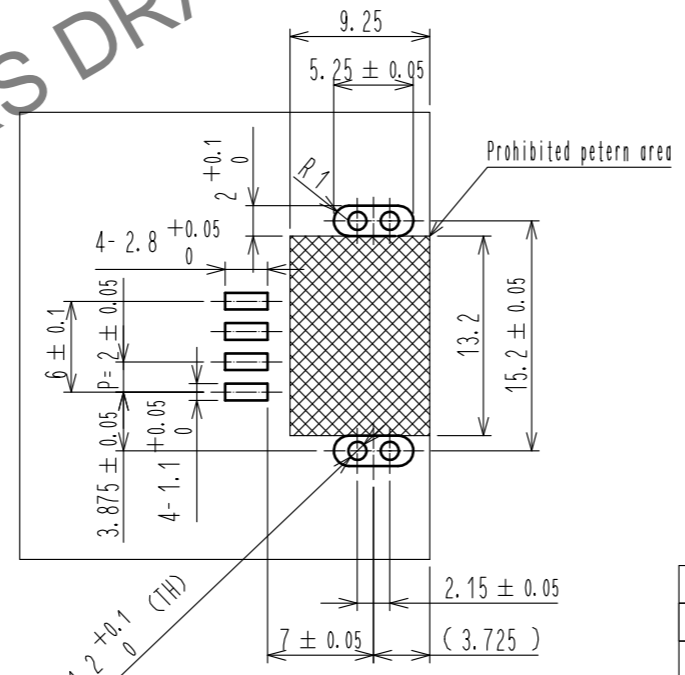
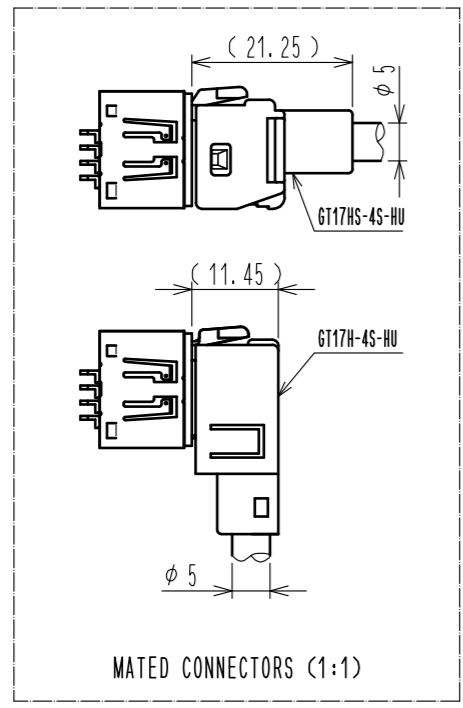


Aug.1.2024 Copyright 2024 HIROSE ELECTRIC CO., LTD. All Rights Reserved.
In case of consideration for using Automotive equipment / device which demand high reliability, kindly contact our sales window correspondents.

RoHS, ELV COMPLIANT



Note1. The soldering process is allowed up to twice under the same condition. However, the interval between the first and second process must be maintained at the room temperature.
Note2. The temperature indicates the board surface temperature on the connector lead area.



HRS DRAWING FOR REFERENCE

2	BRASS	TIN PLATED				
1	PPS	GREEN	3	COPPER ALLOY	TIN PLATED	
NO.	MATERIAL	FINISH . REMARKS	NO.	MATERIAL	FINISH . REMARKS	
UNITS mm		SCALE 2 : 1		COUNT	DESCRIPTION OF REVISIONS	DESIGNED CHECKED DATE
HRS HIROSE ELECTRIC CO., LTD.		APPROVED : HK. UMEHARA	20221116	DRAWING NO.		EDC-166943-88-01
		CHECKED : KT. MAKI	20221116	PART NO.		GT17H-4P-2H(B)(88)
		DESIGNED : TS. KUBOTA	20221115	CODE NO.		CL0767-0171-9-88
		DRAWN : TS. KUBOTA	20221115			1/1