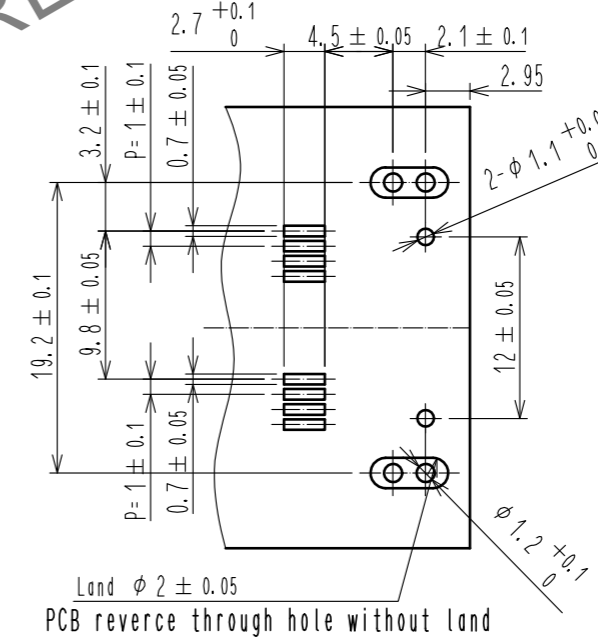
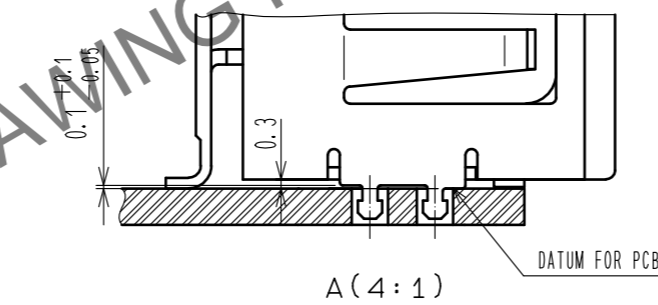
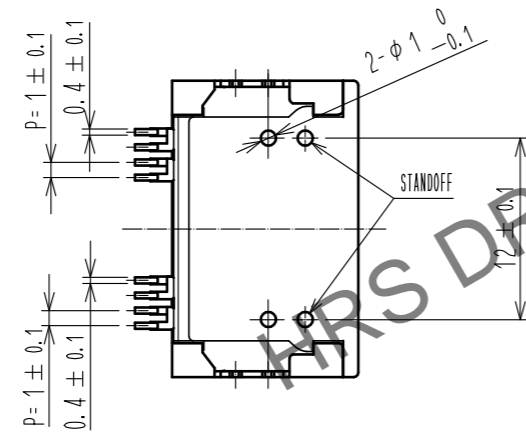
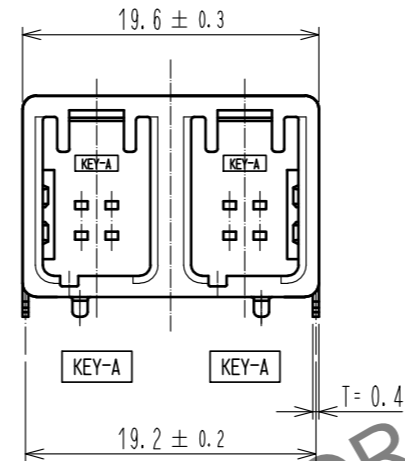
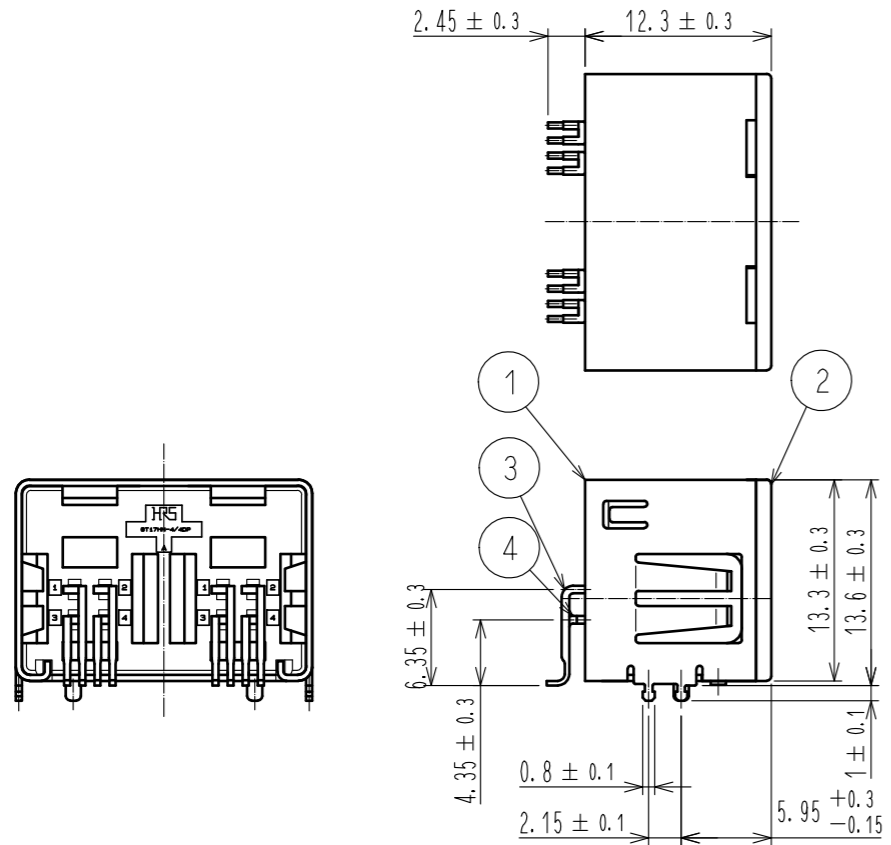
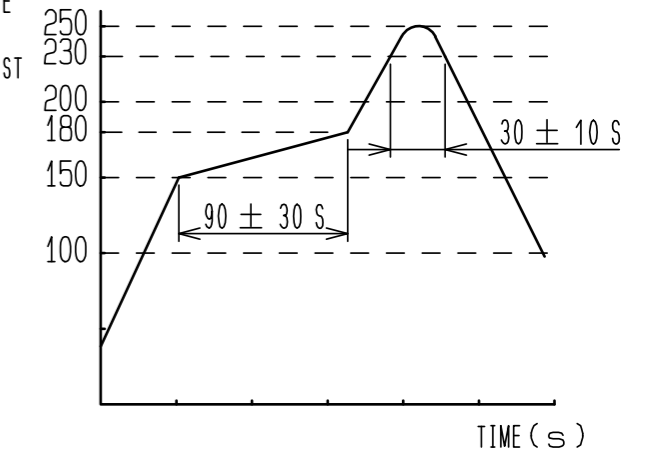


RoHS, ELV COMPLIANT

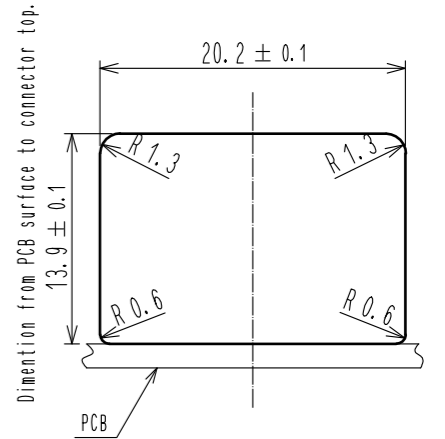
NOTES

- 1) RECOMMENDED THICKNESS OF SOLDERING PASTE: 0.12mm
- 2) RECOMMENDED REFLOW PROFILE (SEE RIGHT GRAPH)
CYCLE TIME: UP TO 2 CYCLES OF REFLOW SOLDERING ARE POSSIBLE UNDER THE CONDITIONS, PROVIDED THAT THERE IS A RETURN TO NORMAL TEMPERATURE BETWEEN THE FIRST AND SECOND CYCLE.
PEAK TEMPERATURE: 250°C
230°C MIN. FOR 20 TO 40 SECONDS.
PREHEATING AREA 150-180°C FOR 60 TO 120 SECONDS.
- 3) HAND SOLDERING: 280-300°C, 2S MAX.
- 4) CONTACT COPLANARITY: 0.1mm MAX.
- 5) RECOMMENDED THICKNESS OF PCB: 1.6mm
- 6) FOR THE PREVENTION EXCESSIVE STRESS FOR CONNECTOR AND PCB, WE RECOMMEND ADDITIONAL SUPPORT MECHANISM IF THE FLANGE WAS ELIMINATED.

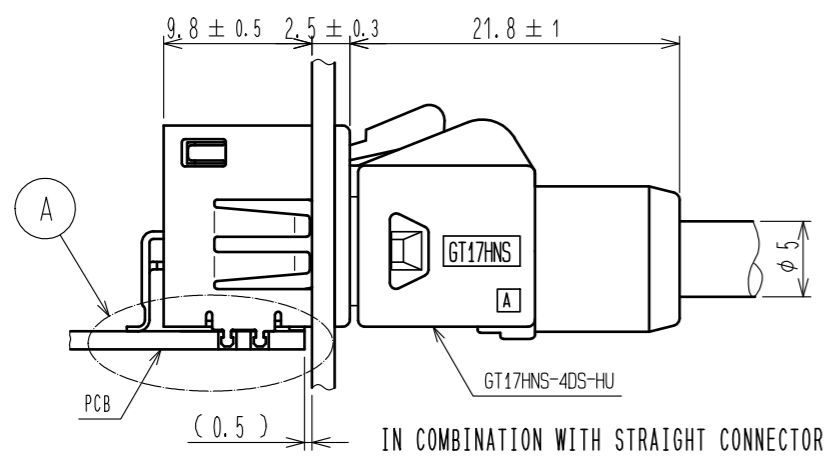
TEMP. (°C)



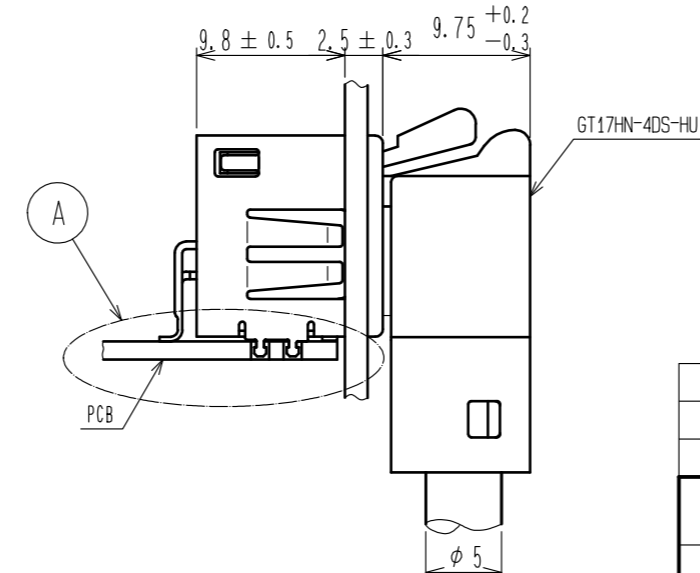
RECOMMENDED PCB LAYOUT



RECOMMENDED PANNEL LAYOUT



IN COMBINATION WITH STRAIGHT CONNECTOR



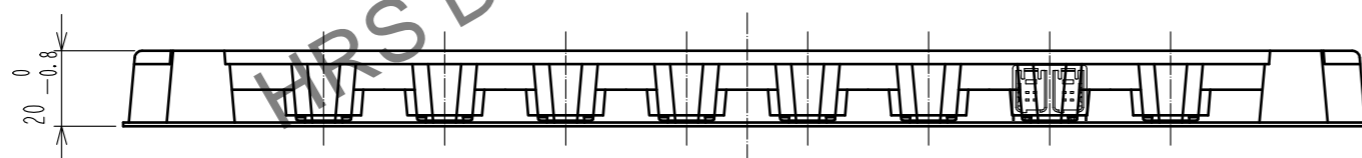
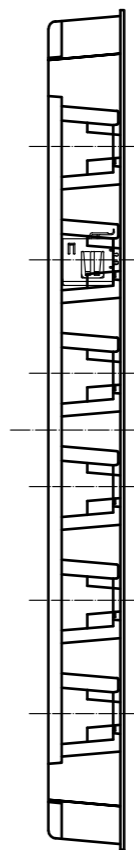
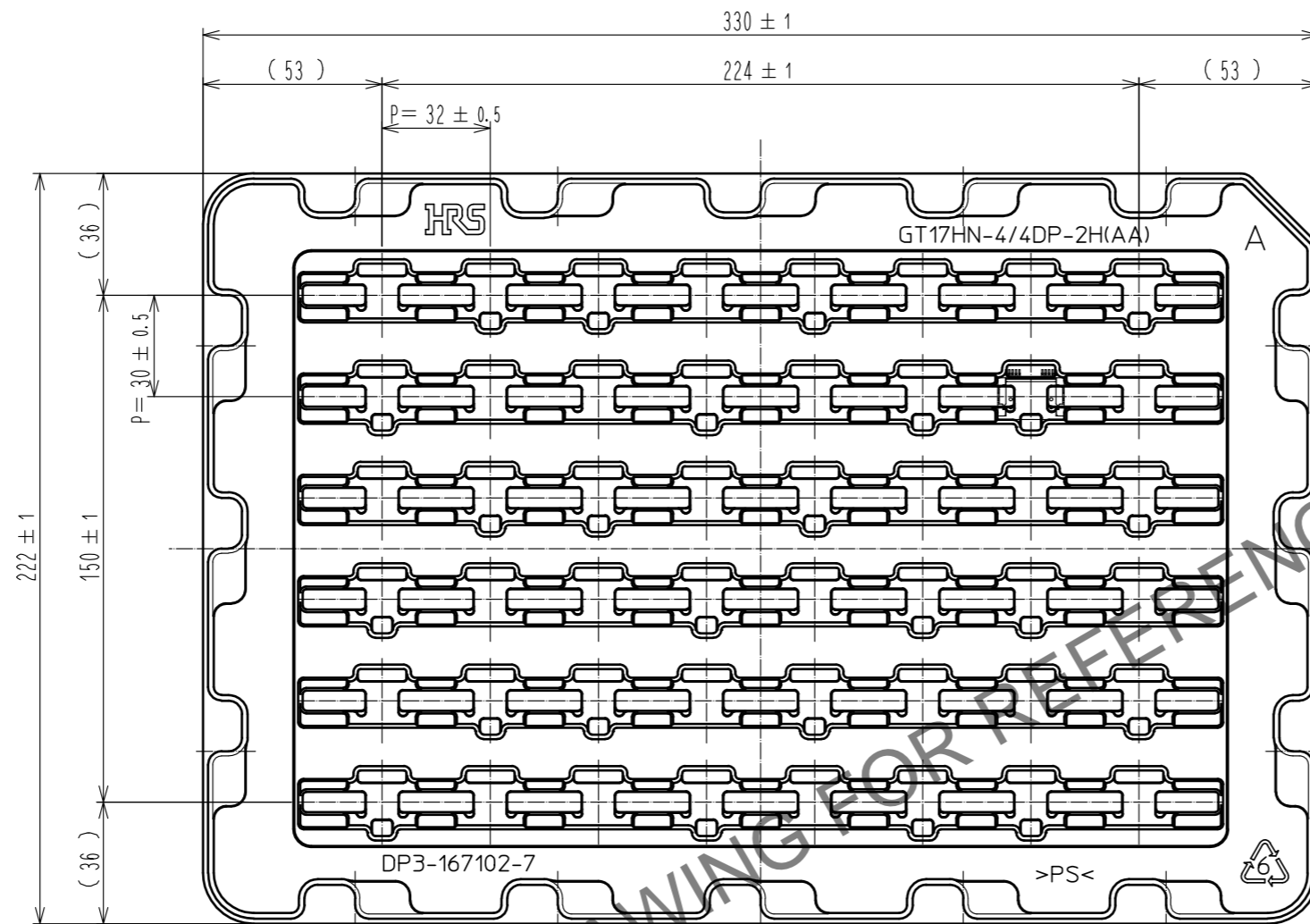
IN COMBINATION WITH RIGHT-ANGLE CONNECTOR

2	PPS	BROWN	4	BRASS	TIN PLATING
1	COPPER ALLOY	TIN PLATING	3	BRASS	TIN PLATING
NO.	MATERIAL	FINISH . REMARKS	NO.	MATERIAL	FINISH . REMARKS
UNITS	mm	SCALE	2 : 1	COUNT	DESCRIPTION OF REVISIONS
APPROVED : KI. HIROKAWA		20200409		DESIGNED	EDC-168124-55-00
CHECKED : E.J. WAKATSUKI		20200408		CHECKED	
DESIGNED : TS. KUBOTA		20200325		DATE	
DRAWN : YK. MITSUISHI		20200319			
DRAWING NO.			EDC-168124-55-00		
PART NO.			GT17HN-4/4DP-2H(CA)(55)		
CODE NO.			CL767-0246-6-55		

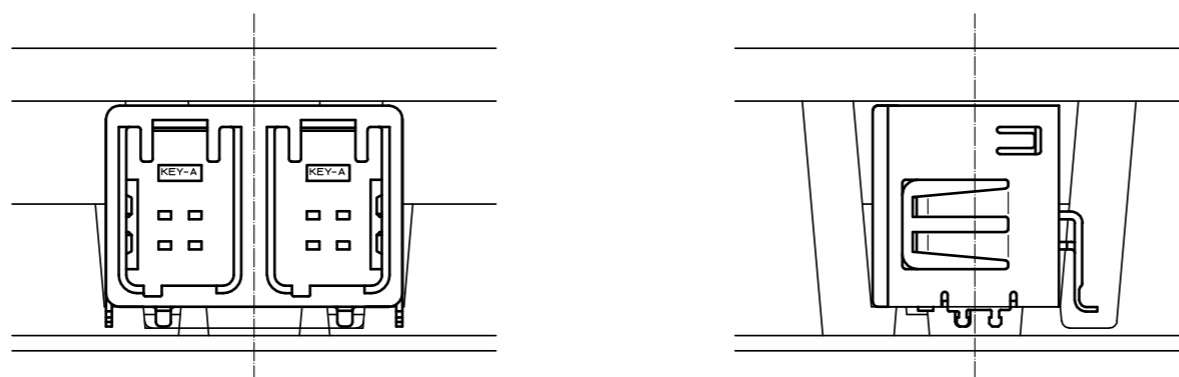


In case of consideration for using Automotive equipment / device which demand high reliability, kindly contact our sales window correspondents.

Aug.1.2024 Copyright 2024 HIROSE ELECTRIC CO., LTD. All Rights Reserved.
 In case of consideration for using Automotive equipment / device which demand high reliability, kindly contact our sales window correspondents.



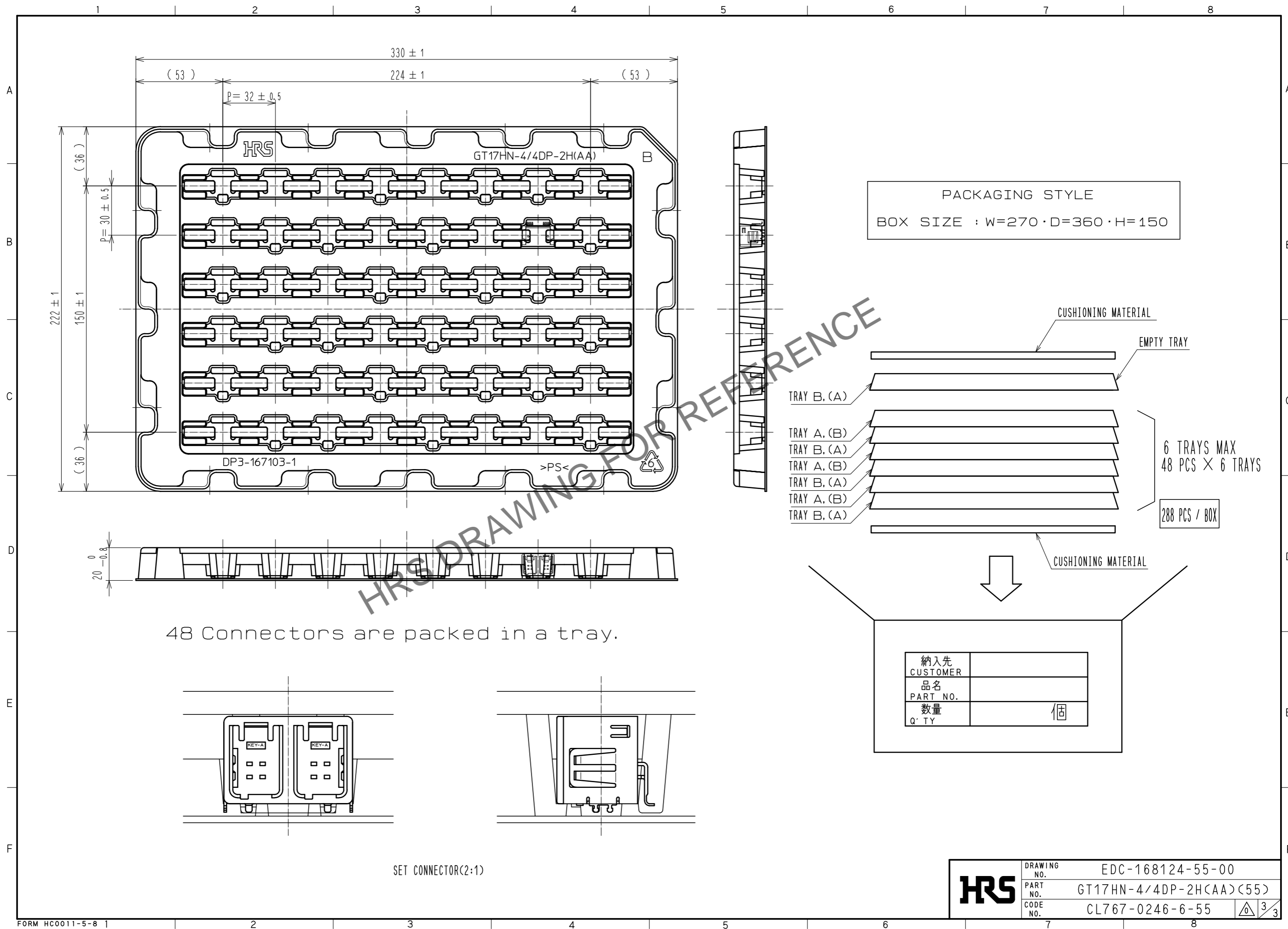
48 Connectors are packed in a tray.



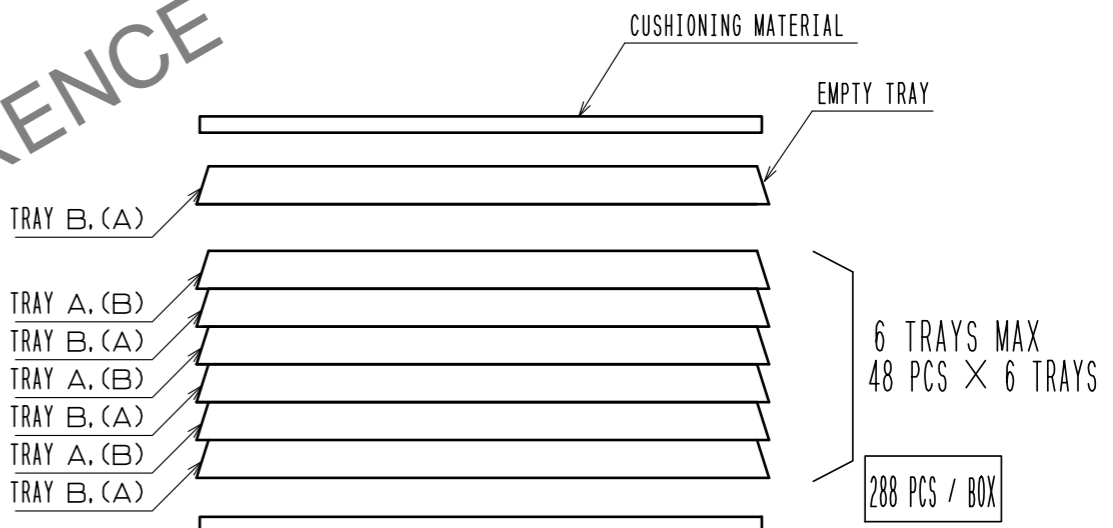
SET CONNECTOR(2:1)

HRS	DRAWING NO.	EDC-168124-55-00
	PART NO.	GT17HN-4/4DP-2H(AA)(55)
	CODE NO.	CL767-0246-6-55

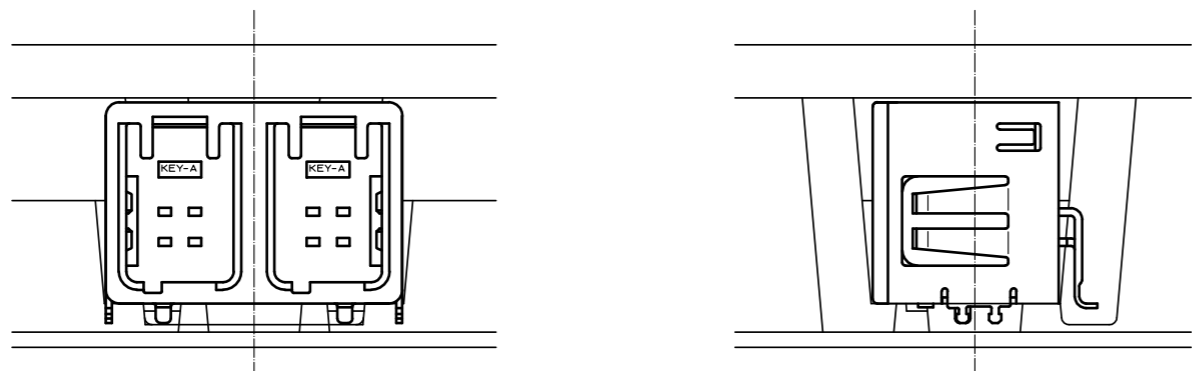
Aug.1.2024 Copyright 2024 HIROSE ELECTRIC CO., LTD. All Rights Reserved.
 In case of consideration for using Automotive equipment / device which demand high reliability, kindly contact our sales window correspondents.



PACKAGING STYLE
 BOX SIZE : W=270 · D=360 · H=150



48 Connectors are packed in a tray.



SET CONNECTOR(2:1)

納入先 CUSTOMER	
品名 PART NO.	
数量 Q' TY	個

HRS	DRAWING NO.	EDC-168124-55-00
	PART NO.	GT17HN-4/4DP-2H(AA)(55)
	CODE NO.	CL767-0246-6-55
		3/3