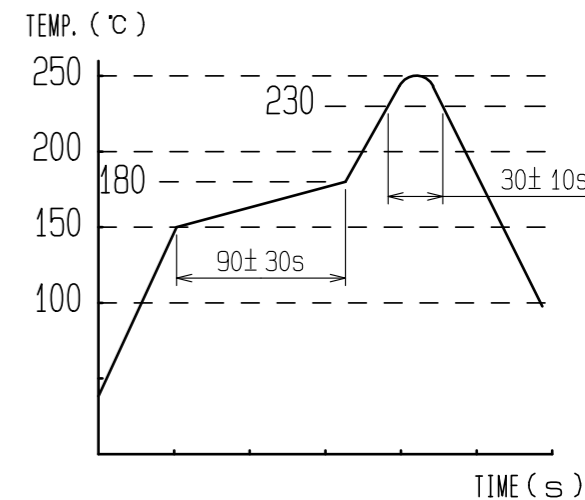


RoHS, ELV COMPLIANT

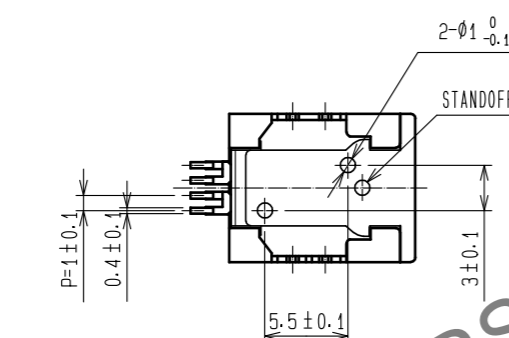
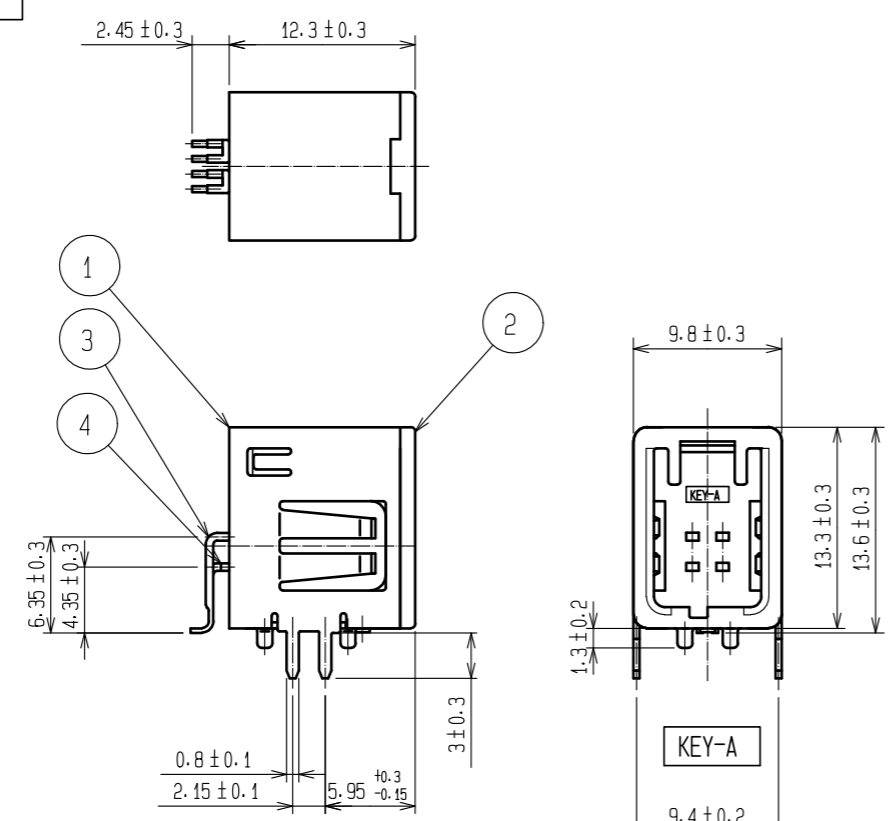
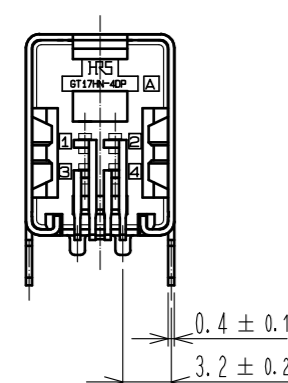
NOTES

- 1) CONTACT COPLANARITY: 0.1mm MAX.
- 2) RECOMMENDED THICKNESS OF SOLDERING PASTE: 0.12mm
- 3) RECOMMENDED REFLOW PROFILE (SEE RIGHT GRAPH)
CYCLE TIME: UP TO 2 CYCLES OF REFLOW SOLDERING ARE POSSIBLE UNDER THE CONDITIONS, PROVIDED THAT THERE IS A RETURN TO NORMAL TEMPERATURE BETWEEN THE FIRST AND SECOND CYCLE.
PEAK TEMPERATURE: 250°C
230°C MIN. FOR 20 TO 40 SECONDS.
- 4) HAND SOLDERING: 280-300°C, 2S MAX.
- 5) RECOMMENDED THICKNESS OF PCB: 1.6mm
- 6) FOR THE PREVENTION EXCESSIVE STRESS FOR CONNECTOR AND PCB, WE RECOMMEND ADDITIONAL SUPPORT MECHANISM IF THE FLANGE WAS ELIMINATED.

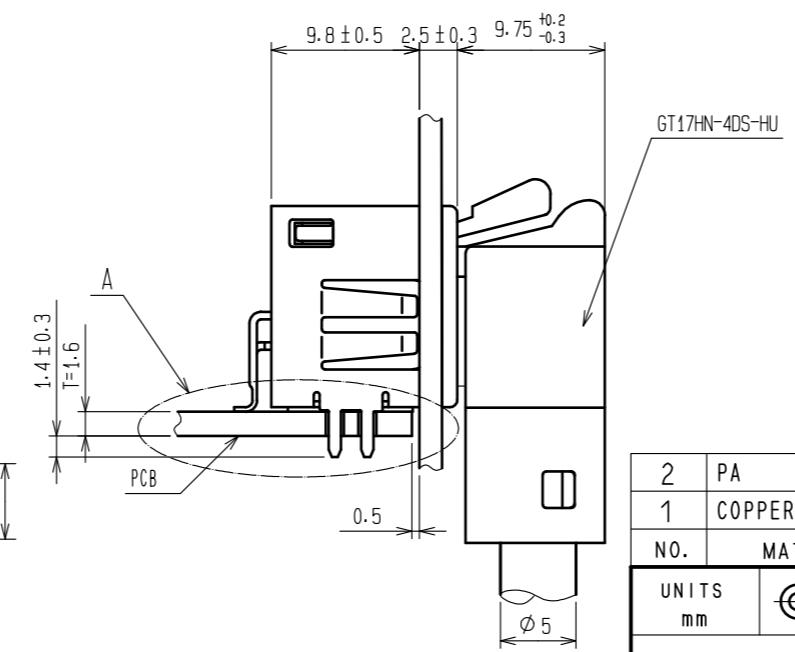


HRS DRAWING FOR REFERENCE

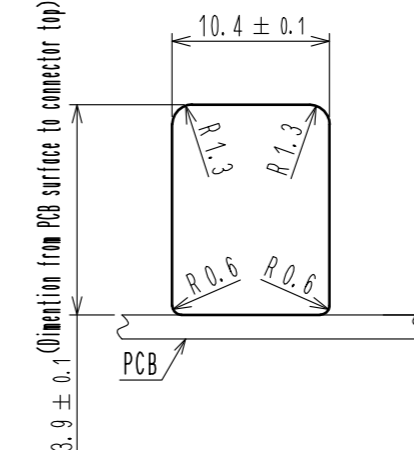
A
B
C
D
E
F



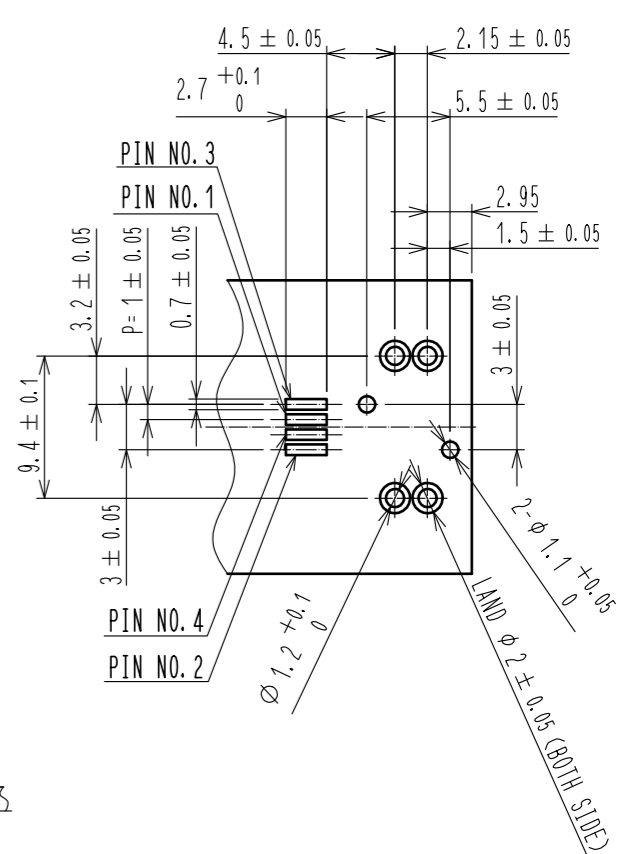
IN COMBINATION WITH RIGHT-ANGLE CONNECTOR



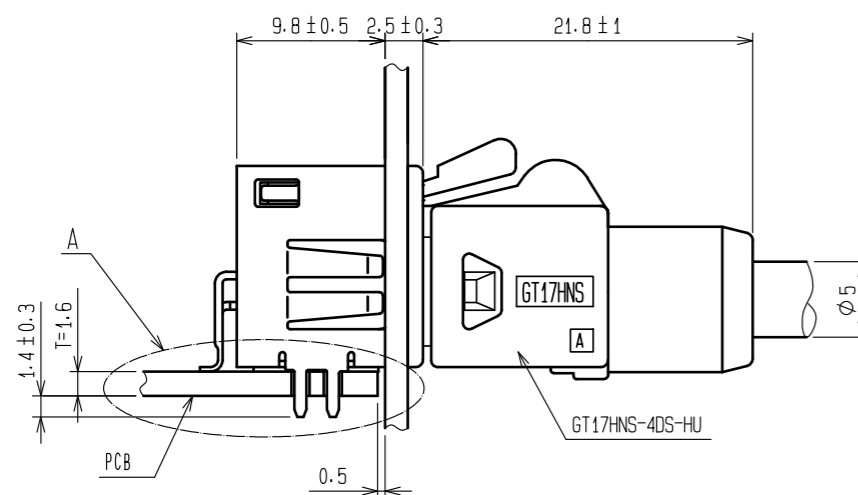
RECOMMENDED PANNEL LAYOUT



RECOMMENDED PCB LAYOUT



IN COMBINATION WITH STRAIGHT CONNECTOR



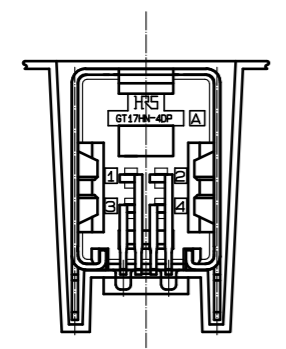
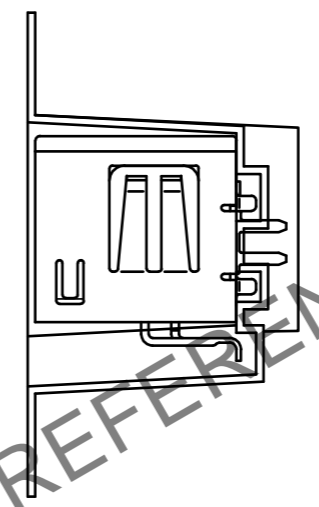
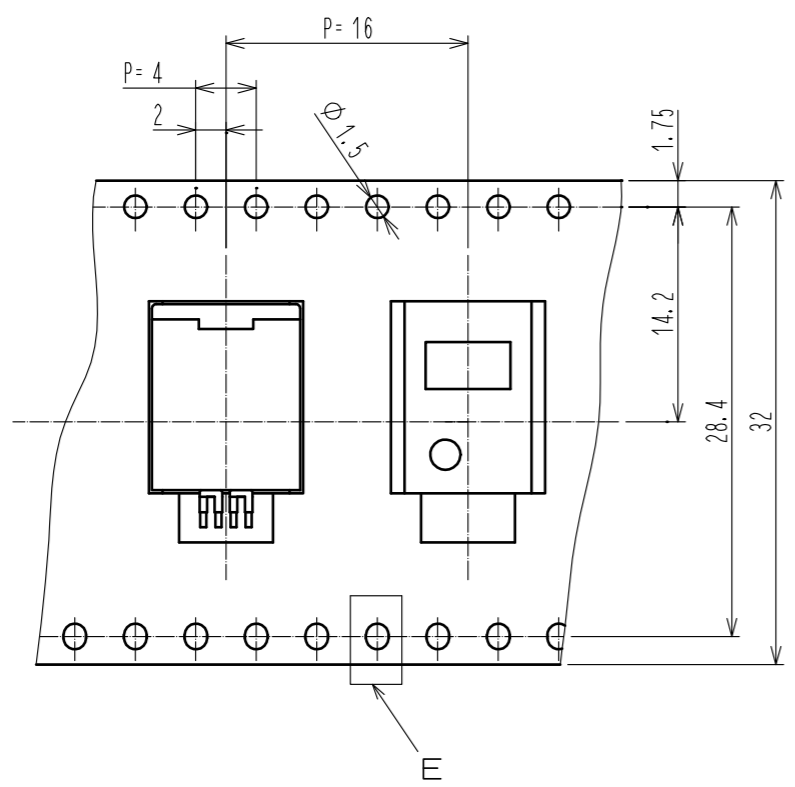
2	PA	BROWN	4	BRASS	TIN PLATING		
1	COPPER ALLOY	TIN PLATING	3	BRASS	TIN PLATING		
NO.	MATERIAL	FINISH . REMARKS	NO.	MATERIAL	FINISH . REMARKS		
UNITS	mm	SCALE	COUNT	DESCRIPTION OF REVISIONS	DESIGNED	CHECKED	DATE
mm		2 : 1	1	DIS-T-00006678	TS. KUBOTA	EJ. WAKATSUKI	20200909
APPROVED : KI. HIROKAWA		20200409	DRAWING NO.		EDC-168892-66-00		
CHECKED : EJ. WAKATSUKI		20200408	PART NO.		GT17HN2-4DP-2H(A)(66)		
DESIGNED : TS. KUBOTA		20200325	CODE NO.		CL767-0267-6-66		
DRAWN : YK. MITSUISHI		20200319					

Aug.1.2024 Copyright 2024 HIROSE ELECTRIC CO., LTD. All Rights Reserved. In case of consideration for using Automotive equipment / device which demand high reliability, kindly contact our sales window correspondents.

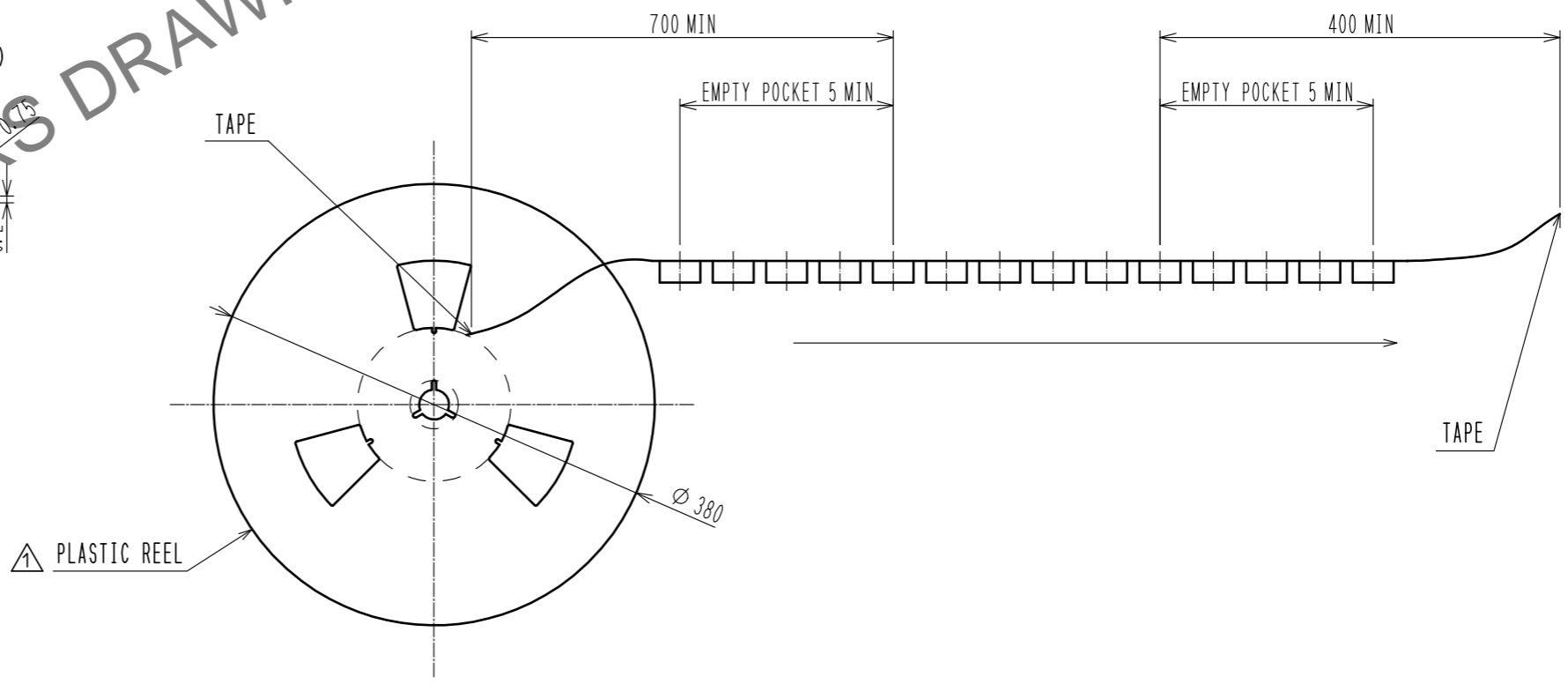
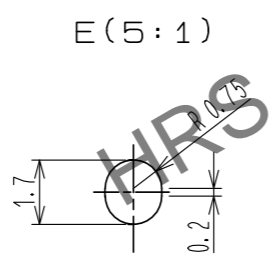
In case of consideration for using Automotive equipment / device which demand high reliability, kindly contact our sales window correspondents.

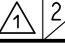
Aug.1.2024 Copyright 2024 HIROSE ELECTRIC CO., LTD. All Rights Reserved.

REEL DIRECTION 



PACKAGE STYLE
300PCS/REEL



HRS	DRAWING NO.	EDC-168892-66-00	 2/2
	PART NO.	GT17HN2-4DP-2H(A)(66)	
	CODE NO.	CL767-0267-6-66	