

Aug.1.2024 Copyright 2024 HIROSE ELECTRIC CO., LTD. All Rights Reserved.
In case of consideration for using Automotive equipment / device which demand high reliability, kindly contact our sales window correspondents.

RoHS, ELV適合品

RoHS, ELV COMPLIANT

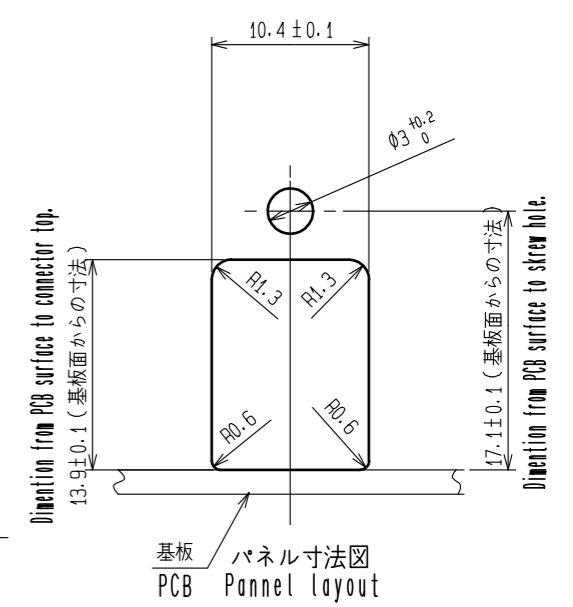
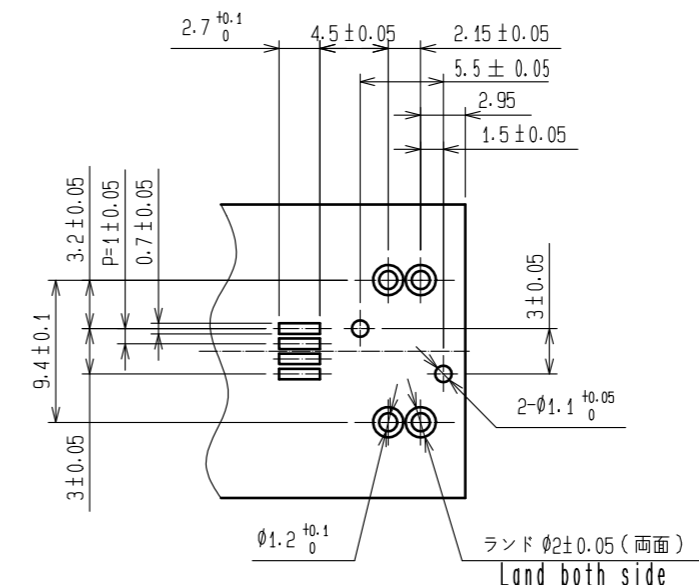
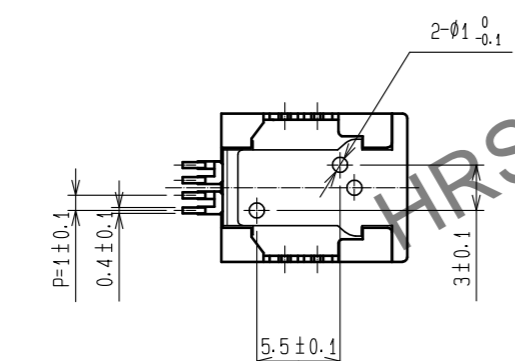
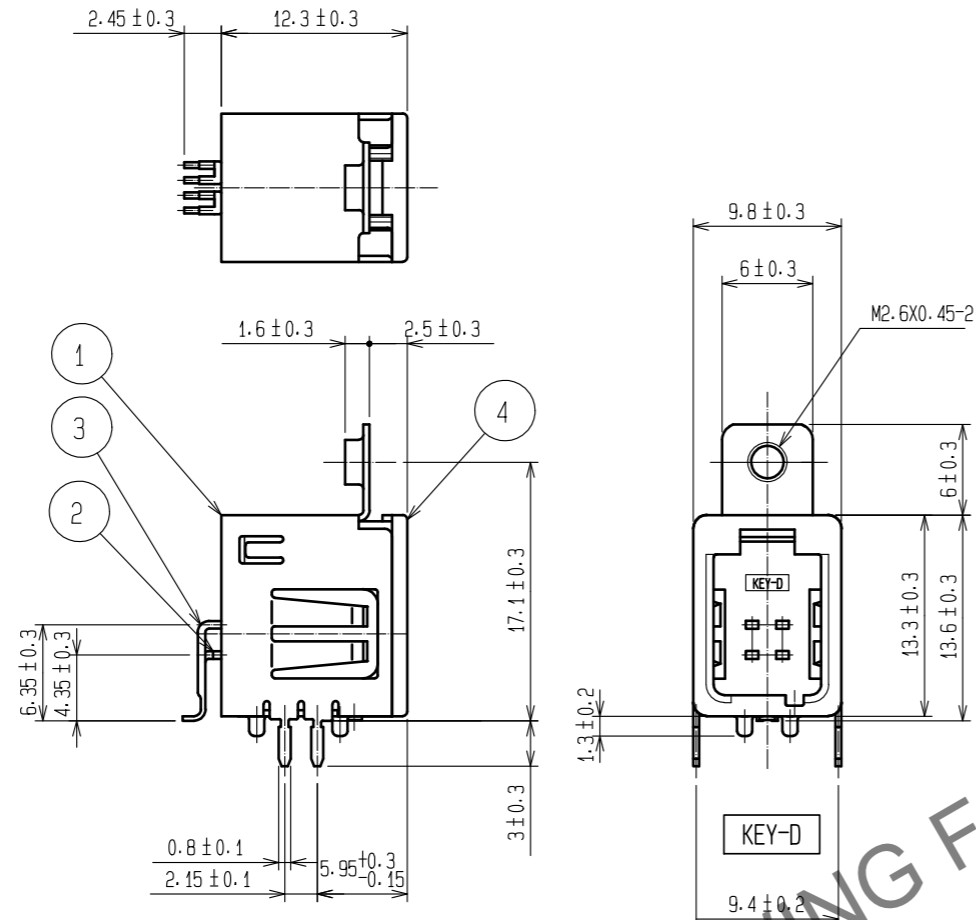
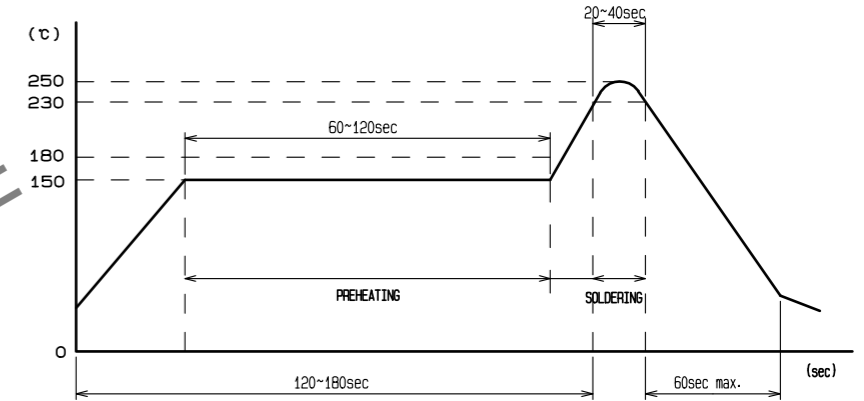
Note1. The soldering process is allowed up to twice under the same condition. However, the interval between the first and second process must be maintained at the room temperature.

Note2. The temperature indicates the board surface temperature on the connector lead area.

Note3. Hand soldering: 280~300°C, 2s max.

Note4. Coplanarity: 0.1 max.
Note5. Recommended thickness of PCB: 1.6mm.

RECOMMENDED REFLOW PROFILE	
IR reflow condition	IR リフロー条件
Preheating area 150°C for 60 to 120 seconds	予備加熱: 60~120秒, 150°C
Peak temperature: 250°C	ピーク温度: 250°C
Soldering area 235±5°C or 10 seconds max.	リフロー温度: 230~240°C, 10秒以内
230°C min. for 20 to 40 seconds	230°C以上: 20~40秒

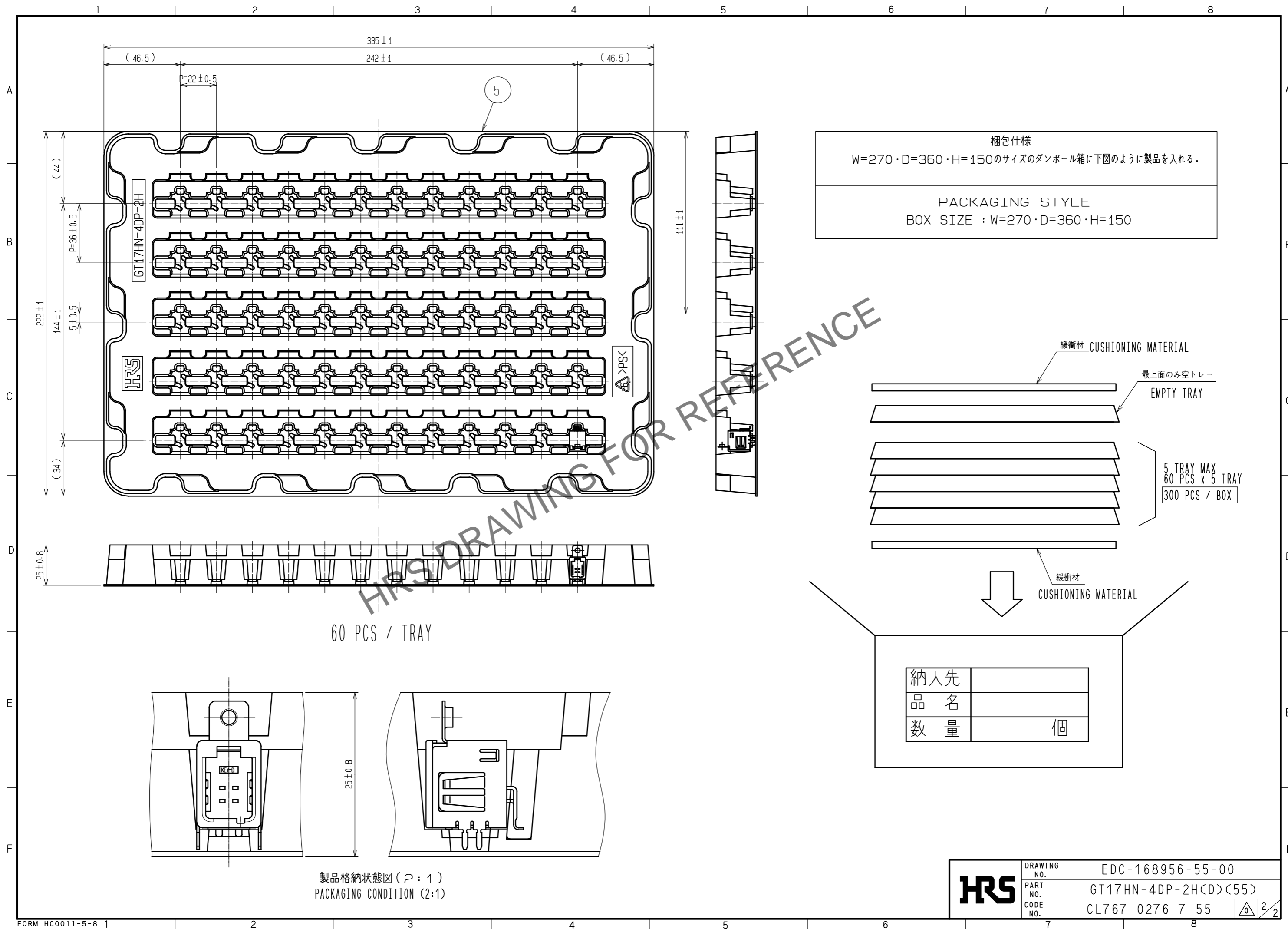


基板推奨寸法図
Recommended PCB layout

基板
PCB
パネル寸法図
Pannel layout

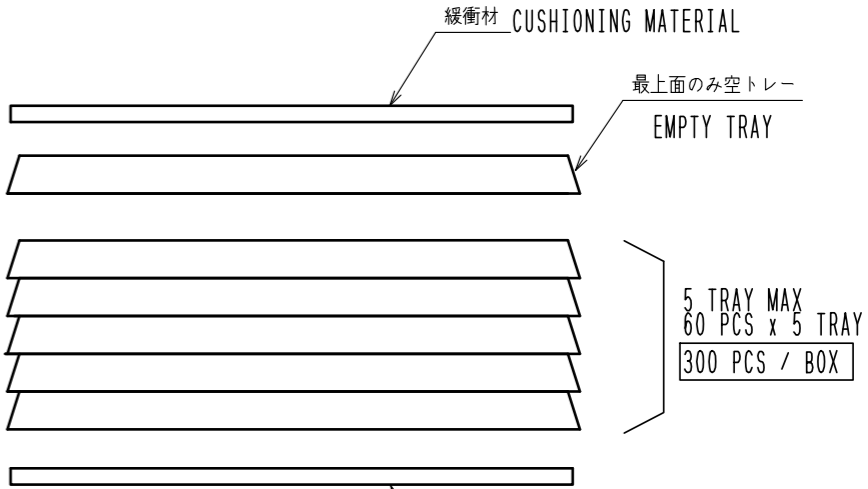
2	BRASS	TIN PLATING	5	PS	TRAY NATURAL			
1	COPPER ALLOY	TIN PLATING	4	PPS	BLACK			
			3	BRASS	TIN PLATING			
NO.	MATERIAL	FINISH . REMARKS	NO.	MATERIAL	FINISH . REMARKS			
UNITS	mm	SCALE	2 : 1	COUNT	DESCRIPTION OF REVISIONS	DESIGNED	CHECKED	DATE
HRS		HIROSE ELECTRIC CO., LTD.	APPROVED	: KI. HIROKAWA	20200409	DRAWING NO. EDC-168956-55-00		
			CHECKED	: EJ. WAKATSUKI	20200408	PART NO. GT17HN-4DP-2H(D)(55)		
			DESIGNED	: TS. KUBOTA	20200325	CODE NO. CL767-0276-7-55		
			DRAWN	: YK. MITSUISHI	20200319	1/2		

Aug.1.2024 Copyright 2024 HIROSE ELECTRIC CO., LTD. All Rights Reserved.
 In case of consideration for using Automotive equipment / device which demand high reliability, kindly contact our sales window correspondents.



梱包仕様
 W=270・D=360・H=150のサイズのダンボール箱に下図のように製品を入れる。

PACKAGING STYLE
 BOX SIZE : W=270・D=360・H=150



↓ 緩衝材 CUSHIONING MATERIAL

納入先	
品名	
数量	個

60 PCS / TRAY

製品格納状態図 (2:1)
 PACKAGING CONDITION (2:1)

HRS	DRAWING NO.	EDC-168956-55-00	
	PART NO.	GT17HN-4DP-2H(D)(55)	
	CODE NO.	CL767-0276-7-55	2/2