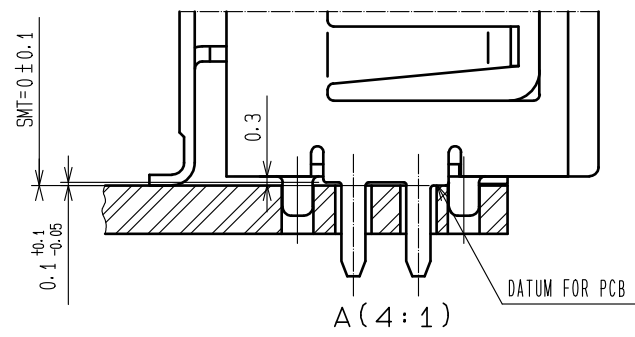
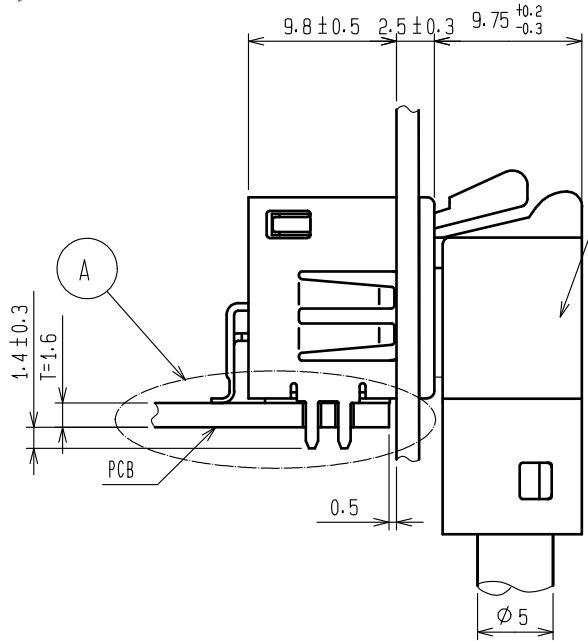
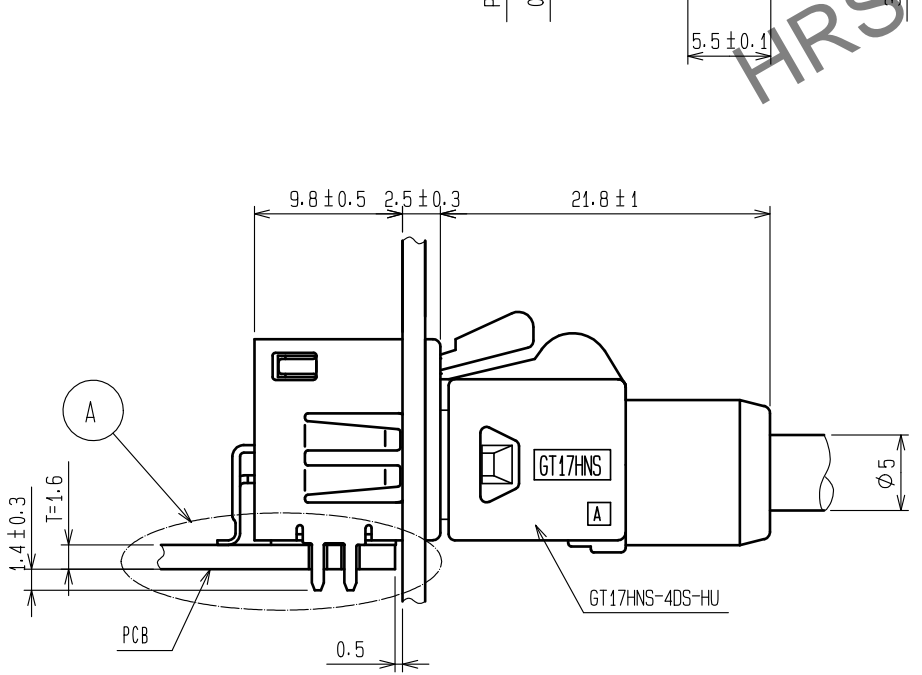
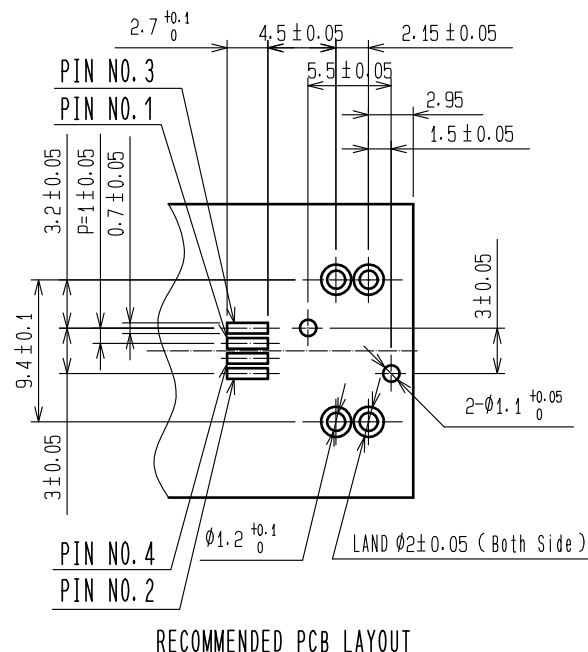
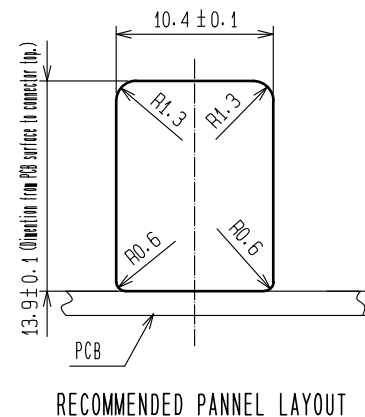
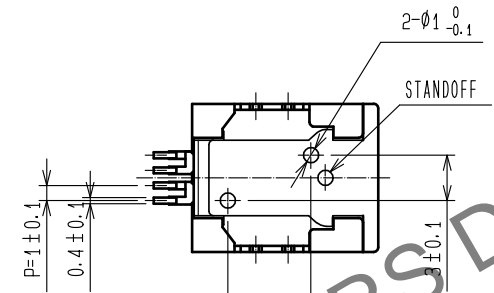
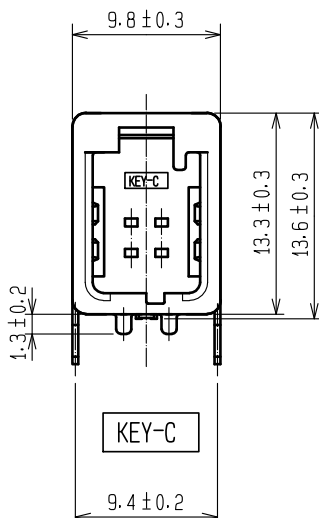
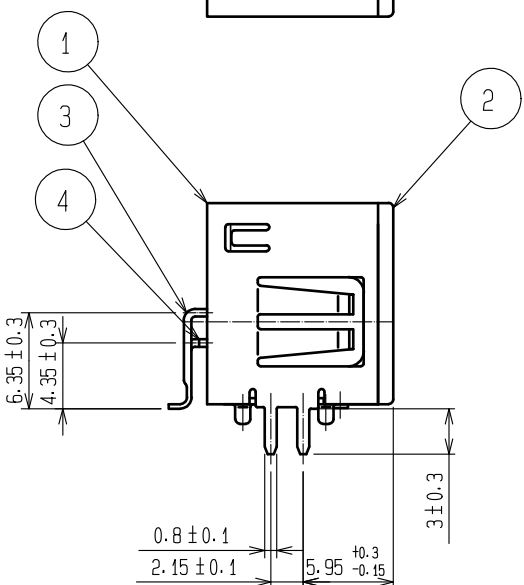
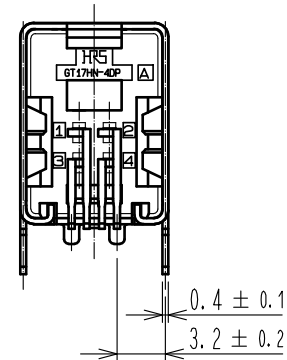
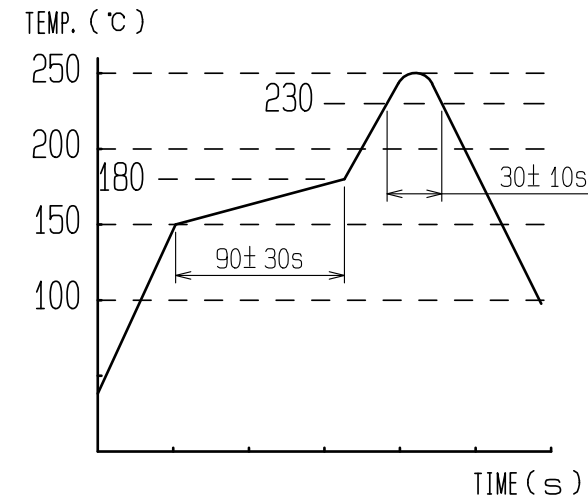


Aug.1.2024 Copyright 2024 HIROSE ELECTRIC CO., LTD. All Rights Reserved.
In case of consideration for using Automotive equipment / device which demand high reliability, kindly contact our sales window correspondents.

RoHS, ELV COMPLIANT

NOTES

- 1) SMT COPLANARITY: 0.1mm MAX.
- 2) RECOMMENDED THICKNESS OF SOLDERING PASTE: 0.12mm
- 3) RECOMMENDED REFLOW PROFILE (SEE RIGHT GRAPH)
TYPE:IR REFLOW
ATMOSPHERE: AIR OR N2
CYCLE TIME: UP TO 2 CYCLES OF REFLOW SOLDERING ARE POSSIBLE UNDER THE CONDITIONS, PROVIDED THAT THERE IS A RETURN TO NORMAL TEMPERATURE BETWEEN THE FIRST AND SECOND CYCLE.
PEAK TEMPERATURE: 250°C
230°C MIN. FOR 20 TO 40 SECONDS.
PREHEATING AREA 150°C TO 180°C FOR 60 TO 120 SECONDS.
- 4) HAND SOLDERING: 280-300°C, 2S MAX.
- 5) RECOMMENDED THICKNESS OF PCB: 1.6mm
- 6) FOR THE PREVENTION EXCESSIVE STRESS FOR CONNECTOR AND PCB, WE RECOMMEND ADDITIONAL SUPPORT MECHANISM IF THE FLANGE WAS ELIMINATED.



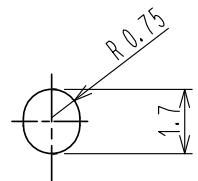
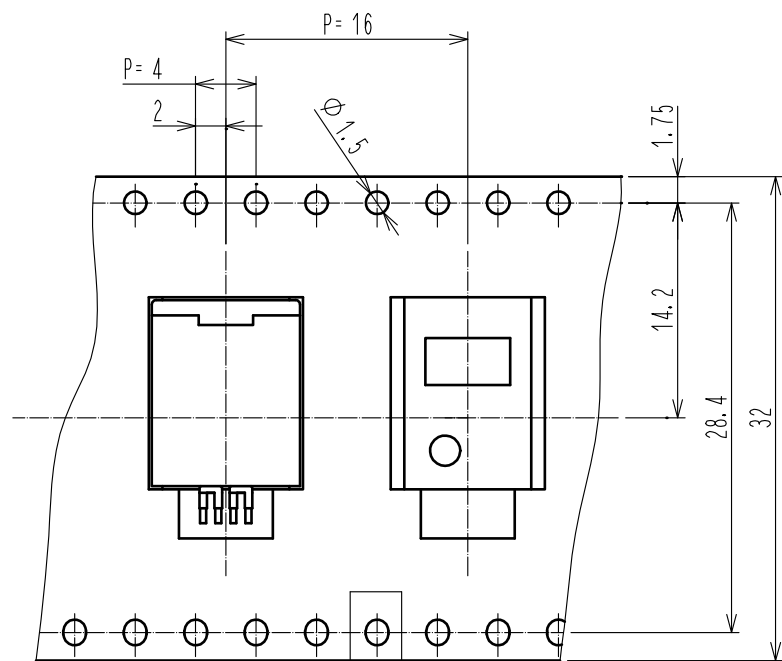
IN COMBINATION WITH STRAIGHT CONNECTOR

IN COMBINATION WITH RIGHT-ANGLE CONNECTOR

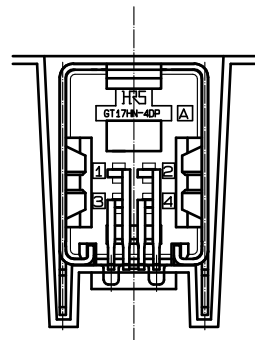
2	PA	BLUE	4	BRASS	TIN PLATING		
1	COPPER ALLOY	TIN PLATING	3	BRASS	TIN PLATING		
NO.	MATERIAL	FINISH . REMARKS	NO.	MATERIAL	FINISH . REMARKS		
UNITS	mm	SCALE	COUNT	DESCRIPTION OF REVISIONS	DESIGNED	CHECKED	DATE
mm		2 : 1	1	DIS-T-00006678	TS. KUBOTA	EJ. WAKATSUKI	20200909
APPROVED : KI. HIROKAWA		20200416		DRAWING NO.		EDC-169398-58-00	
CHECKED : EJ. WAKATSUKI		20200415		PART NO.		GT17HN2-4DP-2H(C)(58)	
DESIGNED : TS. KUBOTA		20200325		CODE NO.		CL767-0295-1-58	
DRAWN : YK. MITSUISHI		20200324					

In case of consideration for using Automotive equipment / device which demand high reliability, kindly contact our sales window correspondents.

REEL DIRECTION 



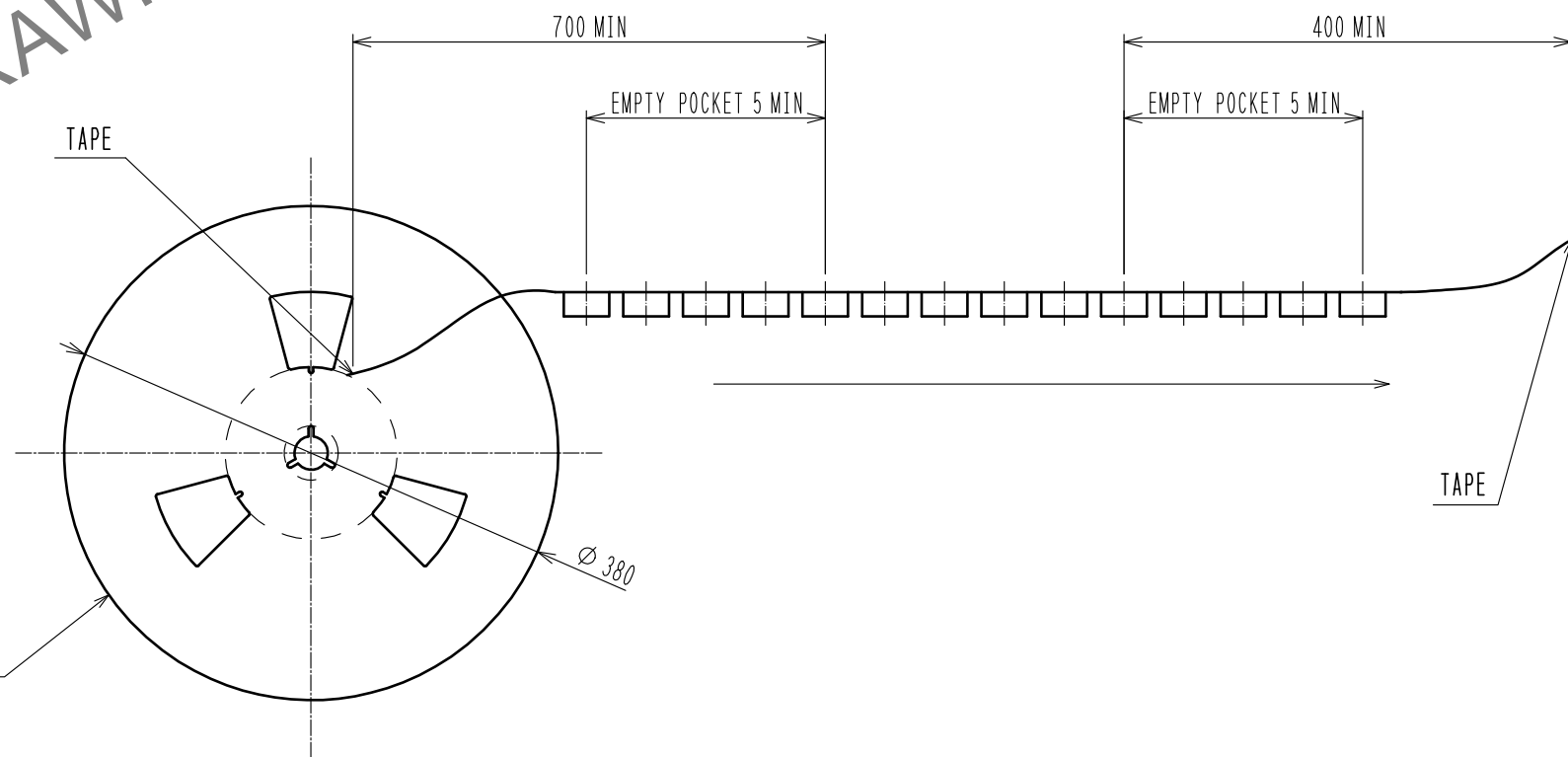
E (5:1)




PACKAGE STYLE
300PCS/REEL

 PLASTIC REEL

HRS DRAWING FOR REFERENCE



HRS	DRAWING NO.	EDC-169398-58-00	 2/2
	PART NO.	GT17HN2-4DP-2H(C)(C)(58)	
	CODE NO.	CL767-0295-1-58	