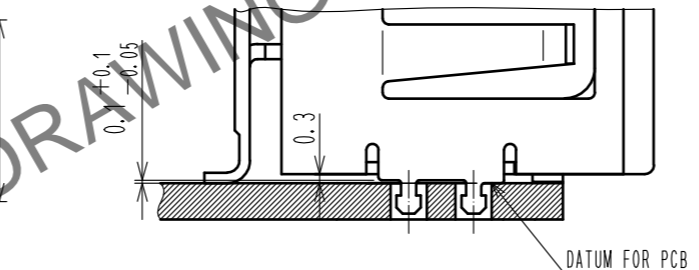
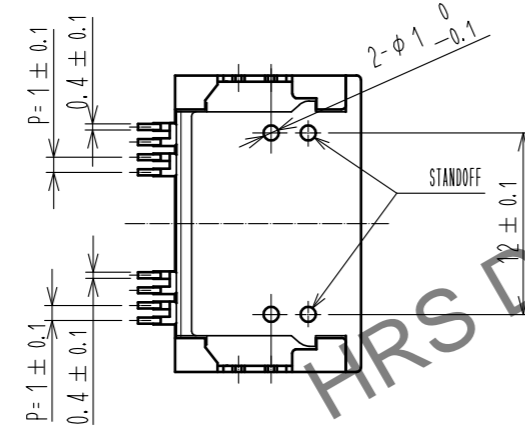
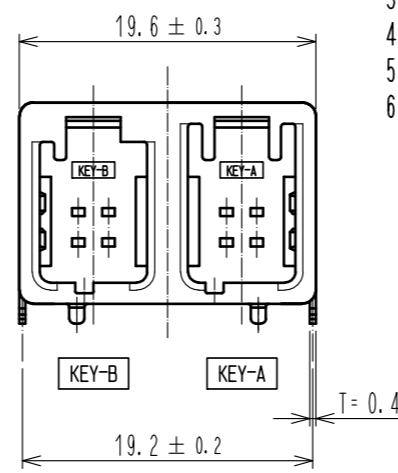
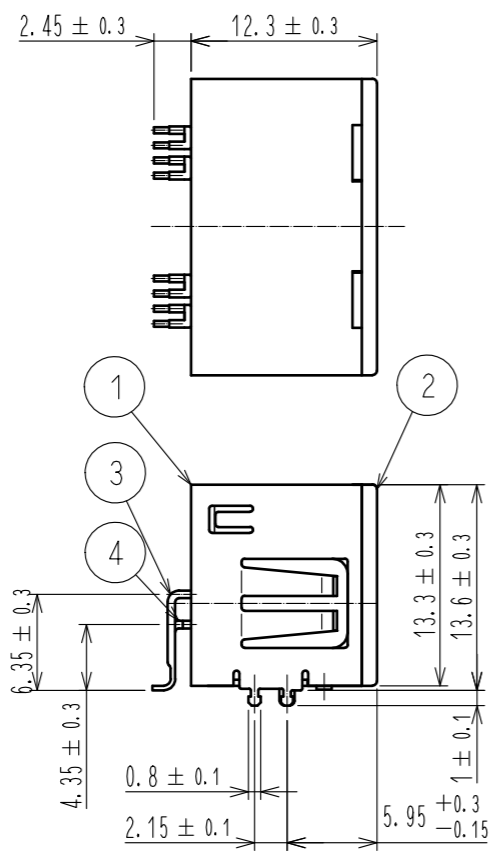
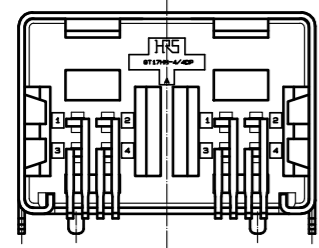
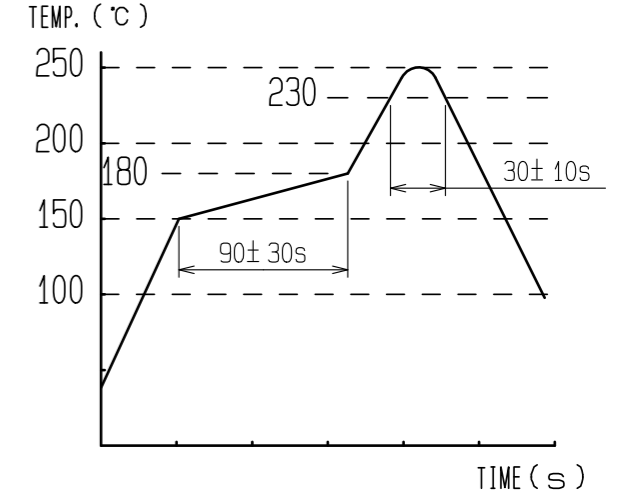


Aug.1.2024 Copyright 2024 HIROSE ELECTRIC CO., LTD. All Rights Reserved.  
In case of consideration for using Automotive equipment / device which demand high reliability, kindly contact our sales window correspondents.

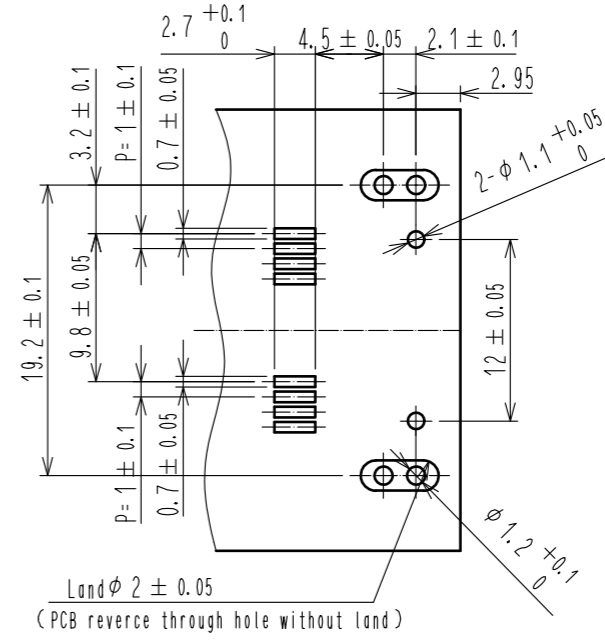
RoHS, ELV COMPLIANT

NOTES

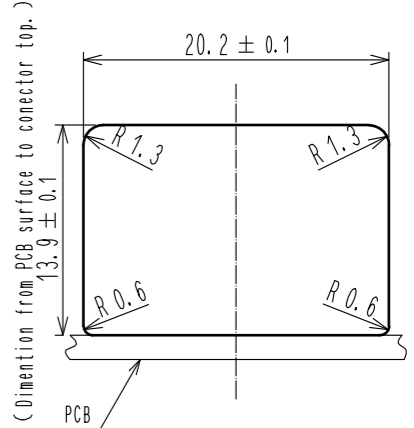
- 1) RECOMMENDED THICKNESS OF SOLDERING PASTE: 0.12mm
- 2) RECOMMENDED REFLOW PROFILE (SEE RIGHT GRAPH)  
CYCLE TIME: UP TO 2 CYCLES OF REFLOW SOLDERING ARE POSSIBLE UNDER THE CONDITIONS, PROVIDED THAT THERE IS A RETURN TO NORMAL TEMPERATURE BETWEEN THE FIRST AND SECOND CYCLE.  
PEAK TEMPERATURE: 250°C  
230°C MIN. FOR 20 TO 40 SECONDS.  
PREHEATING AREA 150-180°C FOR 60 TO 120 SECONDS.
- 3) HAND SOLDERING: 280-300°C, 2S MAX.
- 4) CONTACT COPLANARITY: 0.1mm MAX.
- 5) RECOMMENDED THICKNESS OF PCB: 1.2-1.6mm
- 6) FOR THE PREVENTION EXCESSIVE STRESS FOR CONNECTOR AND PCB, WE RECOMMEND ADDITIONAL SUPPORT MECHANISM IF THE FLANGE WAS ELIMINATED.



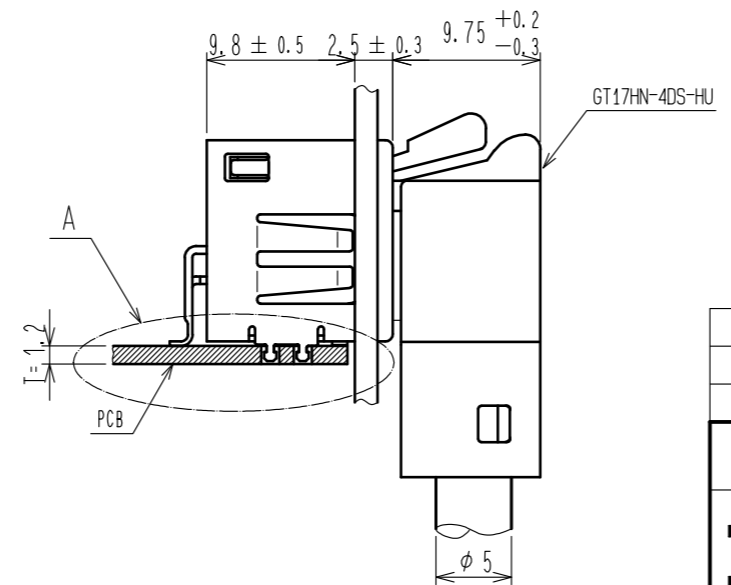
RECOMMENDED PCB LAYOUT



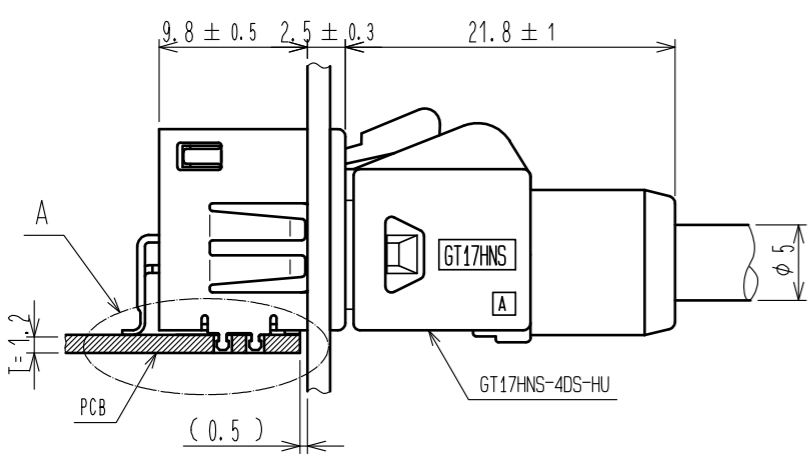
RECOMMENDED PANNEL LAYOUT



IN COMBINATION WITH RIGHT-ANGLE CONNECTOR

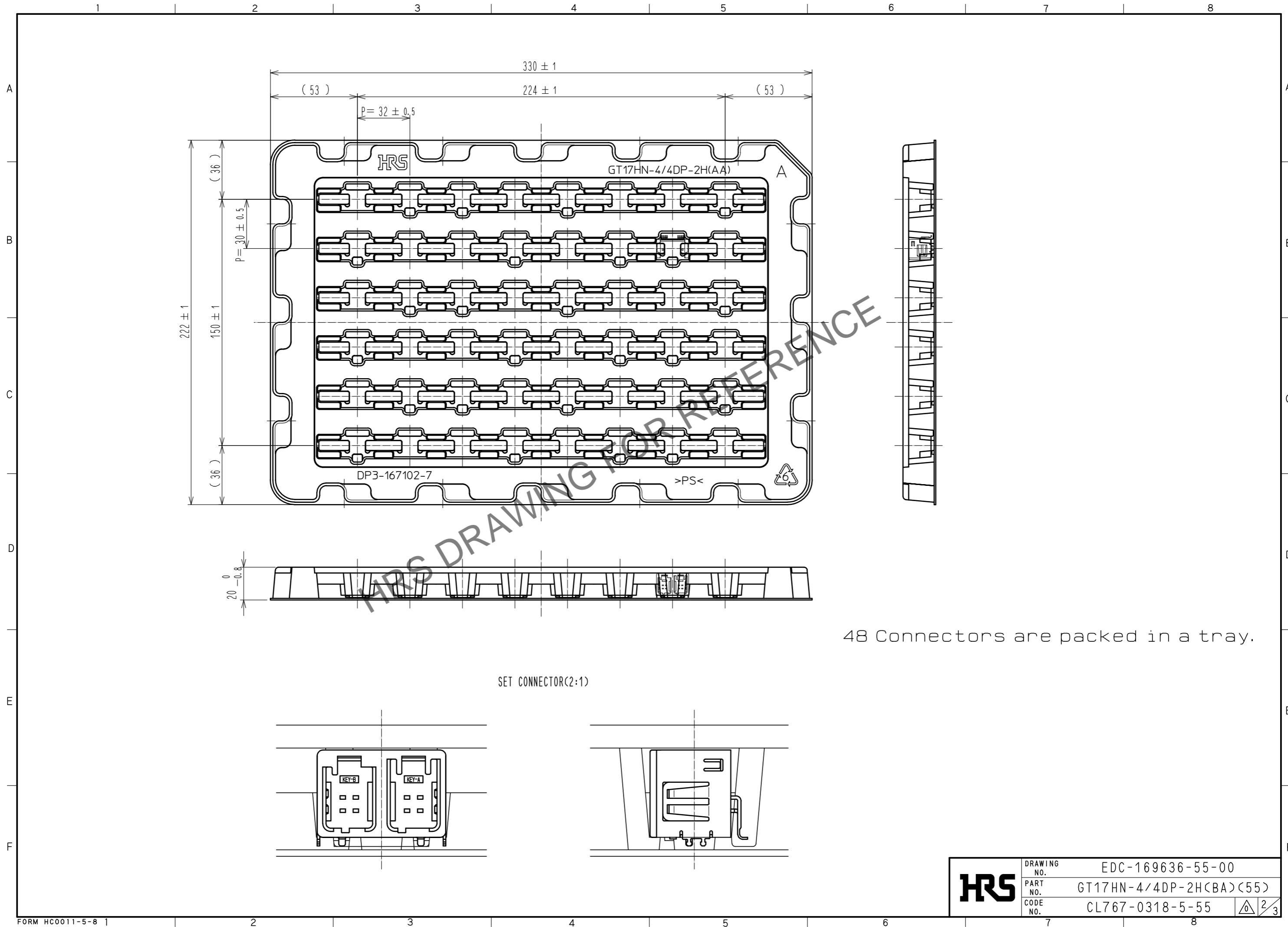


IN COMBINATION WITH STRAIGHT CONNECTOR



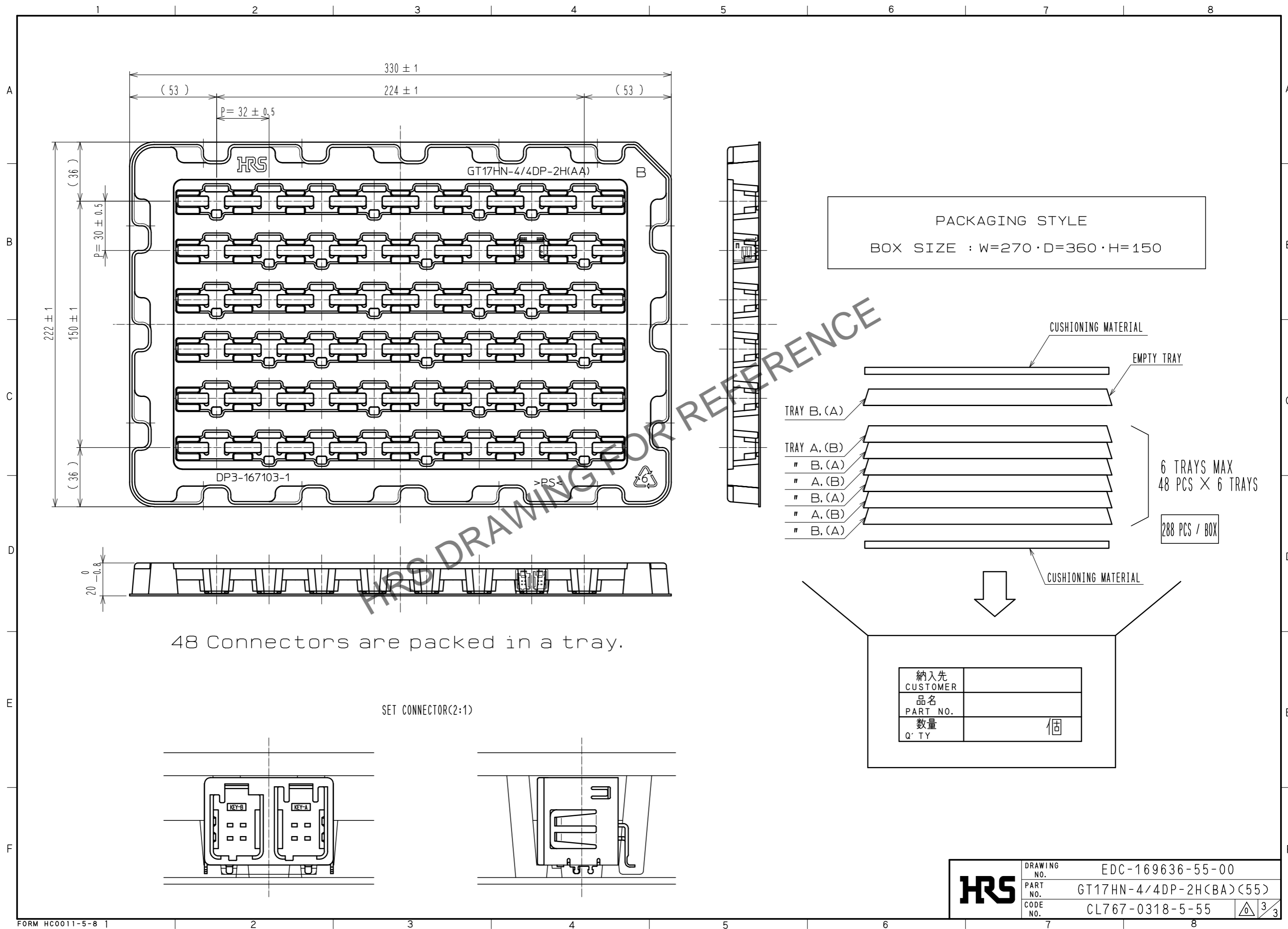
2	PPS	LIGHT GRAY	4	BRASS	TIN PLATING			
1	COPPER ALLOY	TIN PLATING	3	BRASS	TIN PLATING			
NO.	MATERIAL	FINISH . REMARKS	NO.	MATERIAL	FINISH . REMARKS			
UNITS	mm	SCALE	2 : 1	COUNT	DESCRIPTION OF REVISIONS	DESIGNED	CHECKED	DATE
APPROVED : KI. HIROKAWA		20200416	DRAWING NO.		EDC-169636-55-00			
CHECKED : E.J. WAKATSUKI		20200415	PART NO.		GT17HN-4/4DP-2H(BA)(55)			
DESIGNED : TS. KUBOTA		20200325	CODE NO.		CL767-0318-5-55			
DRAWN : YK. MITSUISHI		20200324						

Aug.1.2024 Copyright 2024 HIROSE ELECTRIC CO., LTD. All Rights Reserved.  
In case of consideration for using Automotive equipment / device which demand high reliability, kindly contact our sales window correspondents.



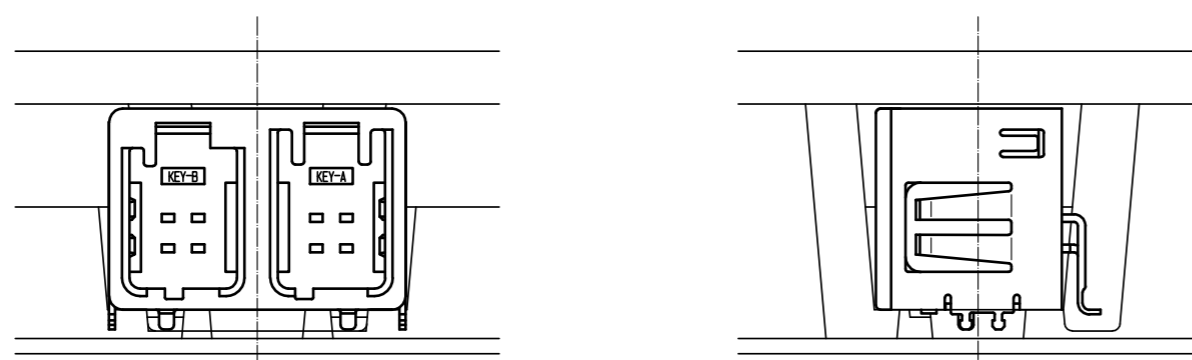
<b>HRS</b>	DRAWING NO.	EDC-169636-55-00
	PART NO.	GT17HN-4/4DP-2H(BA)(55)
	CODE NO.	CL767-0318-5-55
		2/3

Aug.1.2024 Copyright 2024 HIROSE ELECTRIC CO., LTD. All Rights Reserved.  
 In case of consideration for using Automotive equipment / device which demand high reliability, kindly contact our sales window correspondents.

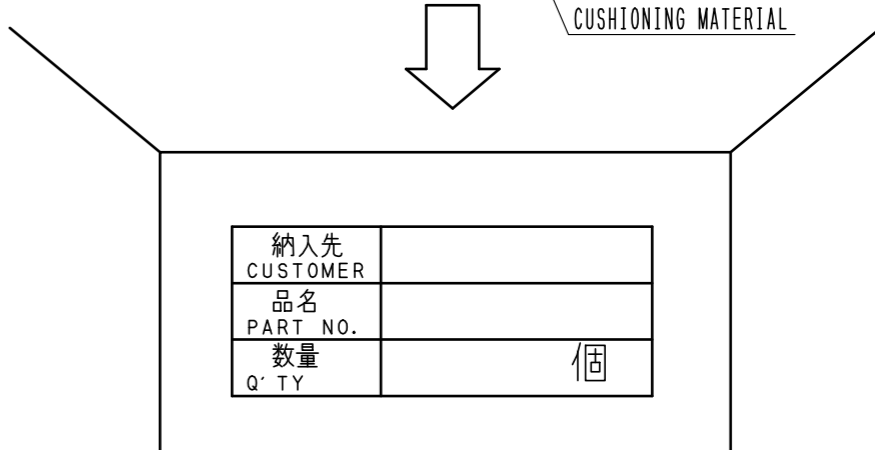
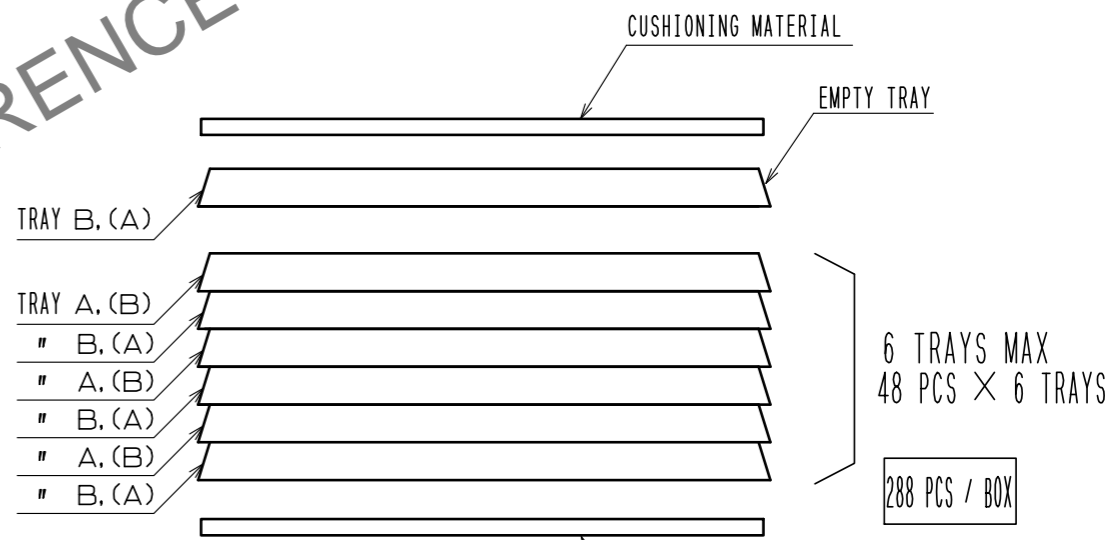


48 Connectors are packed in a tray.

SET CONNECTOR(2:1)



PACKAGING STYLE  
 BOX SIZE : W=270 · D=360 · H=150



<b>HRS</b>	DRAWING NO.	EDC-169636-55-00
	PART NO.	GT17HN-4/4DP-2H(BA)(55)
	CODE NO.	CL767-0318-5-55