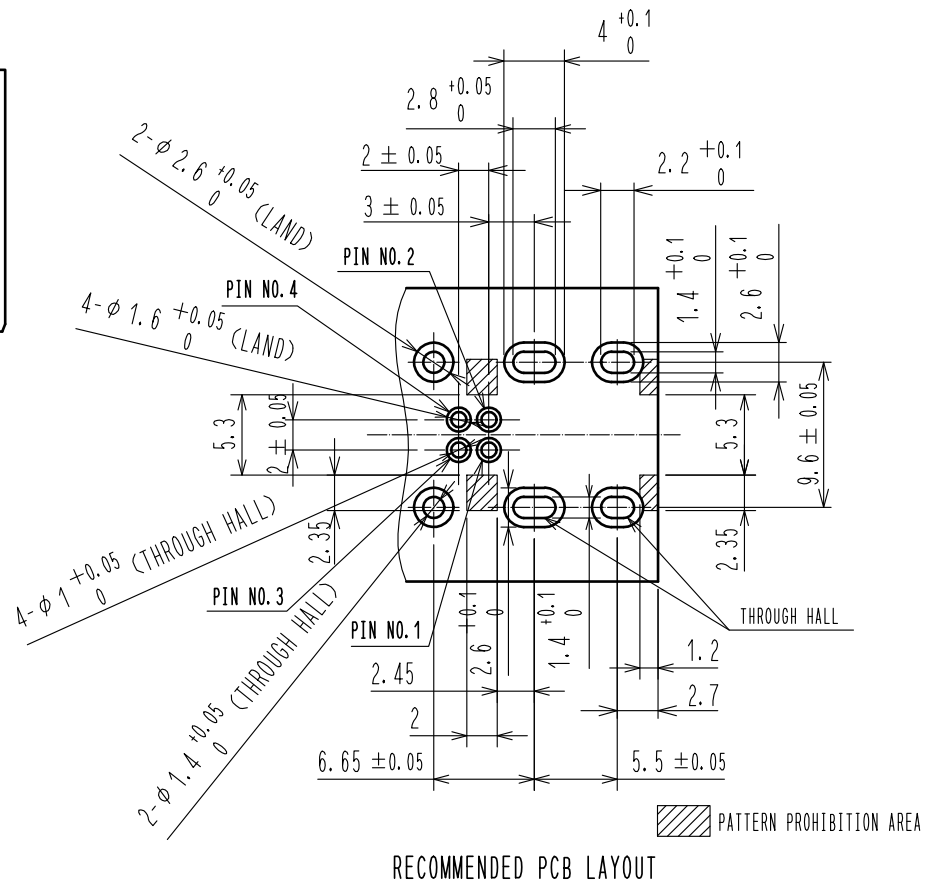
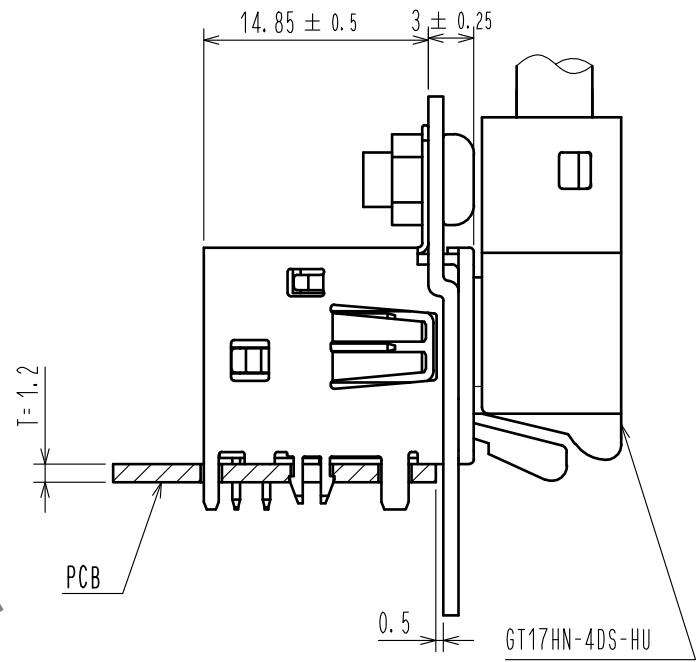
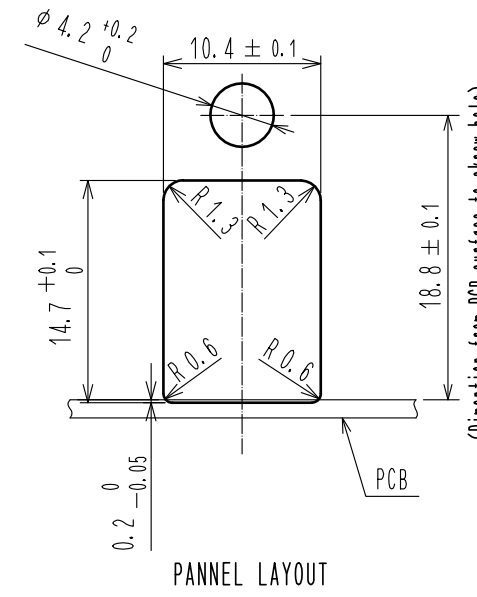
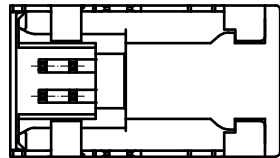
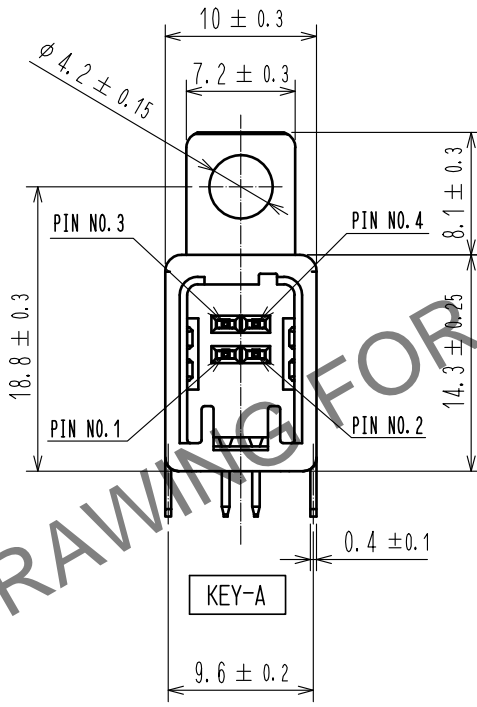
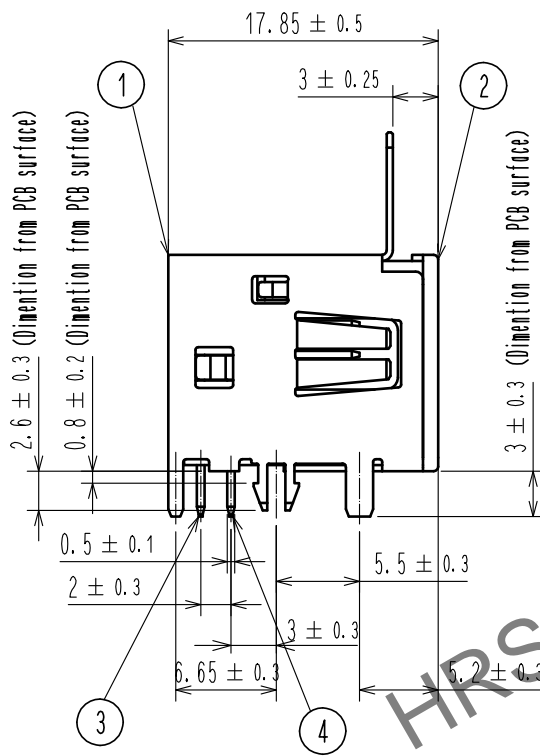
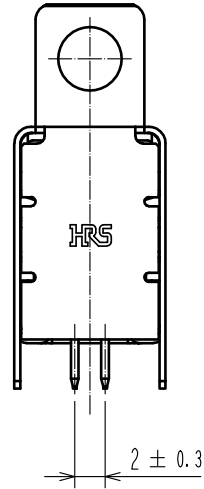
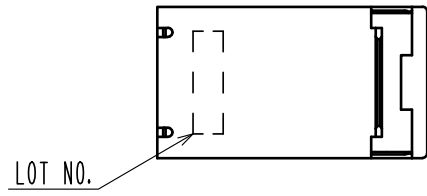


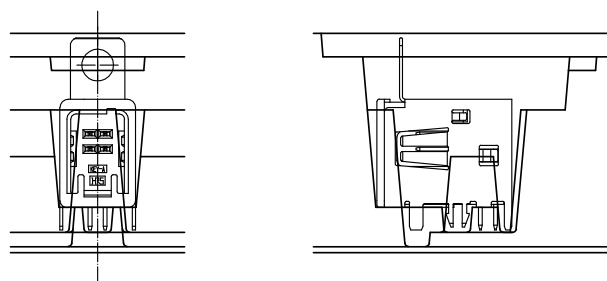
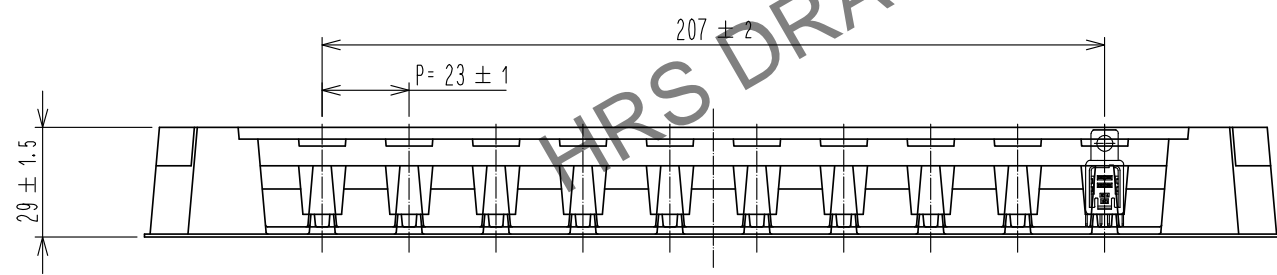
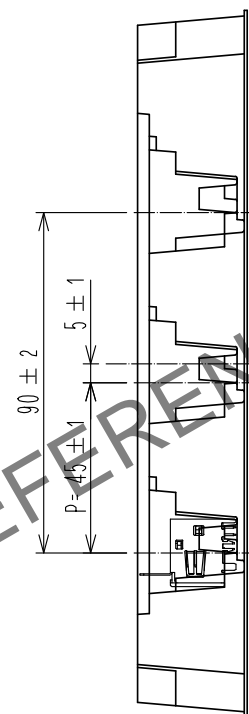
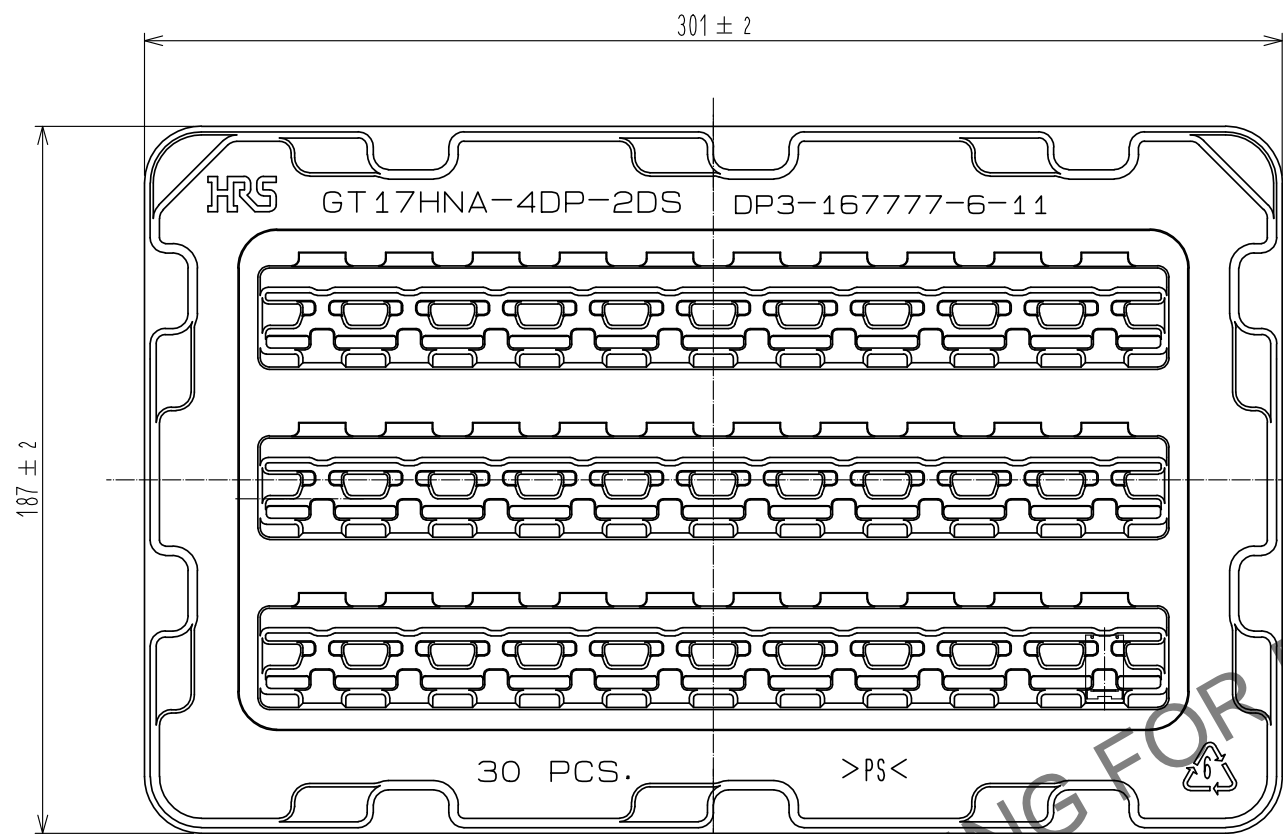
Aug.1.2024 Copyright 2024 HIROSE ELECTRIC CO., LTD. All Rights Reserved.  
In case of consideration for using Automotive equipment / device which demand high reliability, kindly contact our sales window correspondents.

ELV, RoHS COMPLIANT



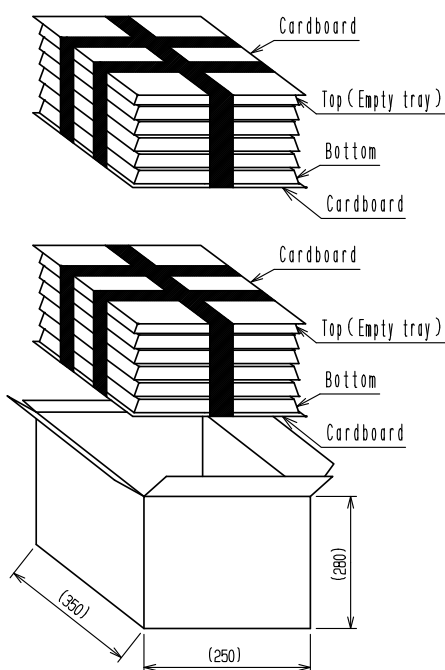
2	PBT	BROWN	4	BRASS	TIN PLATING
1	COPPER ALLOY	TIN PLATING	3	BRASS	TIN PLATING
NO.	MATERIAL	FINISH . REMARKS	NO.	MATERIAL	FINISH . REMARKS
UNITS mm		SCALE 2 : 1	COUNT	DESCRIPTION OF REVISIONS	DESIGNED
				DATE	
APPROVED : KI. HIROKAWA 20200416			DRAWING NO. EDC-169735-55-00		
CHECKED : EJ. WAKATSUKI 20200415			PART NO. GT17HNA-4DP-2DS(A)(55)		
DESIGNED : TS. KUBOTA 20200325			CODE NO. CL767-0322-2-55		
DRAWN : YK. MITSUISHI 20200324			DATE 1/2		

Aug.1.2024 Copyright 2024 HIROSE ELECTRIC CO., LTD. All Rights Reserved.  
 In case of consideration for using Automotive equipment / device which demand high reliability, kindly contact our sales window correspondents.



Packaging condition (1 : 1)

**Packaging style**  
 Box size:W=250 · D=350 · H=280  
 Described client, quantity and product on boxes



30pcs/Tray  
 6trays(Sixth tray is empty)/Set  
 150pcs×2set=300pcs/box

<b>HRS</b>	DRAWING NO.	EDC-169735-55-00
	PART NO.	GT17HNA-4DP-2DS(A)(55)
	CODE NO.	CL767-0322-2-55
		2/2