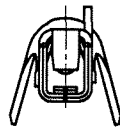


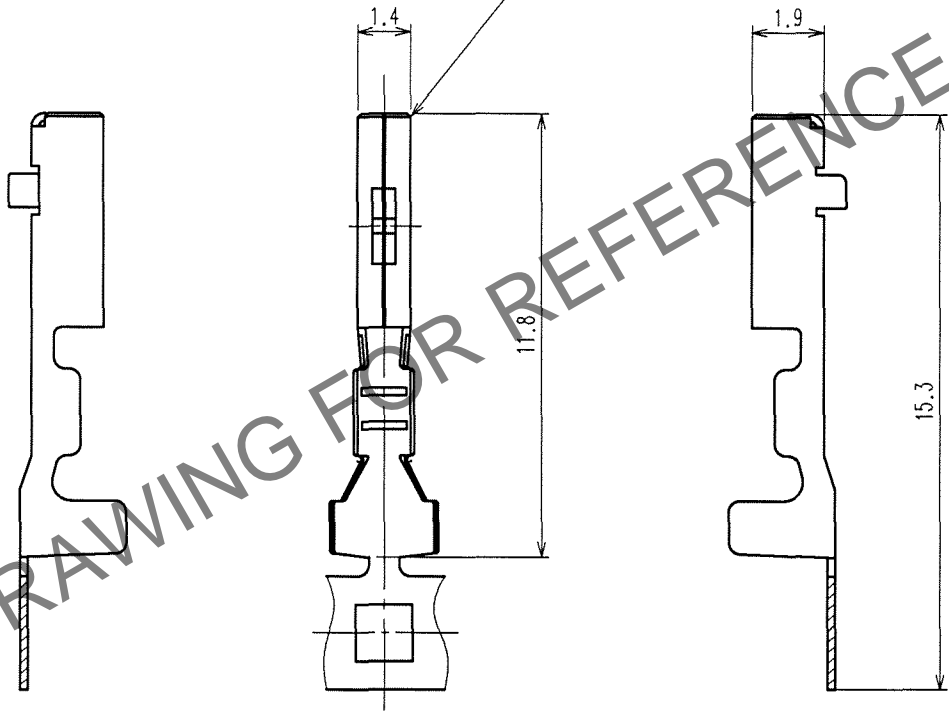
Jun.1.2024 Copyright 2024 HIROSE ELECTRIC CO., LTD. All Rights Reserved.
 In case of consideration for using Automotive equipment / device which demand high reliability, kindly contact our sales window correspondents.

1	2				3				4				
COUNT	DESCRIPTION OF REVISIONS			BY	CHKD	DATE	COUNT	DESCRIPTION OF REVISIONS			BY	CHKD	DATE
△							△						. .
△							△						. .
△							△						. .

ELV. RoHS COMPLIANT



1



HRS DRAWING FOR REFERENCE

1	COPPER ALLOY	TIN PLATED
NO.	MATERIAL	FINISH, REMARKS

CODE NO. (OLD) CL?	DRAWN S. KURIYA 07.6.6	DESIGNED N. HARUBAYASHI 05.4.7	CHECKED <i>K. Sato</i> 07.6.6	APPROVED <i>K. Sato</i> 07.6.6	RELEASED
-----------------------	------------------------------	--------------------------------------	-------------------------------------	--------------------------------------	----------

TO

 SCALE 5 : 1 UNITS mm	DRAWING NO. EDC4-166484	PART NO. GT25-2428SCF
	 HIROSE ELECTRIC CO., LTD.	CODE NO. CL775-0013-2

1/1

