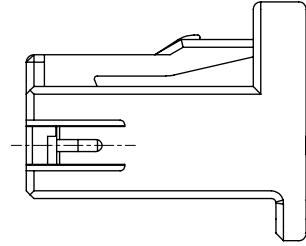
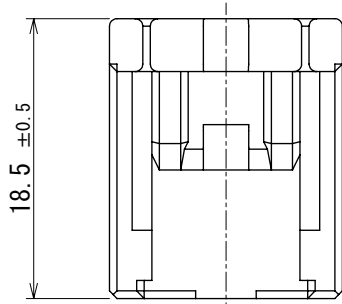
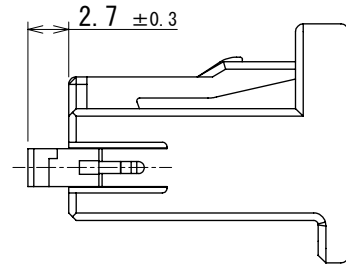
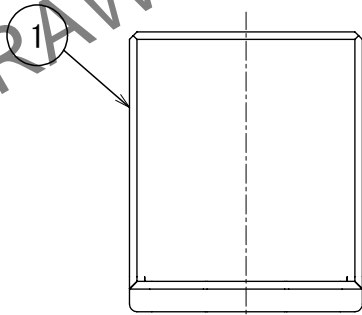
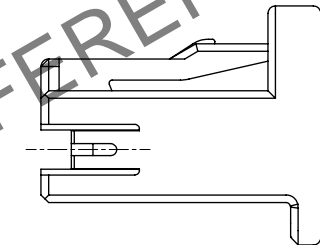
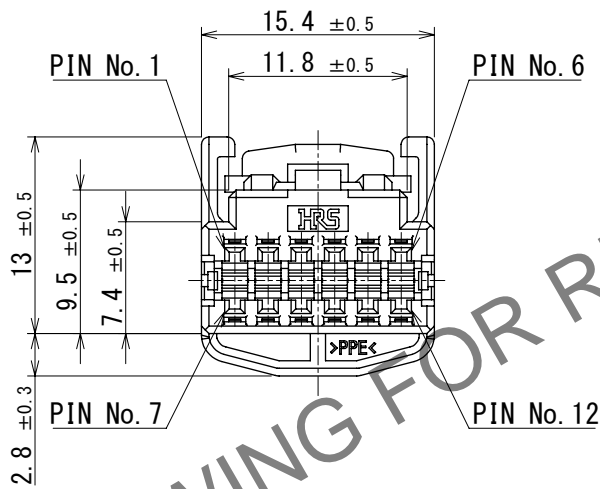


Jul.1.2024 Copyright 2024 HIROSE ELECTRIC CO., LTD. All Rights Reserved.
 In case of consideration for using Automotive equipment / device which demand high reliability, kindly contact our sales window correspondents.

ELV, RoHS COMPLIANT



② RETAINER COMPLETELY ASSEMBLED CONDITION



① RETAINER PRESET CONDITION

NOTE. ① Use this product with retainer GT25-12DS-R preset.
 Retainer GT25-12DS-R product No. : CL0775-0041-8

NOTE. ② RETAINER TO BE COMPLETELY ASSEMBLED INTO POSITION AFTER CONTACT IS INSERTED.

NOTE. ③ PLEASE REFER TO INSTRUCTION SHEET ETAD-T0329-00 BEFORE USE.

1	PPE	BLACK						
NO.	MATERIAL	FINISH	REMARKS	NO.	MATERIAL	FINISH	REMARKS	
UNITS		SCALE	COUNT	DESCRIPTION OF REVISIONS		DESIGNED	CHECKED	DATE
mm				2:1	1	DIS-T-00017996	AN. SAIKI	TY. MOGI
HRS HIROSE ELECTRIC CO., LTD.	APPROVED	AR. SHIRAI	2017. 04. 20	DRAWING NO.	EDC-168735-50-00			
	CHECKED	HS. OZAWA	2017. 04. 20	PART NO.	GT25-12DS-HU (50)			
	DESIGNED	TK. SHISHIKURA	2017. 04. 20	CODE NO.	CL0775-0037-0-50			
	DRAWN	TK. SHISHIKURA	2017. 04. 20					