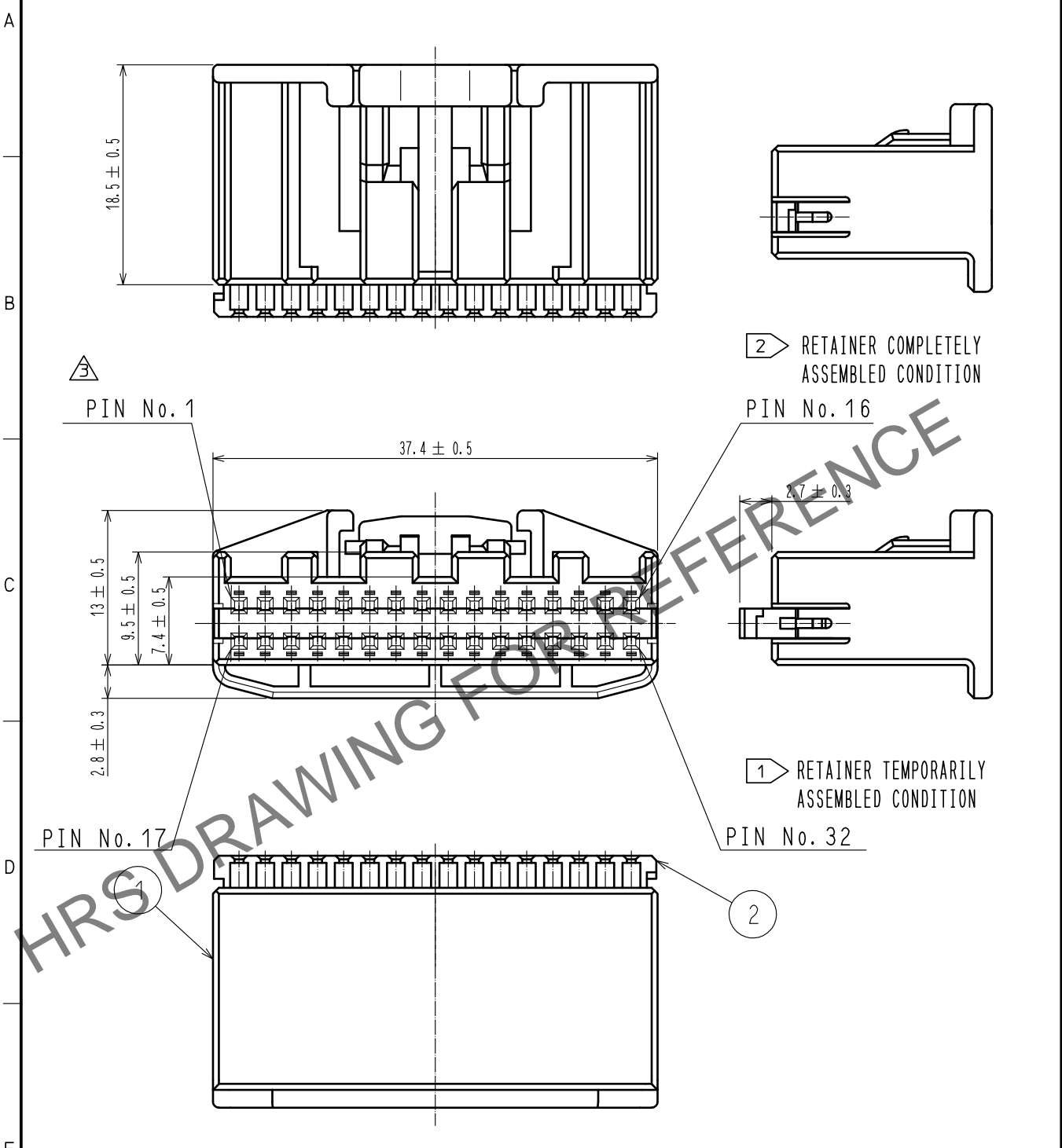


Jun.1.2024 Copyright 2024 HIROSE ELECTRIC CO., LTD. All Rights Reserved.
In case of consideration for using Automotive equipment / device which demand high reliability, kindly contact our sales window correspondents.

ELV. RoHS COMPLIANT



NOTE. 1 RETAINER IS TEMPORARILY ASSEMBLED INTO HOUSING.
NOTE. 2 RETAINER TO BE COMPLETELY ASSEMBLED INTO POSITION AFTER CONTACT IS INSERTED.

1	PPE	BLACK	2	PBT	DARK GRAY		
NO.	MATERIAL	FINISH . REMARKS	NO.	MATERIAL	FINISH . REMARKS		
UNITS mm		SCALE 2 : 1	COUNT 3 1	DESCRIPTION OF REVISIONS DIS-T-00000407	DESIGNED YT. HAYAKAWA	CHECKED HS. OZAWA	DATE 15. 07. 14
HRS HIROSE ELECTRIC CO., LTD.	APPROVED	AR. SHIRAI	12. 01. 05	DRAWING NO.	EDC4-169062-00		
	CHECKED	NH. NAKATA	12. 01. 05	PART NO.	GT25-32DS-HU/R		
	DESIGNED	TK. SHISHIKURA	12. 01. 05	CODE NO.	CL775-0044-6-00		1/1
	DRAWN	TK. SHISHIKURA	12. 01. 05				