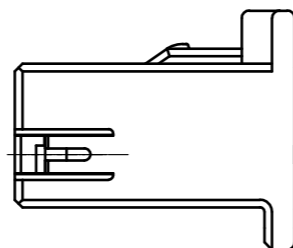
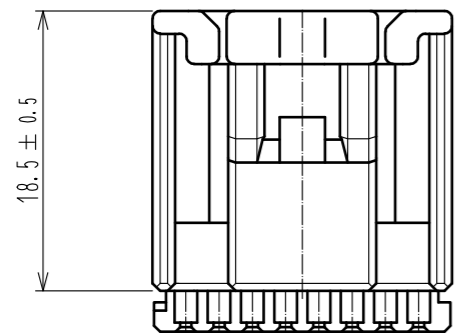
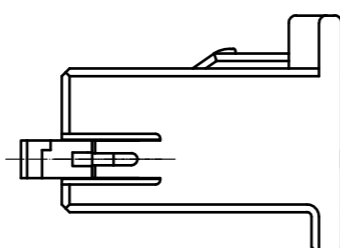
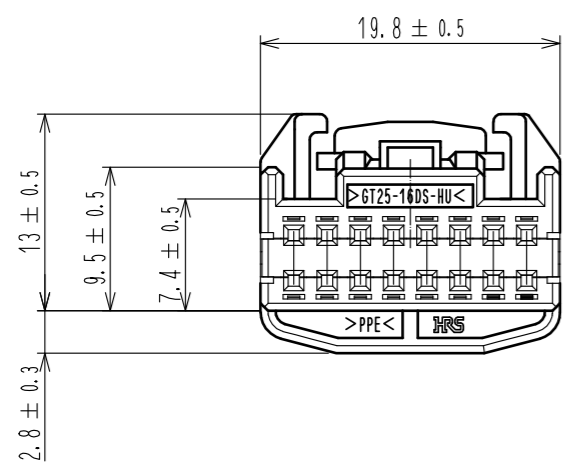


Jun.1.2024 Copyright 2024 HIROSE ELECTRIC CO., LTD. All Rights Reserved.  
In case of consideration for using Automotive equipment / device which demand high reliability, kindly contact our sales window correspondents.

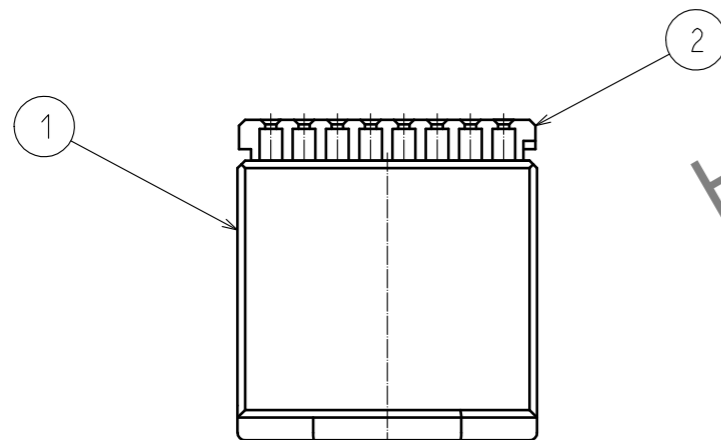
ELV. RoHS COMPLIANT



2 RETAINER COMPLETELY ASSEMBLED CONDITION



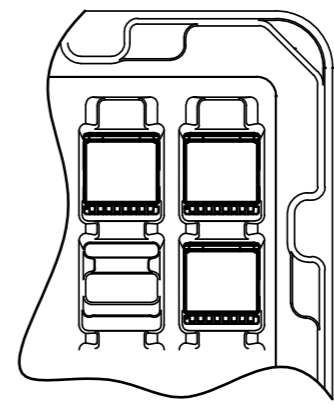
1 RETAINER TEMPORARILY ASSEMBLED CONDITION



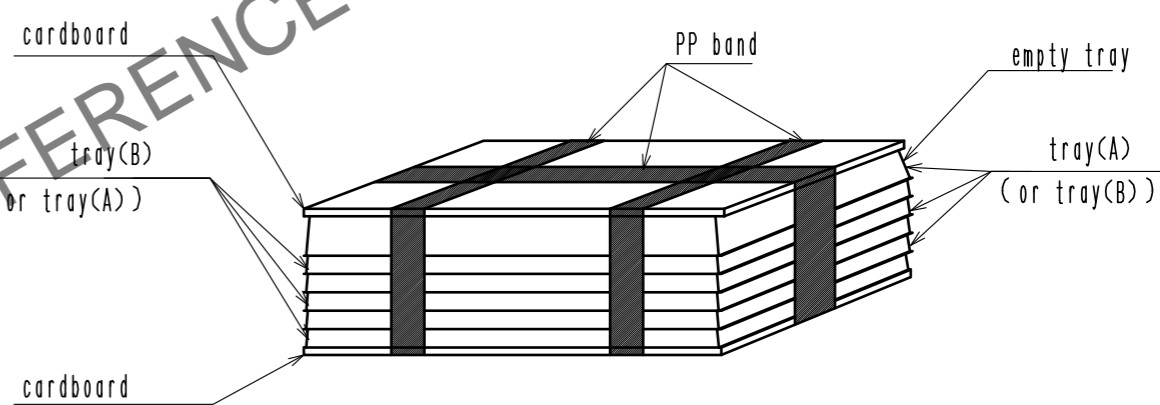
NOTE. 1 Retainer is temporarily assembled into housing.  
2 Assemble the retainer into this position after contacts are inserted.

PACKAGE SPECIFICATION

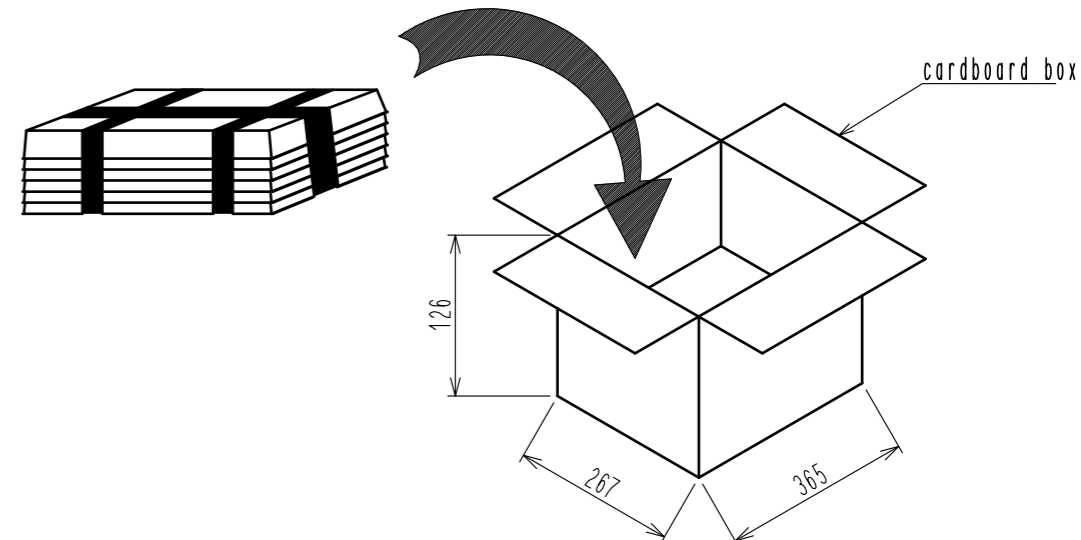
• Tray package condition



• Stacking condition (6 trays, top tray is empty)



• Cardboard box package condition. (84pcs/stack × 5 stacks = 420pcs)



HRS DRAWING FOR REFERENCE

1	PPE	BLACK	2	PBT	DARK GRAY		
NO.	MATERIAL	FINISH . REMARKS	NO.	MATERIAL	FINISH . REMARKS		
UNITS mm		SCALE 2 : 1	COUNT 	DESCRIPTION OF REVISIONS	DESIGNED	CHECKED	DATE
<b>HRS</b> HIROSE ELECTRIC CO., LTD.		APPROVED : NH. NAKATA	16.03.28	DRAWING NO.	EDC3-169578-00		
		CHECKED : HS. OZAWA	16.03.28	PART NO.	GT25-16DS-HU/R		
		DESIGNED : YT. HAYAKAWA	16.03.28	CODE NO.	CL775-0063-0-00		
		DRAWN : YT. HAYAKAWA	16.03.28				