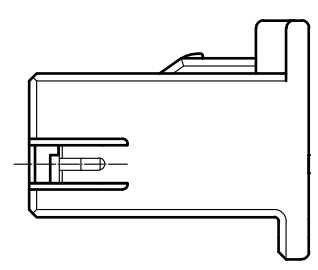
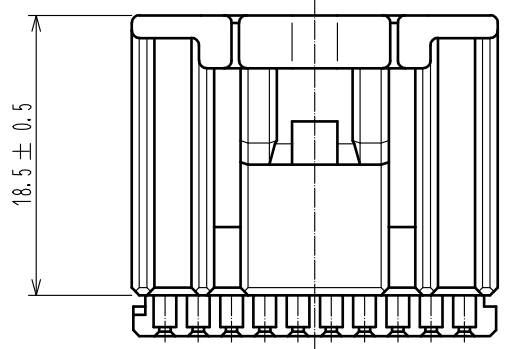
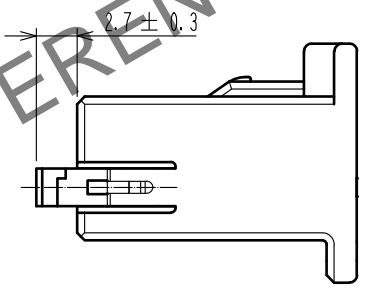
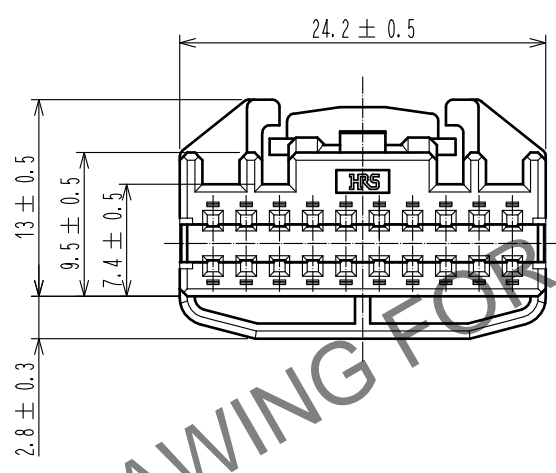


Jun.1.2024 Copyright 2024 HIROSE ELECTRIC CO., LTD. All Rights Reserved.  
 In case of consideration for using Automotive equipment / device which demand high reliability, kindly contact our sales window correspondents.

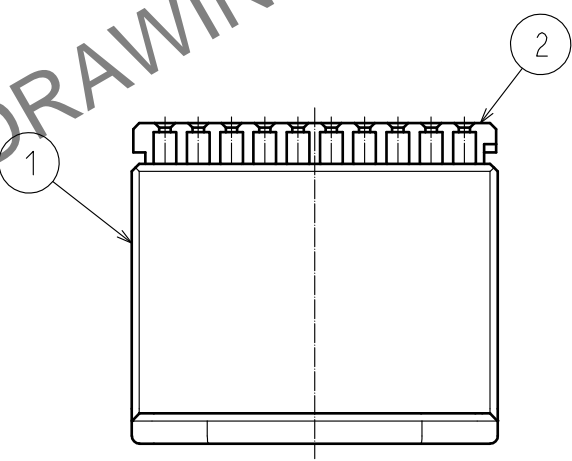
ELV. RoHS COMPLIANT



2 RETAINER COMPLETELY ASSEMBLED CONDITION



1 RETAINER TEMPORARILY ASSEMBLED CONDITION



NOTE. 1 RETAINER IS TEMPORARILY ASSEMBLED INTO HOUSING.  
 NOTE. 2 RETAINER TO BE COMPLETELY ASSEMBLED INTO POSITION AFTER CONTACT IS INSERTED.

1	PPE	BLACK	2	PBT	DARK GRAY		
NO.	MATERIAL	FINISH . REMARKS	NO.	MATERIAL	FINISH . REMARKS		
UNITS mm		SCALE 2 : 1	COUNT 	DESCRIPTION OF REVISIONS	DESIGNED	CHECKED	DATE
HIROSE ELECTRIC CO., LTD.	APPROVED : NH. NAKATA	15. 08. 24	DRAWING NO.	EDC-352969-00-00			
	CHECKED : HS. OZAWA	15. 08. 24	PART NO.	GT25-20DS-HU/R			
	DESIGNED : TK. SHISHIKURA	15. 08. 24	CODE NO.	CL775-0074-7-00		1/1	
	DRAWN : TK. SHISHIKURA	15. 08. 24					