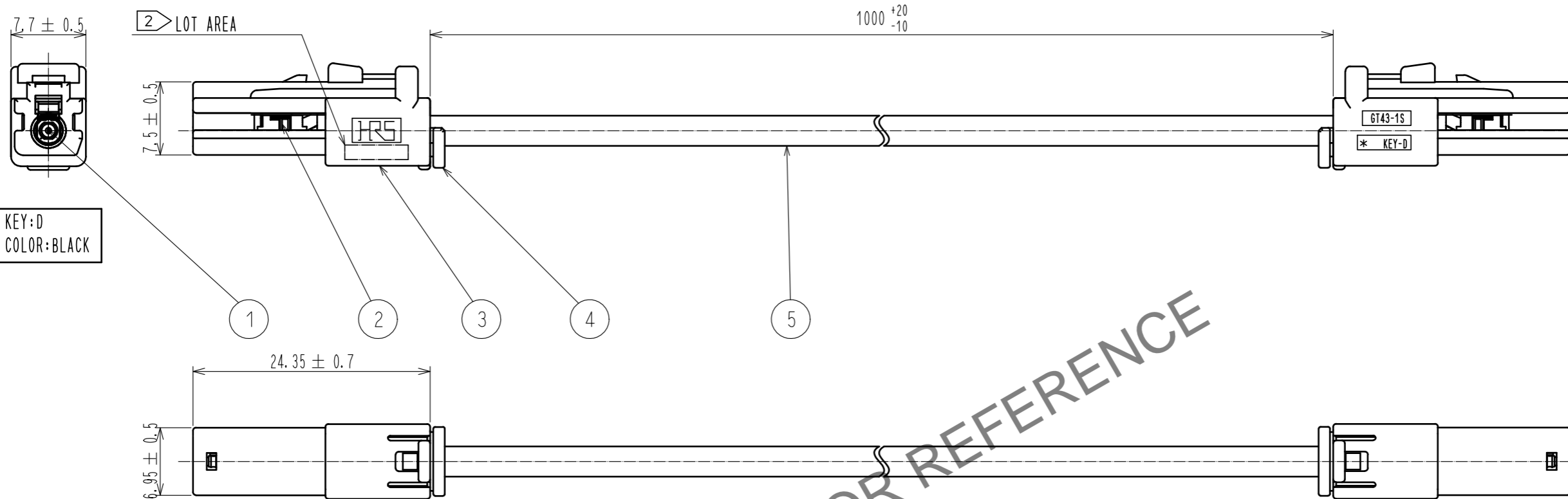


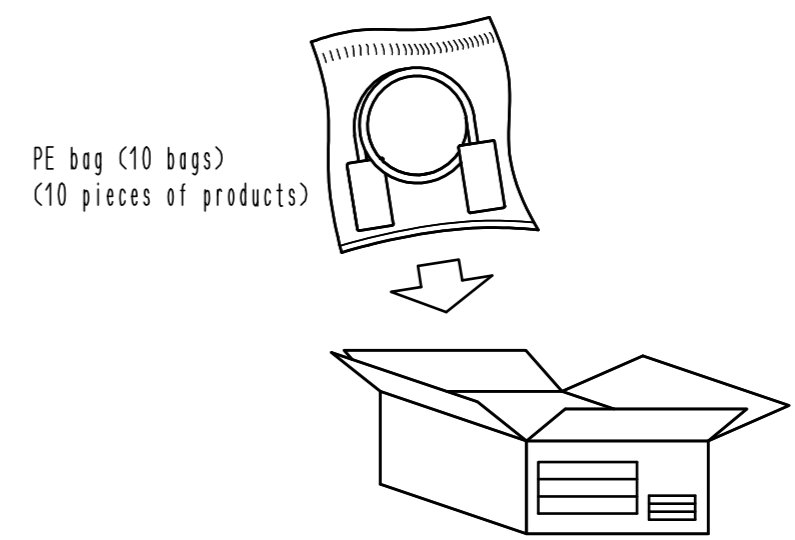
Jun.1.2024 Copyright 2024 HIROSE ELECTRIC CO., LTD. All Rights Reserved.  
 In case of consideration for using Automotive equipment / device which demand high reliability, kindly contact our sales window correspondents.

ELV, RoHS COMPLIANT



HRS DRAWING FOR REFERENCE

NOTE1. Packing method is as followings.  
 (1) Pack harness products into PE bag. Maximum 10 pieces per bag.  
 Close the bag mouth with heat seal, cellophane tape etc.  
 (2) Pack the packed PE bag into cardboard.  
 Maximum 10 bags (Harness product maximum 100 pieces) per box.  
 Put cushioning material inside so that PE bag do not rattle inside the cardboard.  
 (3) Indicate the delivery destination name, part name, part number, quantity and lot number to the cardboard box.  
 2 Lot marking to the specified area.



3	GT43-1S-HU(D)	CL0753-1010-0-00			
2	GT43-1P/S-CSB	CL0753-1005-0-00	5	CABLE	Shikoku Cable 1.5DS-QEHB
1	GT43-2428/1.6-2.9SCF	CL0753-1003-0-00	4	GT43-1P/S-R	CL0753-1007-0-00
NO.	MATERIAL	FINISH . REMARKS	NO.	MATERIAL	FINISH . REMARKS
UNITS mm		SCALE FREE	COUNT 	DESCRIPTION OF REVISIONS	
				DESIGNED	CHECKED
				DATE	
<b>HRS</b> HIROSE ELECTRIC CO., LTD.		APPROVED : KI. HIROKAWA	20210330	DRAWING NO. EDC-395703-00-00	
		CHECKED : MO. OKADA	20210330	PART NO. WGT43GT43-1190	
		DESIGNED : KN. MIKAMI	20210330	CODE NO. CL0781-1190-0-00	
		DRAWN : HR. IWAI	20210330		