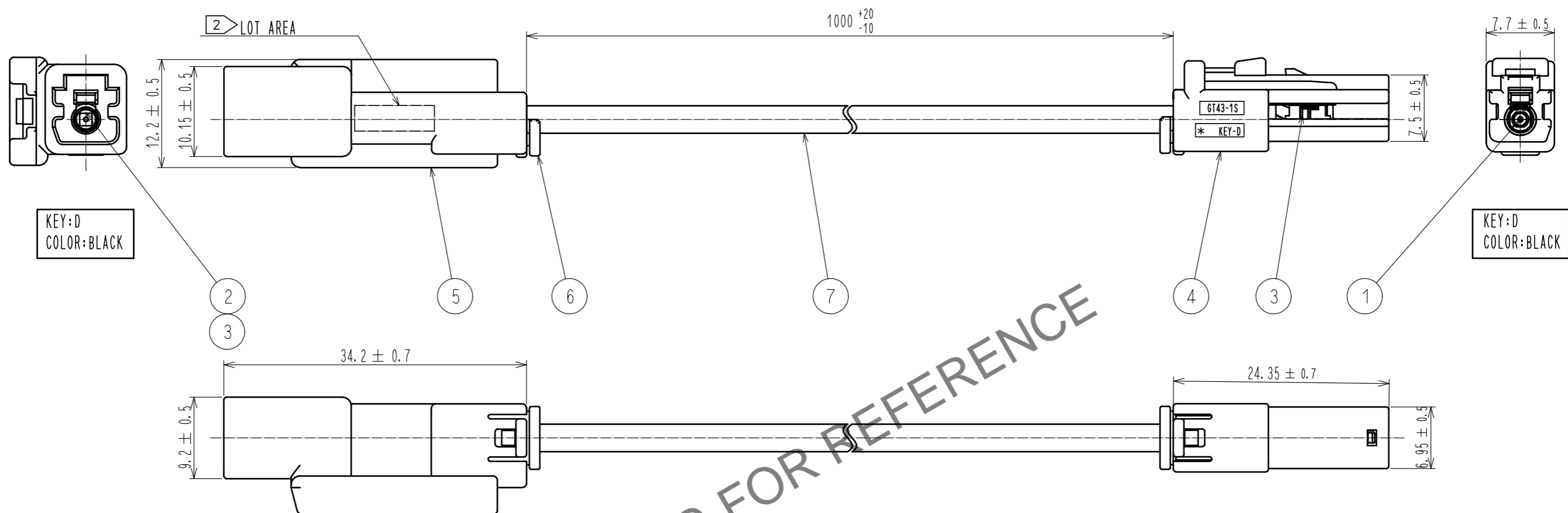


Jun.1.2024 Copyright 2024 HIROSE ELECTRIC CO., LTD. All Rights Reserved.
 In case of consideration for using Automotive equipment / device which demand high reliability, kindly contact our sales window correspondents.

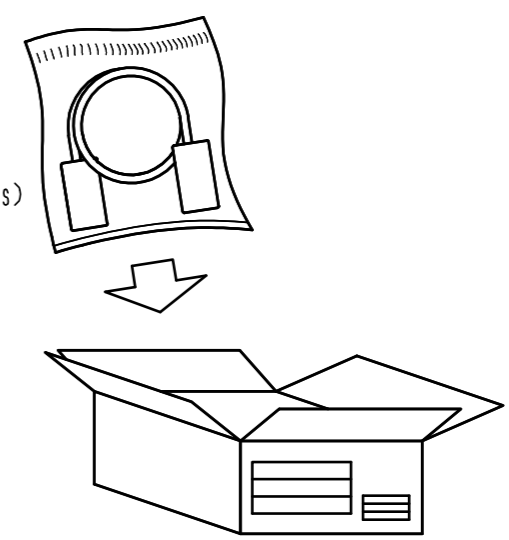
ELV, RoHS COMPLIANT



HRS DRAWING FOR REFERENCE

NOTE1. Packing method is as followings.
 (1) Pack harness products into PE bag. Maximum 10 pieces per bag.
 Close the bag mouth with heat seal, cellophane tape etc.
 (2) Pack the packed PE bag into cardboard.
 Maximum 6 bags (Harness product maximum 60 pieces) per box.
 Put cushioning material inside so that PE bag do not rattle inside the cardboard.
 (3) Indicate the delivery destination name, part name, part number, quantity and lot number to the cardboard box.
 2 Lot marking to the specified area.

PE bag (6 bags)
 (10 pieces of products)



4	GT43-1S-HU(D)	CL0753-1010-0-00			
3	GT43-1P/S-CSB	CL0753-1005-0-00	7	CABLE	Shikoku Cable 1.5DS-QEHB
2	GT43-2428/1.6-2.9PCF	CL0753-1004-0-00	6	GT43-1P/S-R	CL0753-1007-0-00
1	GT43-2428/1.6-2.9SCF	CL0753-1003-0-00	5	GT43-1PP-HU(D)	CL0753-1006-0-00
NO.	MATERIAL	FINISH . REMARKS	NO.	MATERIAL	FINISH . REMARKS
UNITS mm		SCALE FREE	COUNT 	DESCRIPTION OF REVISIONS	
APPROVED : KI. HIROKAWA 20210330			DESIGNED	EDC-395729-00-00	
CHECKED : MO. OKADA 20210330			CHECKED	WGT43GT43-1192	
DESIGNED : KN. MIKAMI 20210330			DATE	CL0781-1192-0-00	
DRAWN : HR. IWAI 20210330					