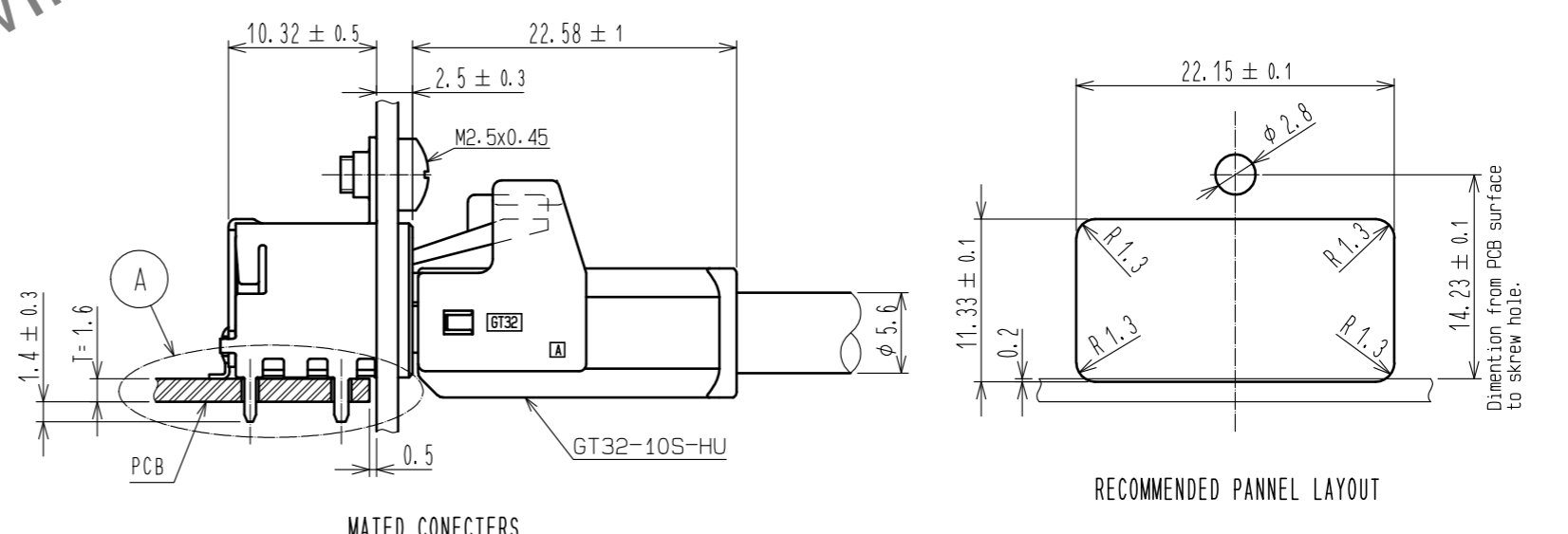
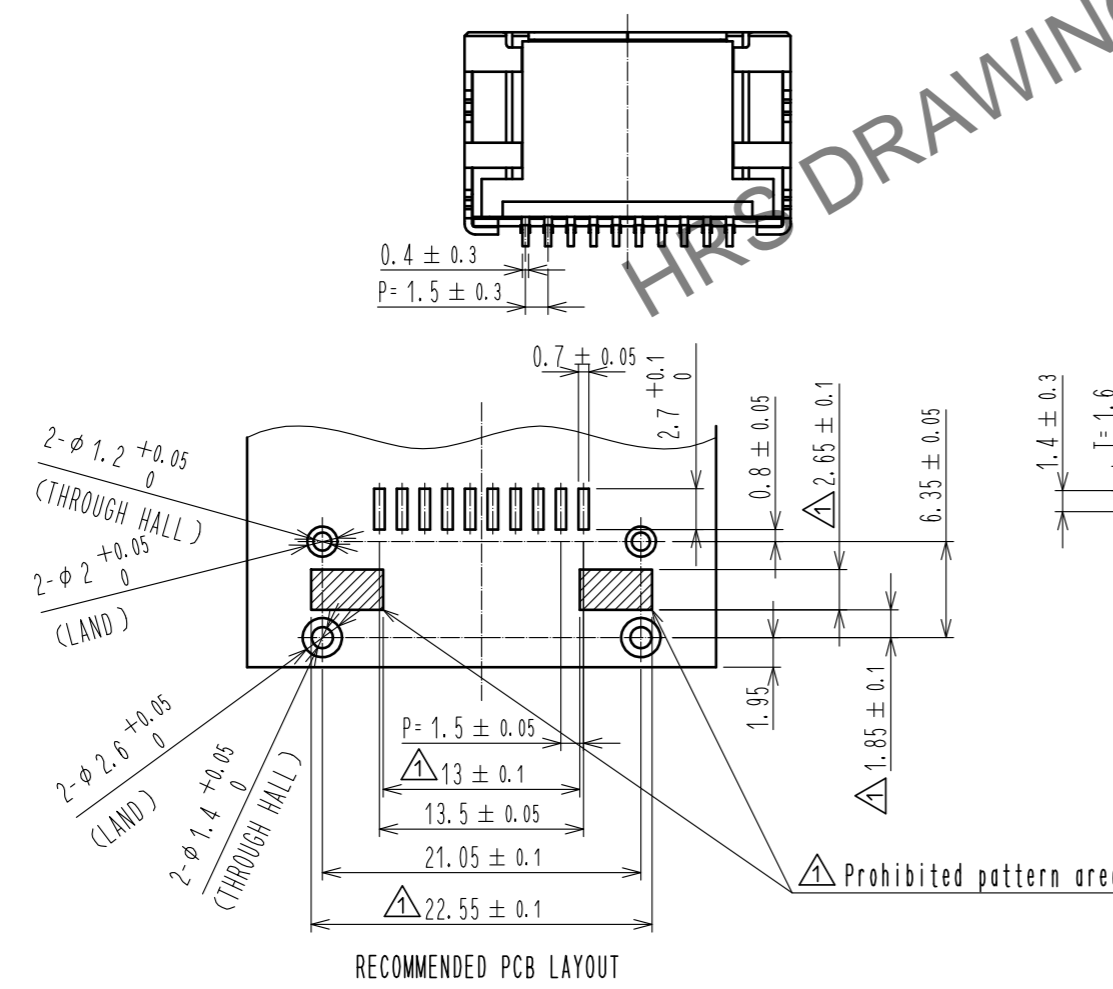
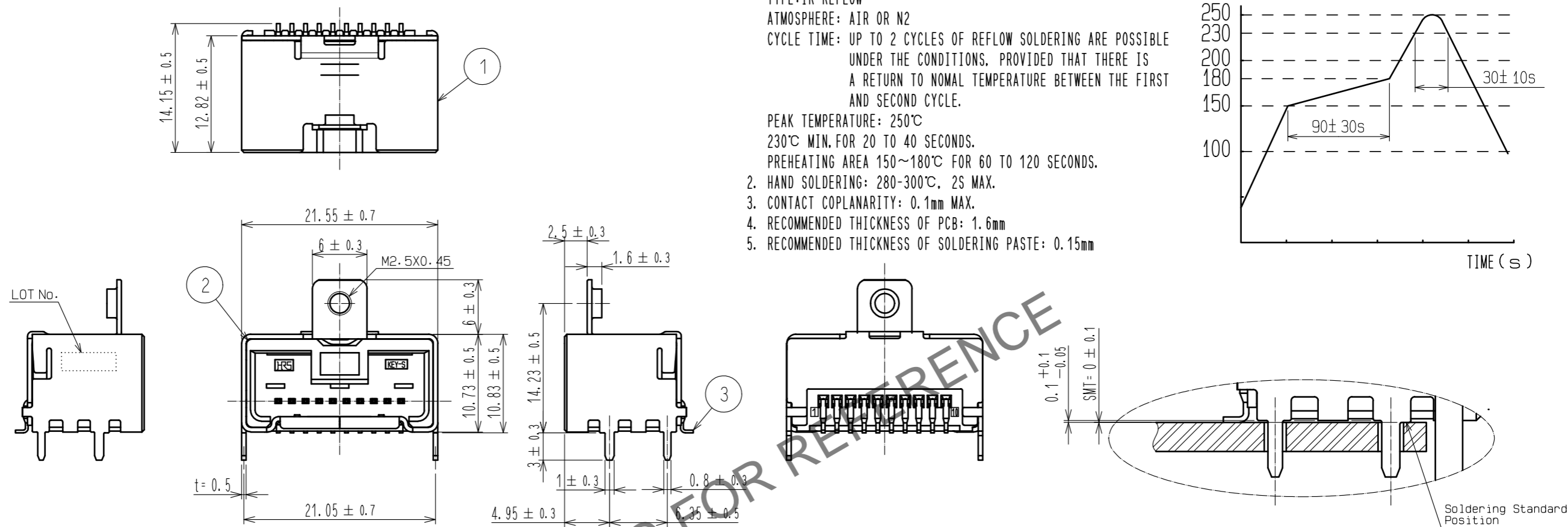
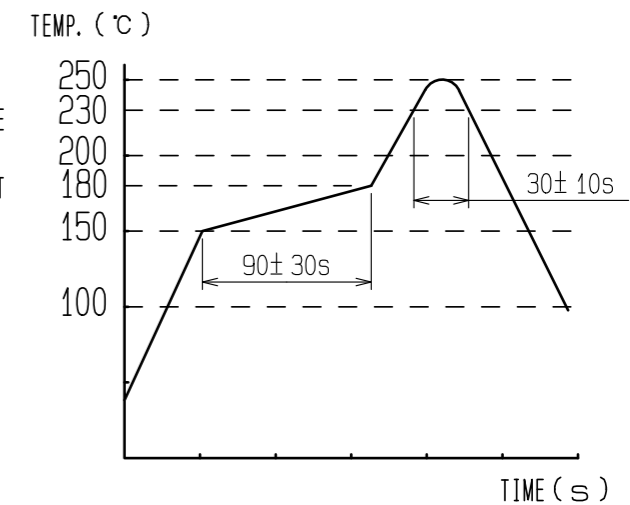


May.1.2024 Copyright 2024 HIROSE ELECTRIC CO., LTD. All Rights Reserved.  
In case of consideration for using Automotive equipment / device which demand high reliability, kindly contact our sales window correspondents.

ELV, RoHS COMPLIANT

NOTES

1. RECOMMENDED REFLOW PROFILE (SEE RIGHT GRAPH)  
TYPE: IR REFLOW  
ATMOSPHERE: AIR OR N2  
CYCLE TIME: UP TO 2 CYCLES OF REFLOW SOLDERING ARE POSSIBLE UNDER THE CONDITIONS, PROVIDED THAT THERE IS A RETURN TO NOMAL TEMPERATURE BETWEEN THE FIRST AND SECOND CYCLE.  
PEAK TEMPERATURE: 250°C  
230°C MIN. FOR 20 TO 40 SECONDS.  
PREHEATING AREA 150~180°C FOR 60 TO 120 SECONDS.
2. HAND SOLDERING: 280-300°C, 2S MAX.
3. CONTACT COPLANARITY: 0.1mm MAX.
4. RECOMMENDED THICKNESS OF PCB: 1.6mm
5. RECOMMENDED THICKNESS OF SOLDERING PASTE: 0.15mm



2	PPS	LIGHT GRAY					
1	COPPER ALLOY	TIN PLATED	3	BRASS	TIN PLATED		
NO.	MATERIAL	FINISH . REMARKS	NO.	MATERIAL	FINISH . REMARKS		
UNITS	mm	SCALE	COUNT	DESCRIPTION OF REVISIONS	DESIGNED	CHECKED	DATE
		2 : 1	1	DIS-T-00001389	MH. SHOUJI	KI. HIROKAWA	16.08.24
APPROVED : AR. SHIRAI		11.03.25		DRAWING NO. EDC3-168176-00			
CHECKED : NH. NAKATA		11.03.24		PART NO. GT32-10P-1.5H			
DESIGNED : TS. KUBOTA		11.03.18		CODE NO. CL782-0001-1-00			
DRAWN : TS. KUBOTA		11.03.18					

May.1.2024 Copyright 2024 HIROSE ELECTRIC CO., LTD. All Rights Reserved.  
 In case of consideration for using Automotive equipment / device which demand high reliability, kindly contact our sales window correspondents.

# △ PACKAGE SPECIFICATIONS

- ①. Place the connectors into the tray. (Cf. Figure of tray shape)  
 QTY per tray: 77pcs
- ②. Put the tray for six steps in turn and wind up a PP band.  
 Top(the sixth step) is an empty tray.
- ③. Put it in a cardboard box (W=270 H=150 D=360)  
 QTY per cardboard: 385 pcs

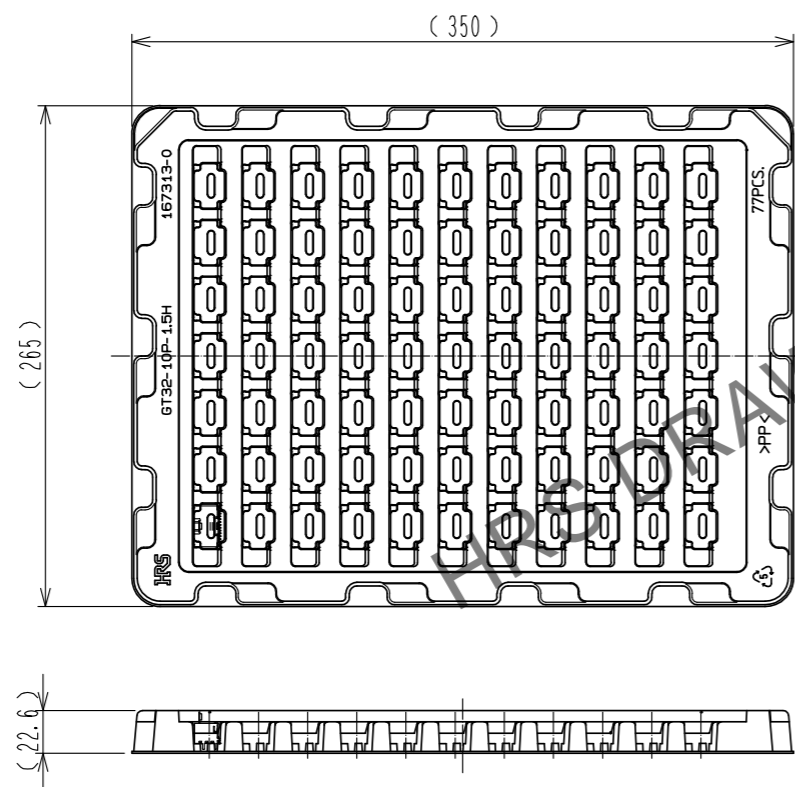


Figure of tray shape (1:4)

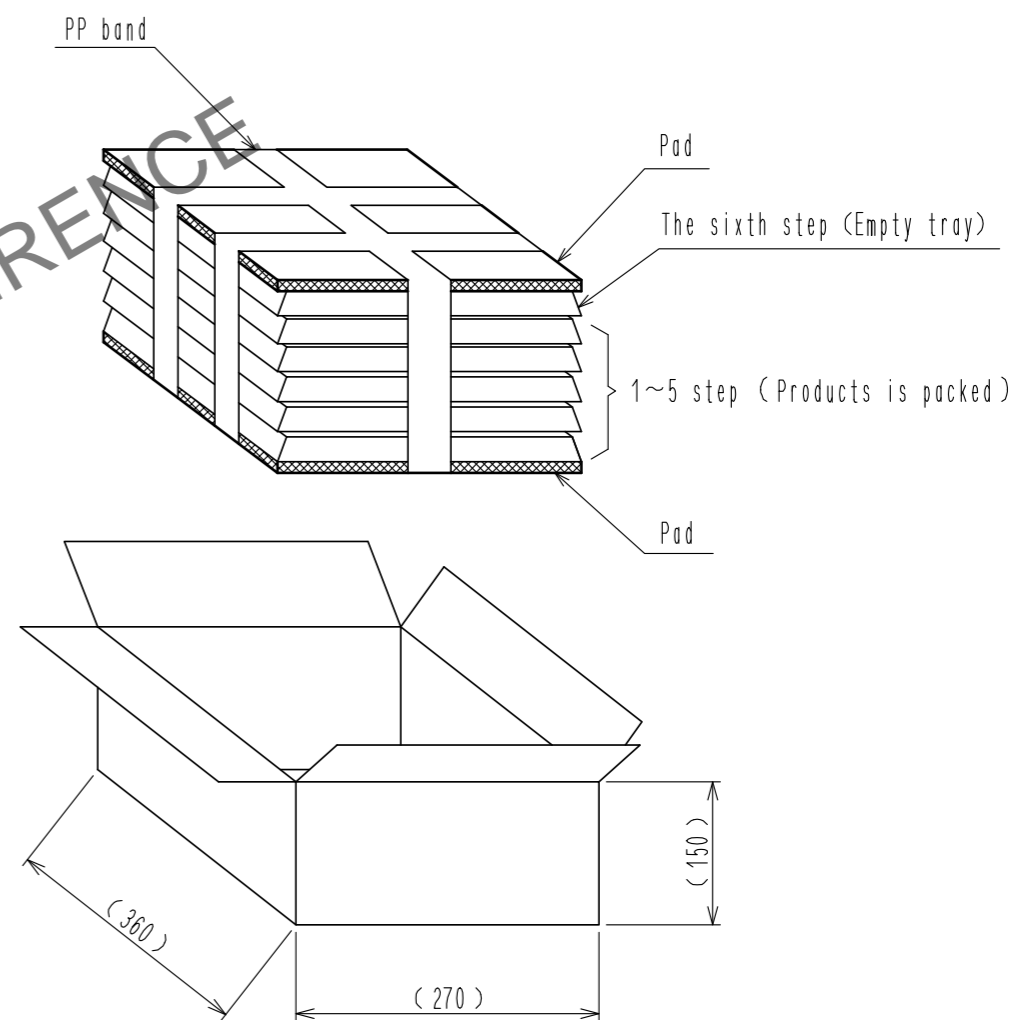


Figure of packing

<b>HRS</b>	図番:	EDC3-168176-00	△ 2/2
	製品名:	GT32-10P-1.5H	
	製品コード:	CL782-0001-1-00	