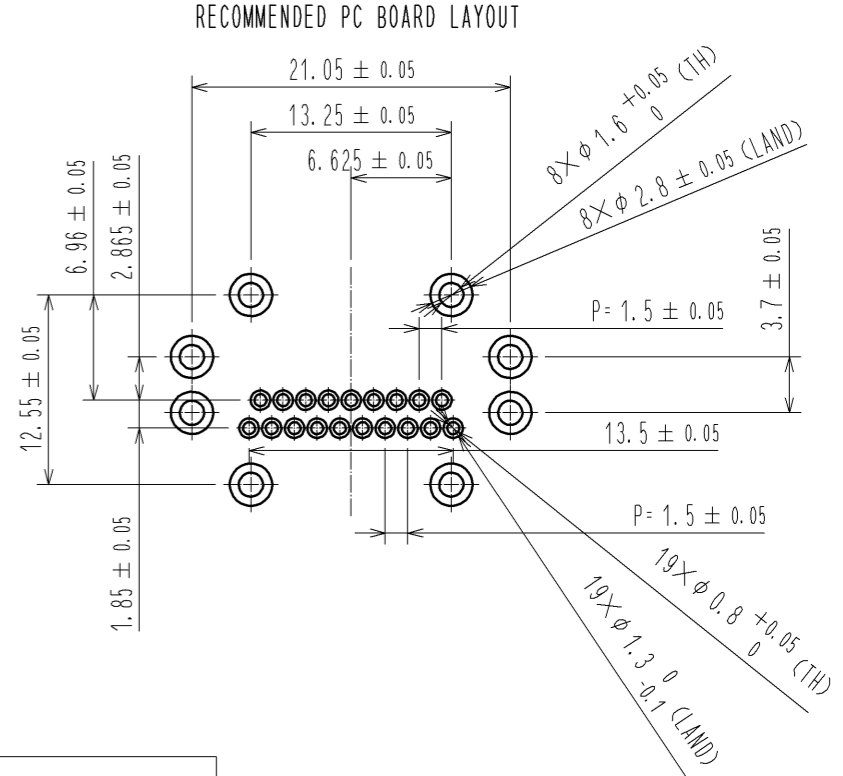
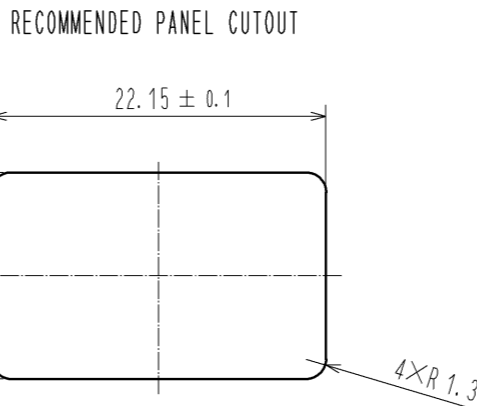
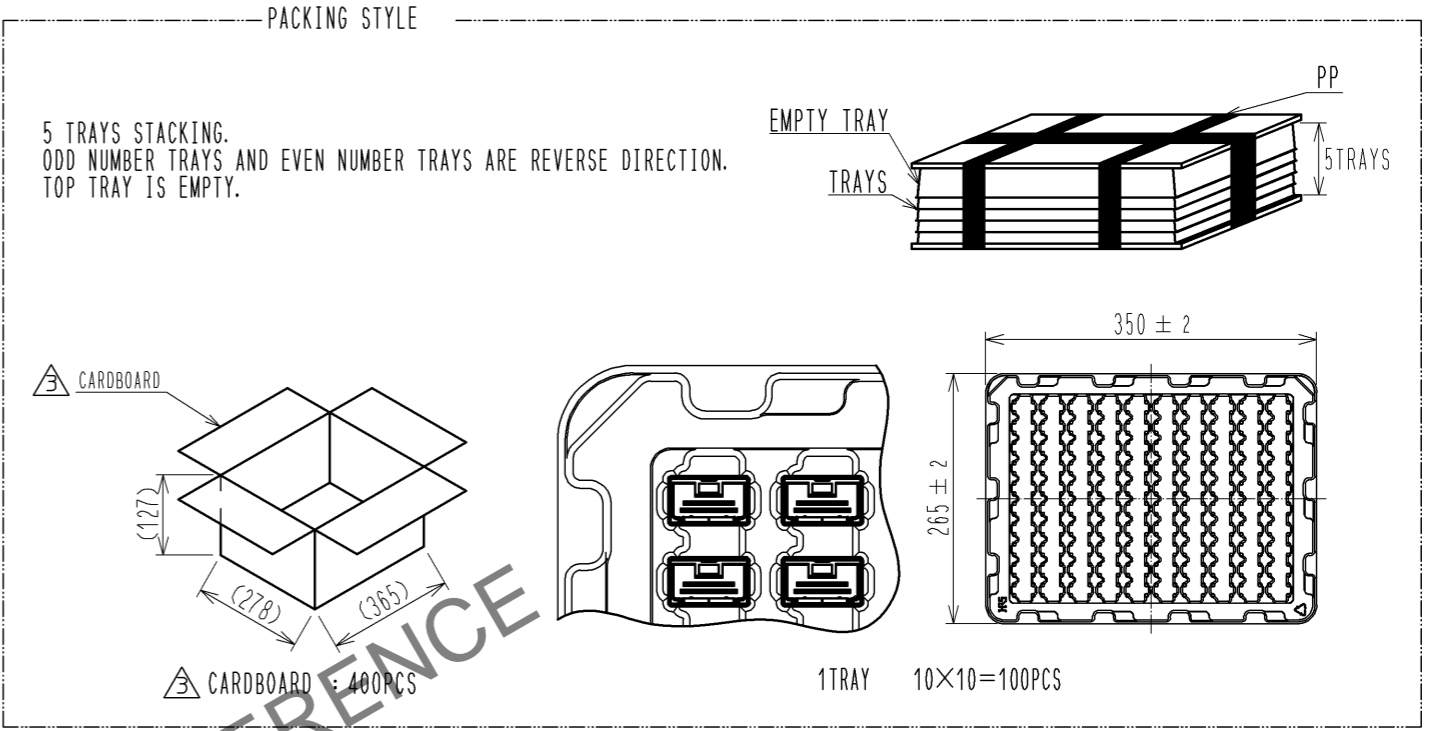
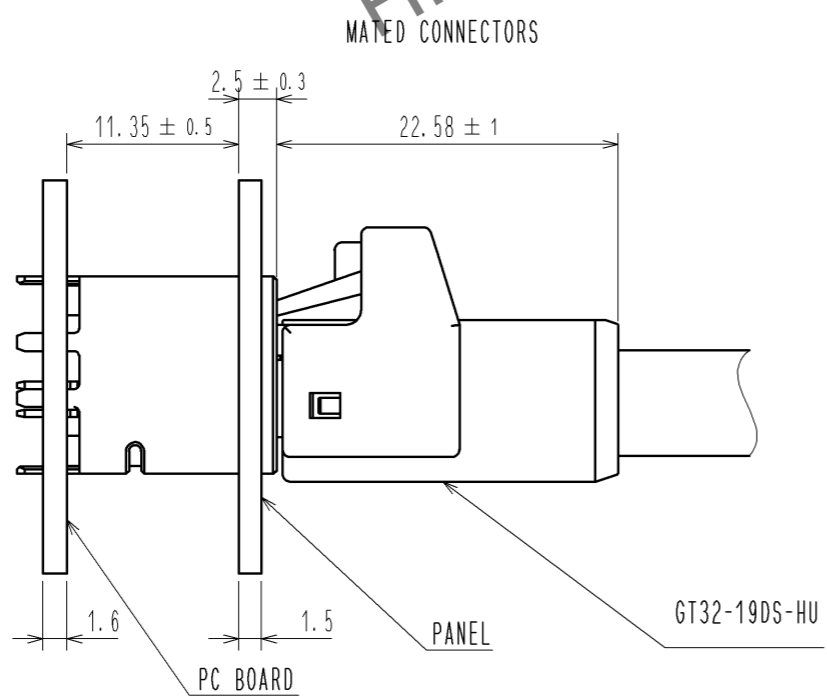
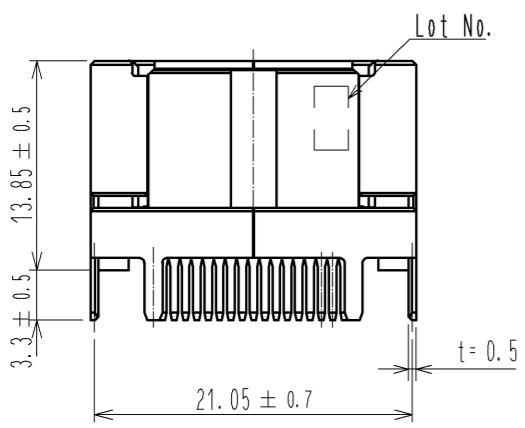
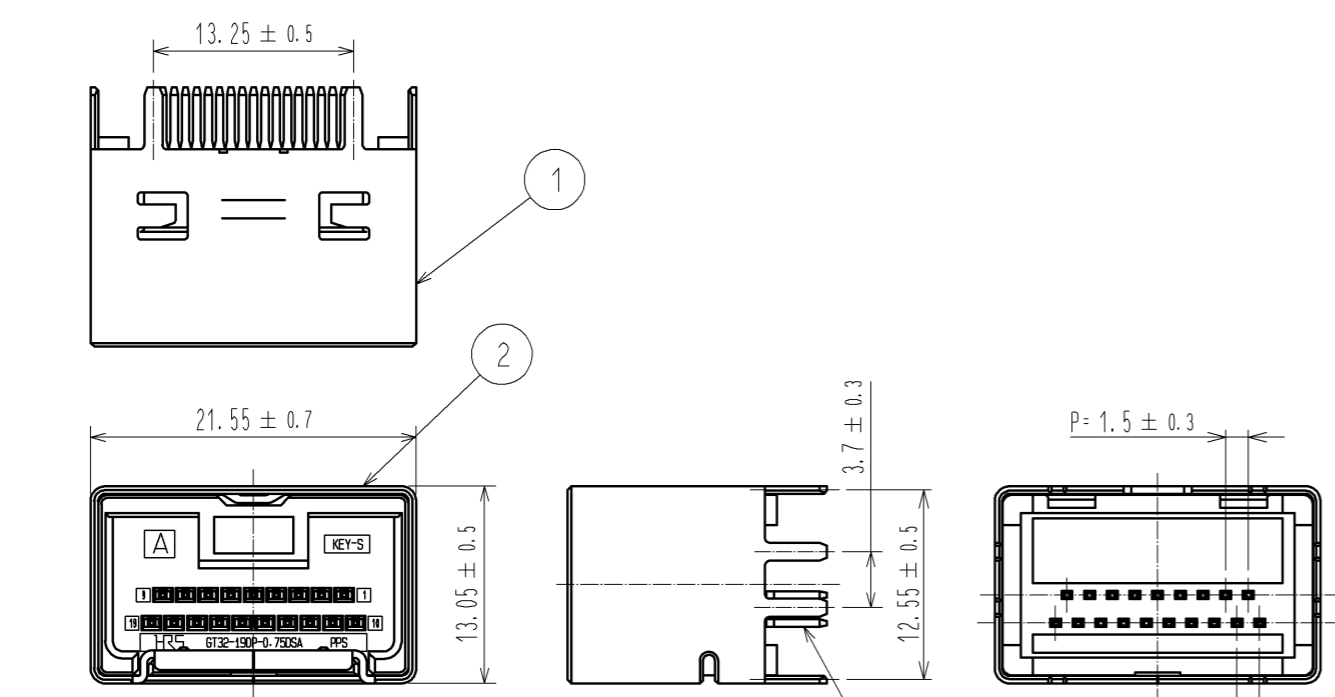


Jun.1.2024 Copyright 2024 HIROSE ELECTRIC CO., LTD. All Rights Reserved.  
In case of consideration for using Automotive equipment / device which demand high reliability, kindly contact our sales window correspondents.

ELV, RoHS COMPLIANT



|       |              |                  |       |                          |                  |                            |            |
|-------|--------------|------------------|-------|--------------------------|------------------|----------------------------|------------|
| 2     | PPS          | LIGHT GRAY       |       |                          |                  |                            |            |
| 1     | COPPER ALLOY | TIN PLATED       |       | 3                        | BRASS            | TIN PLATED                 |            |
| NO.   | MATERIAL     | FINISH . REMARKS | NO.   | MATERIAL                 | FINISH . REMARKS |                            |            |
| UNITS |              | SCALE            | COUNT | DESCRIPTION OF REVISIONS |                  | DESIGNED                   | CHECKED    |
| mm    |              | 2 : 1            | 2     | DIS-T-003805             |                  | NK. IKUTA                  | TS. KUBOTA |
|       |              |                  |       | APPROVED : NH. NAKATA    | 13. 09. 30       | DRAWING NO. EDC3-169933-00 |            |
|       |              |                  |       | CHECED : TS. KUBOTA      | 13. 09. 28       | PART NO. GT32-19DP-0.75DSA |            |
|       |              |                  |       | DESIGNED : NK. IKUTA     | 13. 09. 27       | CODE NO. CL782-0037-9-00   |            |
|       |              |                  |       | DRAWN : NK. IKUTA        | 13. 09. 27       |                            |            |