

GT32 Series

Compact, Shielded 4pos. Connector for Differential Signals



Automotive



High-Speed



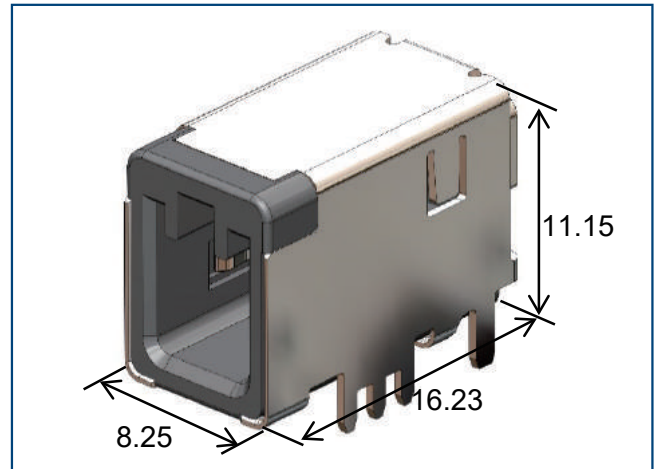
Shield



Features

1. Industry's Smallest Shielded 4pos. Connector

2pos. for Signal + 2pos. for Power Supply
A compact design with a width of only 8.25mm fits tight spaces.



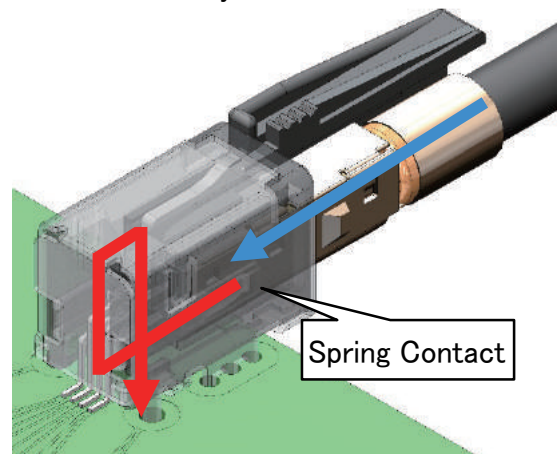
2. Enhanced Shield Design for Video Applications

The GT32J shortens the GND path to reduce noise, making it compatible with the LVDS protocol for video signals. It can be used in a wide range of applications.

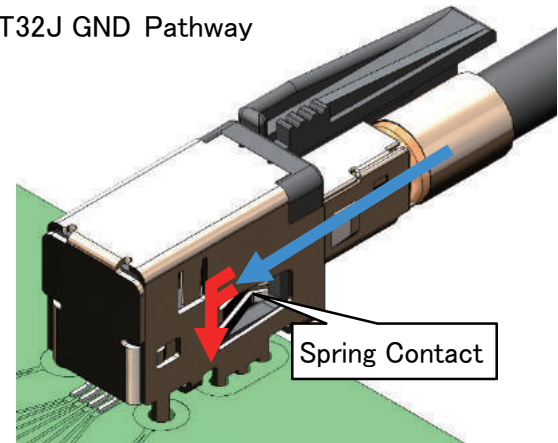
Recommended Applications
GT32 : USB2.0 Connection
GT32J : LVDS Connection

- *1 Connector size, board pattern and plug are common.
- *2 Please contact our sales representative for details on compatible SerDes and transmission characteristics.
- *3 The transmission speed may vary depending on the compatibility of the set, cable and connector used. Please contact our sales representatives before use.

GT32 GND Pathway



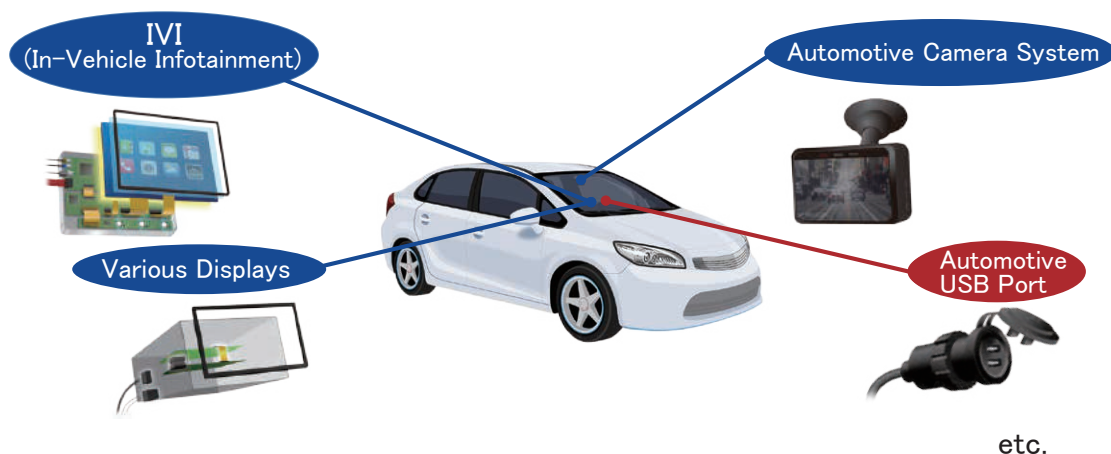
GT32J GND Pathway



3. Multi-port Receptacles, plus High Density Mounting

The 3 port or 2 port (under planning) Receptacle gives you the freedom to design sets and further contributes to the reduction of customer man-hours.

Application



Recommended Connector

Red : USB2.0 connection : GT32 4pos. Series

Blue : LVDS connection : GT32J 4pos. Series when noise resistance is critical

Note : This is also applicable to non-automotive applications.

Product Specifications

Rated Current	1A	Operating Temperature (Note 1)	-40 to +105°C
Rated Voltage	30V AC	Storage Temperature (Note 2)	-10 to +60°C

Item	Specification	Condition
Contact Resistance	Signal : 30mΩ Max. Shield : 60mΩ Max.	Measured at 1A DC
Insulation Resistance	100MΩ Min.	Measured at 500V DC
Withstanding Voltage	No insulation breakdown	1000V AC for 1 min.
Mating Durability	Contact Resistance : Signal : 60mΩ Max. Shield : 120mΩ Max.	30 times

Note 1 : Includes the temperature rise due to current flow.

Note 2 : Storage refers to long-term storage for unused items before mounting the board. The operating temperature is applied when the circuit board is not energized after mounting, or when it is temporarily stored during transportation.

Material/Finish

Item	Component	Material	Color/Finish
Receptacle	Shield Case	Copper Alloy	Tin Plating
	Insulator	PA	Dark Gray (Note), Brown, Green, Blue, Black
	Contact	Brass	Tin Plating
Plug	Housing	PBT	Dark Gray (Note), Brown, Green, Blue, Black
	Insulation Case	PBT	Light Gray
	Outer Terminal	Copper Alloy	Tin Plating
	Shield Cover		
	Center Terminal		

Note : The standard color is Dark Gray.

Product Number Structure

Refer to the chart below when determining the product specifications from the product number.
Please select from the product numbers listed in this catalog when placing orders.

■ Connector

GT32 J - 4 D P - 1.5 H (A)

① ② ③ ④ ⑤ ⑥ ⑦ ⑧

■ Center Terminal

GT32 - 2428 SCF

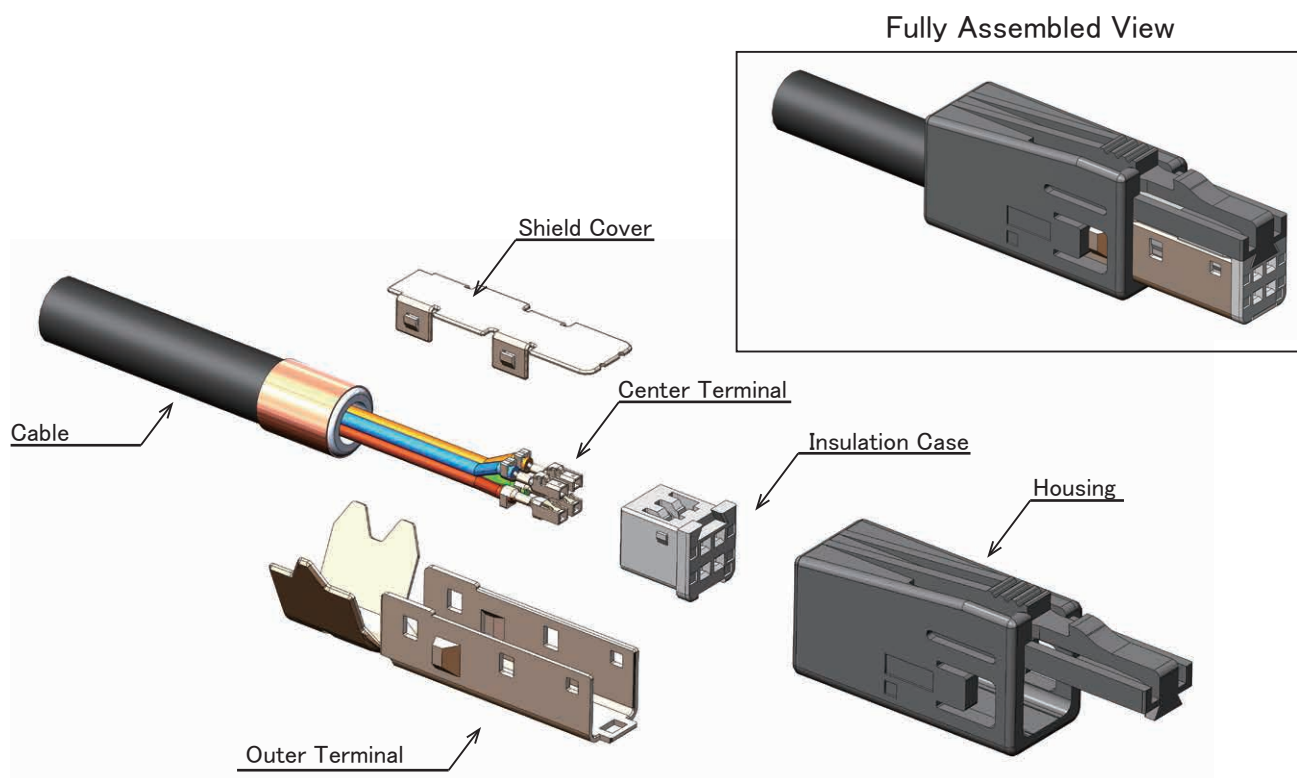
① ⑨ ⑩

① Series Name	GT32	⑦ Component Type	H : Right Angle SMT V : Straight SMT HU : Plug Housing C : Insulation Case 5CF : Outer Terminal SC : Shield Cover
② Design	None : Standard J : Enhanced Shield Design D : Shield Case Through Hole Length 2.3mm (Standard 1.6mm)		
③ No. of Pos.	4 : 4pos. 4/4/4 : 3 Ports, 12pos. Total		
④ Columns	D : 2 Rows	⑧ Mating Key	None : Standard, A, B, C, D
⑤ Connector Type	P : Receptacle S : Plug	⑨ Applicable Cable	2428 : 24 to 28 AWG
⑥ Contact Pitch	1.5mm	⑩ Shape Type	SCF : Female Contact

Plug Configuration

The plug consists of 5 components.

(Housing, Insulation Case, Outer Terminal, Shield Cover and Center Terminal)



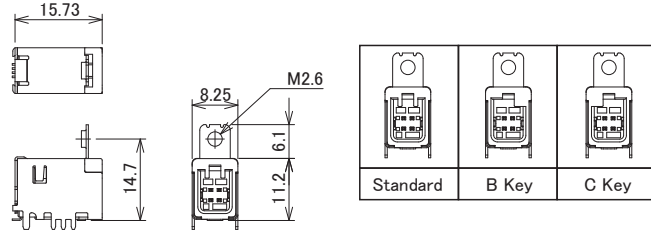
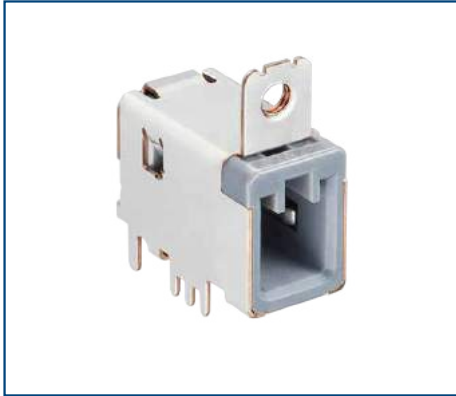
This product is not compatible with the GT32F Series, which is an in-line connector.

Please refer to our website for information on the GT32F series.

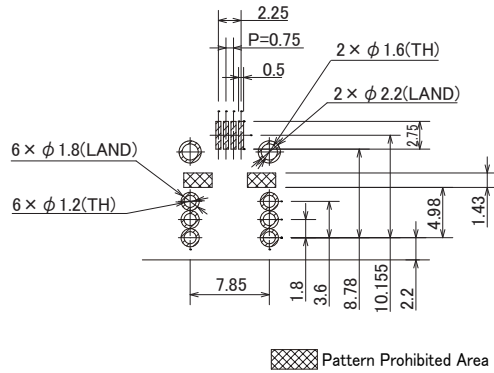
<https://www.hirose.com/en/product/series/GT32F/>

Right Angle Receptacle

M2.6 Flange Mount Design

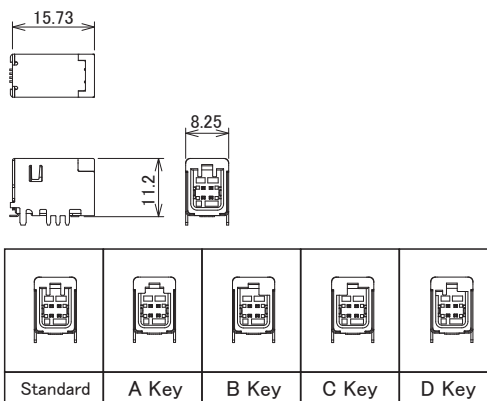
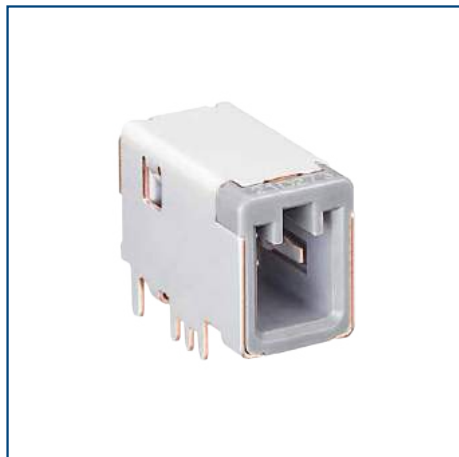


Recommended PCB Layout (Recommended PCB Thickness : 1.6mm)

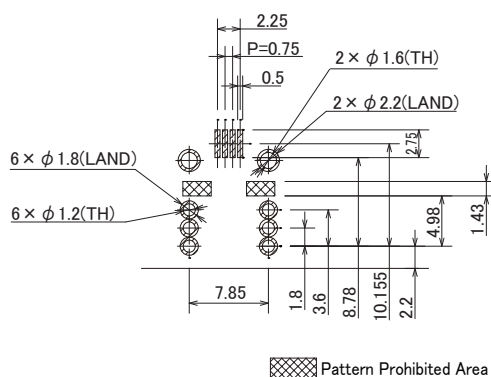


Part No.	HRS No.	Color	Mating Key	Purchase Unit
GT32-4DP-1.5H(30)	CL0782-0038-1-30	Dark Gray	Standard	90pcs per tray
GT32-4DP-1.5H(B)(30)	CL0782-0062-6-30	Green	B Key	
GT32-4DP-1.5H(C)(30)	CL0782-0063-9-30	Blue	C Key	

Non-Flanged Design

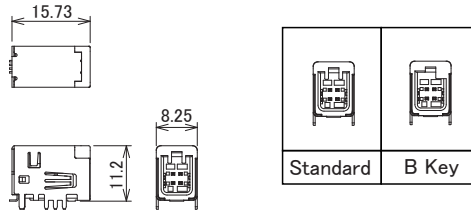


Recommended PCB Layout (Recommended PCB Thickness : 1.6mm)

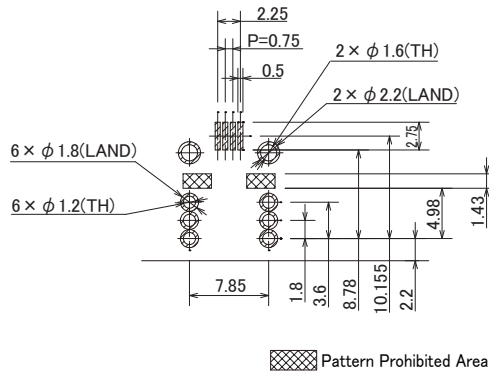


Part No.	HRS No.	Color	Mating Key	Purchase Unit (##) : (11)	Purchase Unit (##) : (12)
GT32-4DP-1.5H(##)	CL0782-0038-1-##	Dark Gray	Standard	90pcs per tray	350pcs per reel
GT32-4DP-1.5H(A)(##)	CL0782-0061-3-##	Brown	A Key		
GT32-4DP-1.5H(B)(##)	CL0782-0062-6-##	Green	B Key		
GT32-4DP-1.5H(C)(##)	CL0782-0063-9-##	Blue	C Key		
GT32-4DP-1.5H(D)(##)	CL0782-0064-1-##	Black	D Key		

Enhanced Shield Design



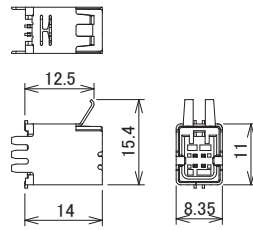
Recommended PCB Layout (Recommended PCB Thickness : 1.6mm)



Part No.	HRS No.	Color	Mating Key	Purchase Unit
GT32J-4DP-1.5H(11)	CL0782-0085-0-11	Dark Gray	Standard	540pcs per box
GT32J-4DP-1.5H(B)(11)	CL0782-0086-0-11	Green	B Key	

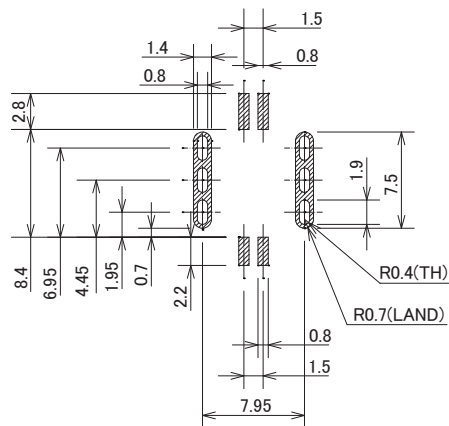
Straight Receptacle

Non-Flanged Vertical Design



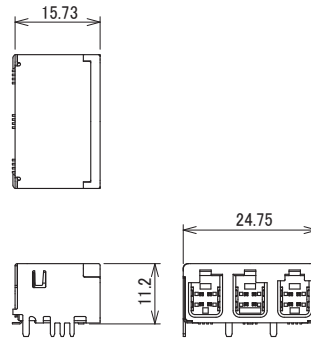
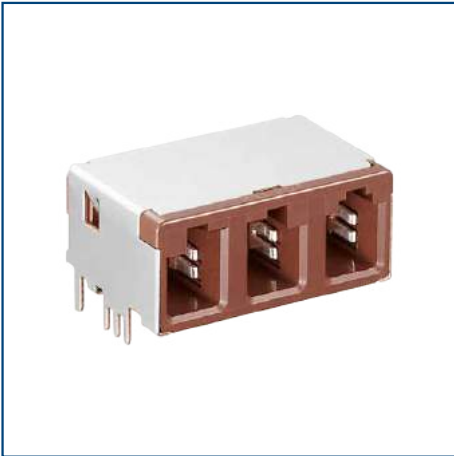
Standard	A Key	B Key	C Key	D Key

Recommended PCB Layout (Recommended PCB Thickness : 1.6mm)

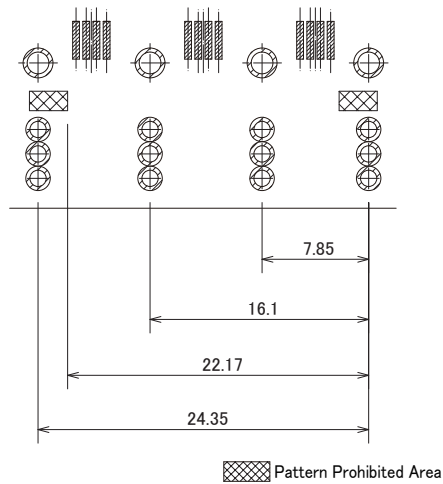


Part No.	HRS No.	Color	Mating Key	Purchase Unit (##) : None	Purchase Unit (##) : (30)
GT32-4DP-1.5V(##)	CL0782-0060-0-##	Dark Gray	Standard	105pcs per tray	300pcs per reel
GT32-4DP-1.5V(A)(##)	CL0782-0065-4-##	Brown	A Key		
GT32-4DP-1.5V(B)(##)	CL0782-0066-7-##	Green	B Key		
GT32-4DP-1.5V(C)(##)	CL0782-0067-0-##	Blue	C Key		
GT32-4DP-1.5V(D)(##)	CL0782-0068-2-##	Black	D Key		

3 Port Receptacle



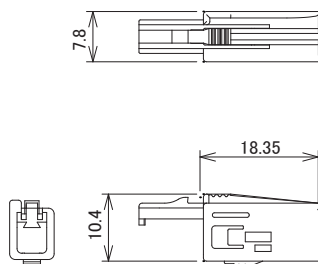
Recommended PCB Layout
 (Recommended PCB Thickness : 1.6mm)
 *See GT32-4DP-1.5H for detailed dimensions



Part No.	HRS No.	Color	Mating Key	Purchase Unit
GT32D-4/4/4DP-1.5HCBA	Under Planning (Note)	Brown	From left to right, CBA Key	-

Note : Product without HRS No. is currently being planned for development. Please contact a Hirose representative regarding questions on pin count variation development.

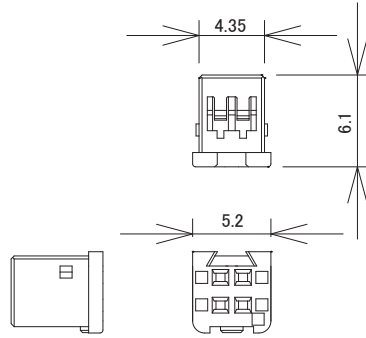
Plug Housing



Standard	A Key	B Key	C Key	D Key

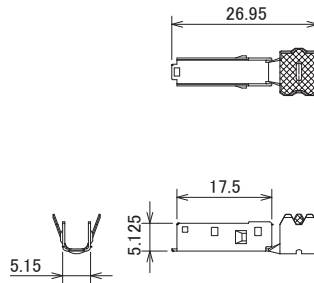
Part No.	HRS No.	Color	Mating Key	Purchase Unit
GT32-4DS-HU	CL0782-0042-9-00	Dark Gray	Standard	100pcs per bag
GT32-4DS-HU(A)	CL0782-0055-0-00	Brown	A Key	
GT32-4DS-HU(B)	CL0782-0056-3-00	Green	B Key	
GT32-4DS-HU(C)	CL0782-0057-6-00	Blue	C Key	
GT32-4DS-HU(D)	CL0782-0058-9-00	Black	D Key	

Insulation Case



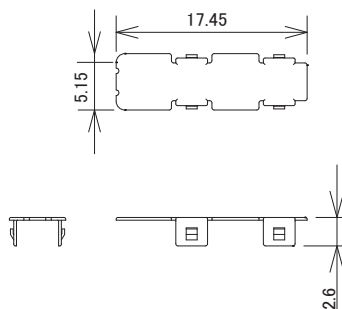
Part No.	HRS No.	Color	Purchase Unit
GT32-4DS-1.5C	CL0782-0039-4-00	Light Gray	100pcs per bag

Outer Terminal



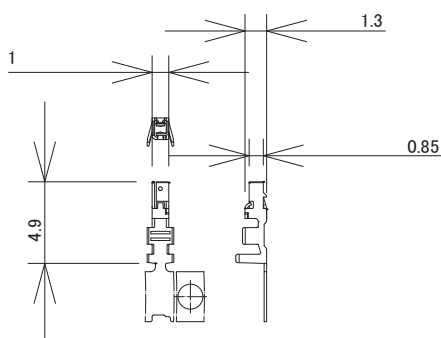
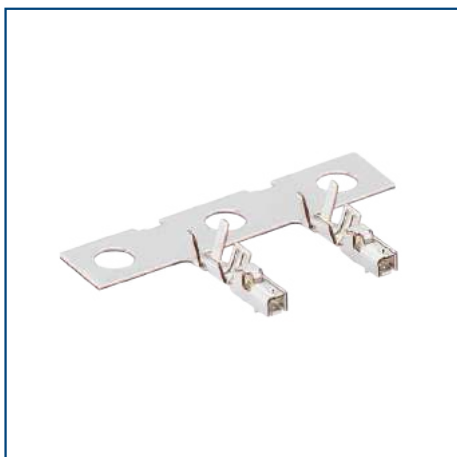
Part No.	HRS No.	Applicable Cable Diameter	Purchase Unit
GT32-4DS-5CF	CL0782-0040-3-00	φ 4.8 to 5.0	100pcs per bag

Shield Cover



Part No.	HRS No.	Purchase Unit
GT32-4DS-SC	CL0782-0041-6-00	100pcs per bag

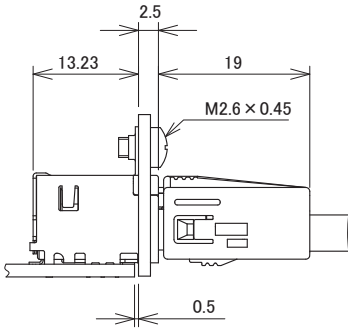
Center Terminal



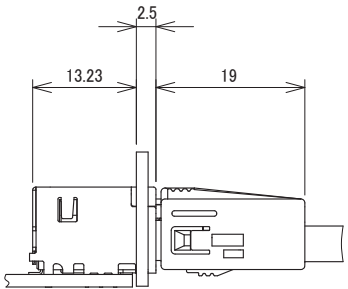
Part No.	HRS No.	Applicable Cable	Purchase Unit
GT32-2428SCF	CL0782-0007-8-00	Wire Size : 24 to 28 AWG Cable Jacket Outer Diameter : ϕ 0.8 to 1.0	10,000pcs per reel

Mated Diagram

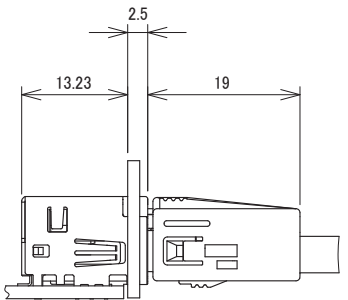
Right Angle (Flange Mount Design) to Plug Connection



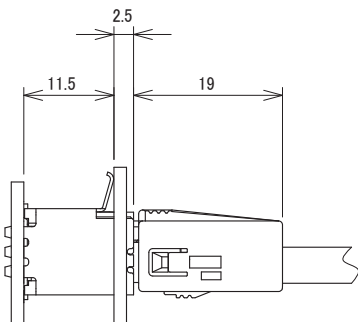
Right Angle (Non-Flanged Design) to Plug Connection



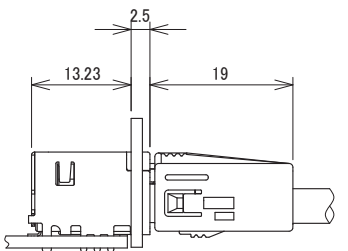
Right Angle (Enhanced Shield Design) to Plug Connection



Straight Receptacle to Plug Connection



3 Port Receptacle to Plug Connection



Applicable Tools

Contact Crimping Tool

Type	Part No.	HRS No.	Applicable Center Terminal
Automatic Crimping Machine	CM-105C	CL0901-0001-0-00	-
Applicator	AP105-GT32-2428S	CL0901-5223-2-00	GT32-2428SCF

Note 1 : Conduct crimping based on the "Crimp Quality Standard" and "Crimp Condition Table."

Contact Insertion Tool

Part No.	HRS No.	Applicable Center Terminal
GT32-CON/PR-MD	CL0902-5125-0-00	GT32-2428SCF

Note 2 : This tool uses the GT32-2428SCF only when inserting it into Insulation Case.
Please note that this tool can not be used for other Contact or Insulation Cases.

Outer Terminal Caulking Tool

Type	Part No.	HRS No.	Applicable Outer Terminal
Hand Press	HOS-7	CL0902-0132-8-00	-
Applicator	GT32-4DS-5/CR-MP	CL0902-5519-5-00	GT32-4DS-5CF
Hand Press + Applicator (Note 3)	GT32-4DS-5/CR-MP(01)	CL0902-5519-5-01	GT32-4DS-5CF

Note 3 : (01) Specifications's Outer Terminal Crimping Tool is sold as a set with the Hand Press HOS-7.

Note 4 : Usage of tools not specified by Hirose will void the warranty.

Usage Precautions

Recommended Temperature Profile	<p>Temperature (°C)</p> <p>Time (s)</p> <p>90±30s</p> <p>30±10s</p>	<p>【Conditions】</p> <ol style="list-style-type: none"> 1. Peak Temperature : 250°C Peak 2. Reflow Temperature/Time : 230°C Min. 20 to 40 sec. 3. Preheat Temperature : 150 to 180°C 60 to 120 sec. 4. Reflow Cycles : 2 times Max. 5. Recommended Solder Thickness : 0.12mm
Recommended Manual Soldering Conditions	Soldering Iron Temperature : 280 to 300 °C , Soldering Time : 2 seconds Max.	
Precautions	<ol style="list-style-type: none"> 1. Excessive pull force during unmating may damage the connector. If it is difficult to remove, push in lightly once and then release the lock. 2. Always make sure to turn off the power before reinserting the connector. 3. Do not directly touch the terminal when electricity is flowing since it is extremely dangerous. 4. Contact a Hirose representative for cable assembly procedures or handling manuals. 	

While Taking into Consideration

Specifications mentioned in this catalog are reference values.

When considering to order or use this product, please confirm the Drawing and Product Specifications sheets. Use an appropriate cable when using the connector in combination with cables.

If considering usage of a non-specified cable, please contact your sales representative.

If assembly process is done by jigs & tools which are not identified by Hirose, assurance will not be given.

If considering usage for below mentioned applications, please contact your sales representative.

In cases where the application will demand a high level of reliability, such as automotive, medical instruments, public infrastructure, aerospace/ defense etc. Hirose must review before assurance of reliability can be given.

GT32 (10, 19pos.) Series

Shielded Connector for High Speed Transmission



Automotive



High-Speed



Shield



Features

1. High Speed Transmission
2. Satisfies Various Automotive Evaluation Requirements
3. Positive Lock Design with a Clear Tactile Click
4. Reliable Two-point Contact Design
5. Strengthen EMI Measures
6. THR (Through-Hole-Reflow)

Note: Excluding 10 and 19pos. straight receptacles (THT)

Applications

For in-vehicle data communication, etc.

- 10pos. ... USB 3.2 Gen1 Equivalent
- 19pos. ... HDMI 1.4a Type E Equivalent

Product Specifications

Rated Current	1A	Operating Temperature (Note)	-40 to +105°C
Rated Voltage	30V AC		

Item	Specifications	Conditions
Contact Resistance	Signal: 30m Ω Max. Shield: 60m Ω Max.	Measured at 1A DC
Insulation Resistance	100M Ω Min.	Measured at 500V DC
Withstanding Voltage	No insulation breakdown	10pos.: 650V AC for 1 min. 19pos.: 500V AC for 1 min.
Mating Durability	Contact Resistance: Signal: 60m Ω Max. Shield: 120m Ω Max.	30 times

Note: Includes the temperature rise due to current flow.

Mating Table

● 10pos.

Color	Cable side connector	Board connector	
		Right angle type	Straight type
Light Gray	GT32-10S-ASSY	GT32-10P-1.5H GT32B-10P-1.5H	GT32-10P-1.5DSA

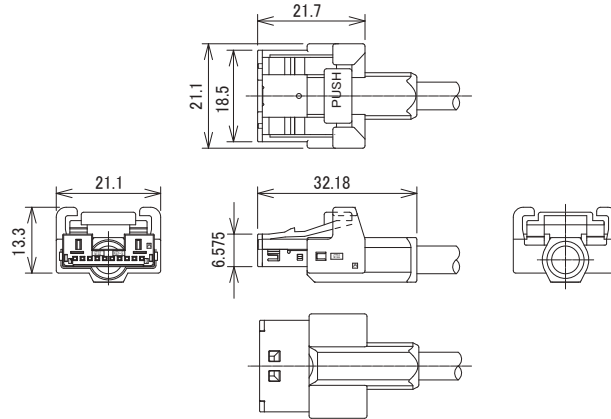
● 19pos.

Color	Cable side connector	Board connector		In-line connector
		Right angle type	Straight type	
Light Gray	GT32-19DS-ASSY	GT32-19DP-0.75H GT32B-19DP-0.75H	GT32-19DP-0.75DSA	GT32-19DP-ASSY
Brown	GT32-19DS-ASSY (Key Type: A)	GT32-19DP-0.75H(A) GT32B-19DP-0.75H(A)	GT32-19DP-0.75DSA(A)	—

10pos. Straight Plug

This product consists of six parts.

(Housing, S insulated case, outer terminal, shield cover, shield plate, and center contact)



● Housing

Part No.	HRS No.	Material	Color	Purchase Unit
GT32-10S-HU	CL0782-0003-7-00	PBT	Dark Gray	100pcs per bag

● S Insulated Case

Part No.	HRS No.	Material	Color	Purchase Unit
GT32-10S-1.5C	CL0782-0002-4-00	PBT	Light Gray	100pcs per bag

● Outer Terminal

Part No.	HRS No.	Material / Finish	Purchase Unit
GT32-10S-6CF	CL0782-0004-0-00	Copper Alloy / Tin Plating	100pcs per bag

● Shield Cover

Part No.	HRS No.	Material / Finish	Purchase Unit
GT32-10S-SC	CL0782-0005-2-00	Brass / Tin Plating	100pcs per bag

● Shield Plate

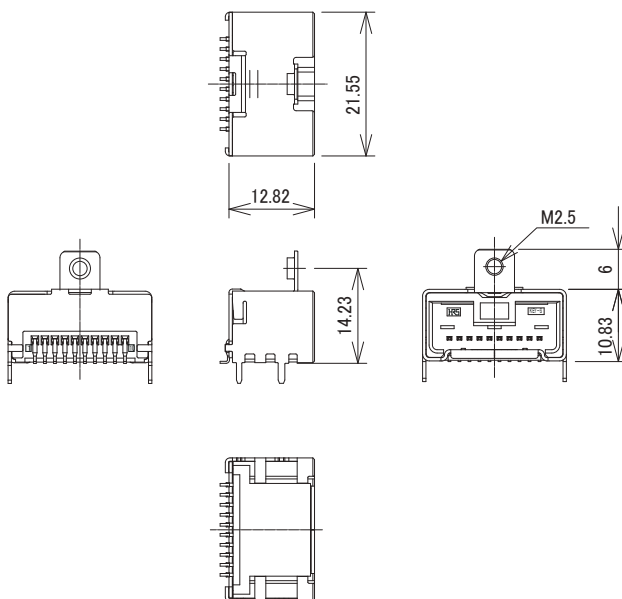
Part No.	HRS No.	Material / Finish	Purchase Unit
GT32-10S-SP	CL0782-0006-5-00	Brass / Tin Plating	100pcs per bag

● Center Contact

Part No.	HRS No.	Material / Finish	Applicable Cable	Applicable Cable Diameter	Purchase Unit
GT32-2428SCF	CL0782-0007-8-00	Copper Alloy / Tin Plating	24 to 28 AWG	φ 0.8 to 1.0	10,000pcs per reel

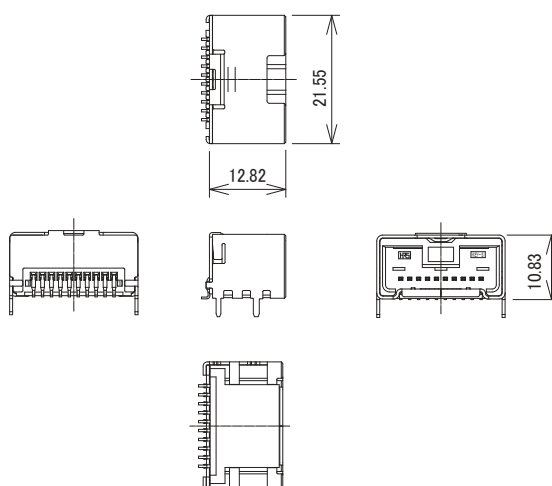
10pos. Right Angle Receptacle(SMT)

Type with M2.5 Screw Flange



Part No.	HRS No.	Material / Finish	Color	Purchase Unit
GT32-10P-1.5H	CL0782-0001-1-00	Housing: PPS Contact: Brass / Tin Plating Shield: Copper Alloy / Tin Plating	Light Gray	77pcs per tray

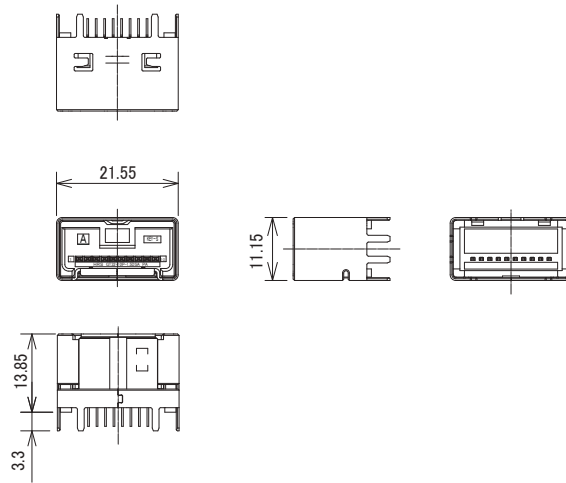
Flangeless Type



Part No.	HRS No.	Material / Finish	Color	Purchase Unit
GT32B-10P-1.5H	CL0782-0070-0-00	Housing: PPS Contact: Brass / Tin Plating Shield: Copper Alloy / Tin Plating	Light Gray	200pcs per reel

10pos. Straight Receptacle(THT)

Flangeless Type

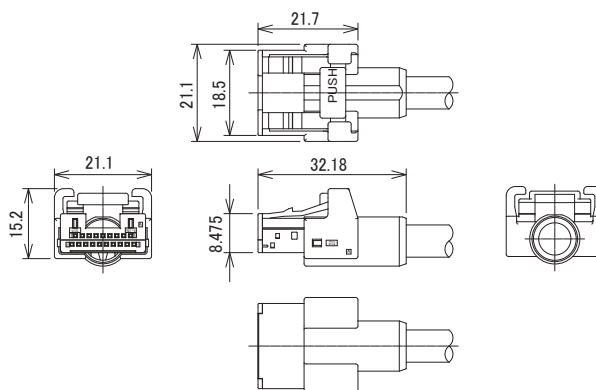


Part No.	HRS No.	Material / Finish	Color	Purchase Unit
GT32-10P-1.5DSA	CL0782-0080-0-00	Housing: PA Contact: Brass / Tin Plating Shield: Copper Alloy / Tin Plating	Light Gray	100pcs per tray

19pos. Straight Plug

This product consists of six parts.

(Housing, S insulated case A, S insulated case B, outer terminal, shield cover, and center contact)



●Housing

Part No.	HRS No.	Material	Color	Purchase Unit
GT32-19DS-HU	CL0782-0013-0-00	PBT	Dark Gray	100pcs per bag

●S Insulated Case A

Part No.	HRS No.	Material	Color	Purchase Unit
GT32-19DS-0.75CA	CL0782-0010-2-00	PBT	Light Gray	100pcs per bag
GT32-19DS-0.75CA(A)	CL0782-0018-4-00		Brown	

●S Insulated Case B

Part No.	HRS No.	Material	Color	Purchase Unit
GT32-19DS-0.75CB	CL0782-0014-3-00	PBT	Light Gray	100pcs per bag
GT32-19DS-0.75CB(A)	CL0782-0021-9-00		Brown	

●Outer Terminal

Part No.	HRS No.	Material / Finish	Purchase Unit
GT32-19DS-7CF	CL0782-0011-5-00	Copper Alloy / Tin Plating	100pcs per bag

●Shield Cover

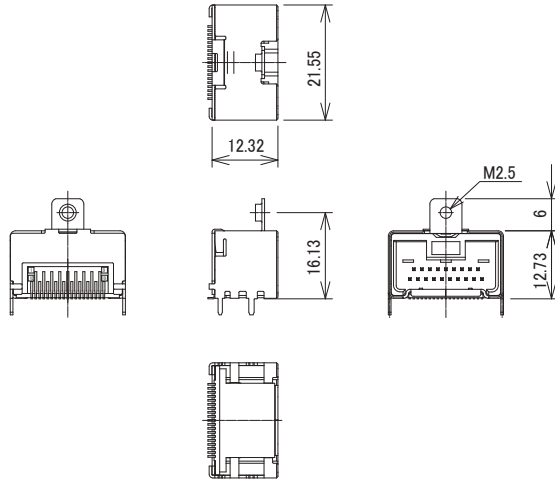
Part No.	HRS No.	Material / Finish	Purchase Unit
GT32-19DS-SC	CL0782-0012-8-00	Brass / Tin Plating	100pcs per bag

●Center Contact

Part No.	HRS No.	Material / Finish	Wire Size	Coated Outer Diameter	Purchase Unit
GT32-2428SCF	CL0782-0007-8-00	Copper Alloy / Tin Plating	24 to 28 AWG	φ 0.8 to 1.0	10,000pcs per reel

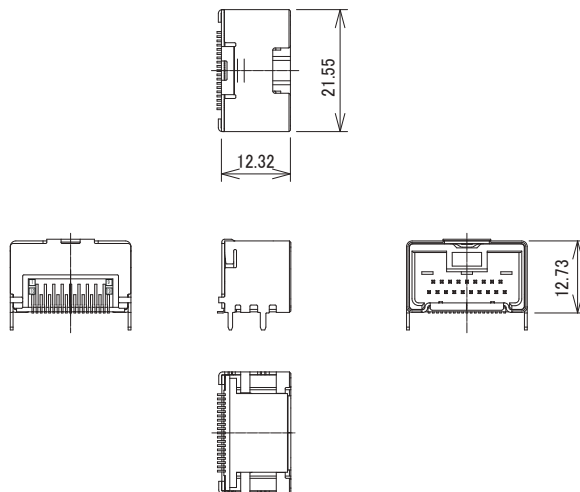
19pos. Right Angle Receptacle(SMT)

Type with M2.5 Screw Flang



Part No.	HRS No.	Material / Finish	Color	Purchase Unit
GT32-19DP-0.75H	CL0782-0009-3-00	Housing: PA	Gray	77pcs per tray
GT32-19DP-0.75H(A)	CL0782-0015-6-00	Contact: Brass / Tin Plating Shield: Copper Alloy / Tin Plating	Brown	

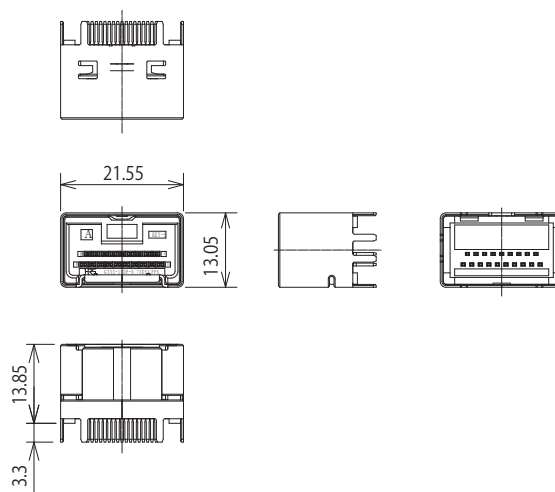
Flangeless Type



Part No.	HRS No.	Material / Finish	Color	Purchase Unit
GT32B-19DP-0.75H	CL0782-0069-0-00	Housing: PA	Gray	77pcs per tray
GT32B-19DP-0.75H(A)	CL0782-0082-0-00	Contact: Brass / Tin Plating Shield: Copper Alloy / Tin Plating	Brown	

19pos. Straight Receptacle(THT)

Flangeless Type

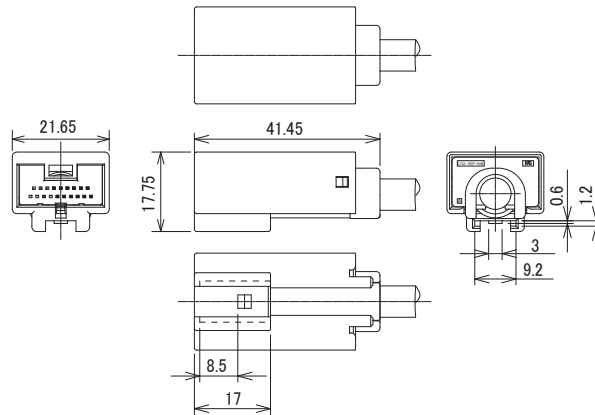


Part No.	HRS No.	Material / Finish	Color	Purchase Unit
GT32-19DP-0.75DSA	CL0782-0037-9-00	Housing: PPS Contact: Brass / Tin Plating	Gray	100pcs per tray
GT32-19DP-0.75DSA(A)	CL0782-0045-7-00	Shield: Copper Alloy / Tin Plating	Brown	

19pos. In-line Connector

This product consists of seven parts.

(Housing A, housing B, P insulated case A, P insulated case B, outer terminal, shield cover, and center contact)



● Housing A

Part No.	HRS No.	Material	Color	Purchase Unit
GT32-19DP-HUA	CL0782-0035-3-00	PBT	Light Gray	100pcs per bag

● Housing B

Part No.	HRS No.	Material	Color	Purchase Unit
GT32-19DP-HUB	CL0782-0036-6-00	PBT	Dark Gray	100pcs per bag

● P insulated Case A

Part No.	HRS No.	Material	Color	Purchase Unit
GT32-19DP-0.75CA	CL0782-0031-2-00	PBT	Black	100pcs per bag

● P insulated Case B

Part No.	HRS No.	Material	Color	Purchase Unit
GT32-19DP-0.75CB	CL0782-0032-5-00	PBT	Light Gray	100pcs per bag

● Outer Terminal

Part No.	HRS No.	Material / Finish	Purchase Unit
GT32-19DP-7CF	CL0782-0033-8-00	Copper Alloy / Tin Plating	100pcs per bag

● Shield Cover

Part No.	HRS No.	Material / Finish	Purchase Unit
GT32-19DP-SC	CL0782-0034-0-00	Brass / Tin Plating	100pcs per bag

● Center Contact

Part No.	HRS No.	Material / Finish	Wire Size	Coated Outer Diameter	Purchase Unit
GT32-2428PCF	CL0782-0030-0-00	Copper Alloy / Tin Plating	24 to 28 AWG	φ 0.8 to 1.0	10,000pcs per reel

Applicable Tool

Contact Crimping Tool

Type	Part No.	HRS No.	Applicable Center Contact
Automatic Crimping Machine	CM-105C	CL0901-0001-0-00	-
Applicator	AP105-GT32-2428S	CL0901-5223-2-00	GT32-2428SCF
	AP105-GT32-2428P	Under Planning (Note 1)	GT32-2428PCF

Note 1: Please contact Hirose sales representative for the details.

Note 2: Conduct crimping based on the "Crimp Quality Standard" and "Crimp Condition Table."

Contact Insertion Tool

Part No.	HRS No.	Applicable Center Contact
GT32-CON/PR-MD	CL0902-5125-0-00	GT32-2428SCF

Note: This tool uses the GT32-2428SCF only when inserting it into Insulation Case.

Please note that this tool can not be used for other Contact or Insulation Cases.

Outer Terminal Caulking Tool

Type	Part No.	HRS No.	Applicable Outer Terminal
Hand Press	HOS-7	CL0902-0132-8-00	-
Applicator	GT32-10S-6/CR-MP	CL0902-5118-4-00	GT32-10S-6CF
Hand Press + Applicator (Note 1)	GT32-10S-6/CR-MP(01)	CL0902-5118-4-01	
Applicator	GT32-19DS-7/CR-MP	CL0902-5124-7-00	GT32-19DS-7CF
Hand Press + Applicator (Note 1)	GT32-19DS-7/CR-MP(01)	CL0902-5124-7-01	
Applicator	GT32-19DP-7/CR-MP	Under Planning (Note 2)	GT32-19DP-7CF
Hand Press + Applicator (Note 1)	GT32-19DP-7/CR-MP(01)	Under Planning (Note 2)	

Note 1: (01) Specifications's Outer Terminal Crimping Tool is sold as a set with the Hand Press HOS-7.

Note 2: Please contact Hirose sales representative for the details.

Note 3: Usage of tools not specified by Hirose will void the warranty.

While taking into consideration

Specifications mentioned in this catalog are reference values.

When considering to order or use this product, please review the Drawing and Product Specifications sheets.

Use an appropriate cable when using the connector in combination with cables.

If considering usage of a non-specified cable, please contact your sales representative.

If assembly process is done by jigs & tools which are not identified by Hirose, the warranty of the product may be affected.

If considering usage for below mentioned applications, please contact your sales representative.

In cases where the application will demand a high level of reliability, such as automotive, medical instruments, public infrastructure, aerospace/defense etc. Hirose must review before assurance of reliability can be given.

HIROSE



HIROSE ELECTRIC CO.,LTD.

2-6-3 Nakagawa Chuoh, Tsuzuki-Ku, Yokohama-Shi 224-8540, JAPAN
<https://www.hirose.com>

* The contents of this catalog are current as of date of 2/2026. Contents are subject to change without notice for the purpose of improvements.

* The HRS logo and "HIROSE" are trademarks of HIROSE ELECTRIC CO., LTD.