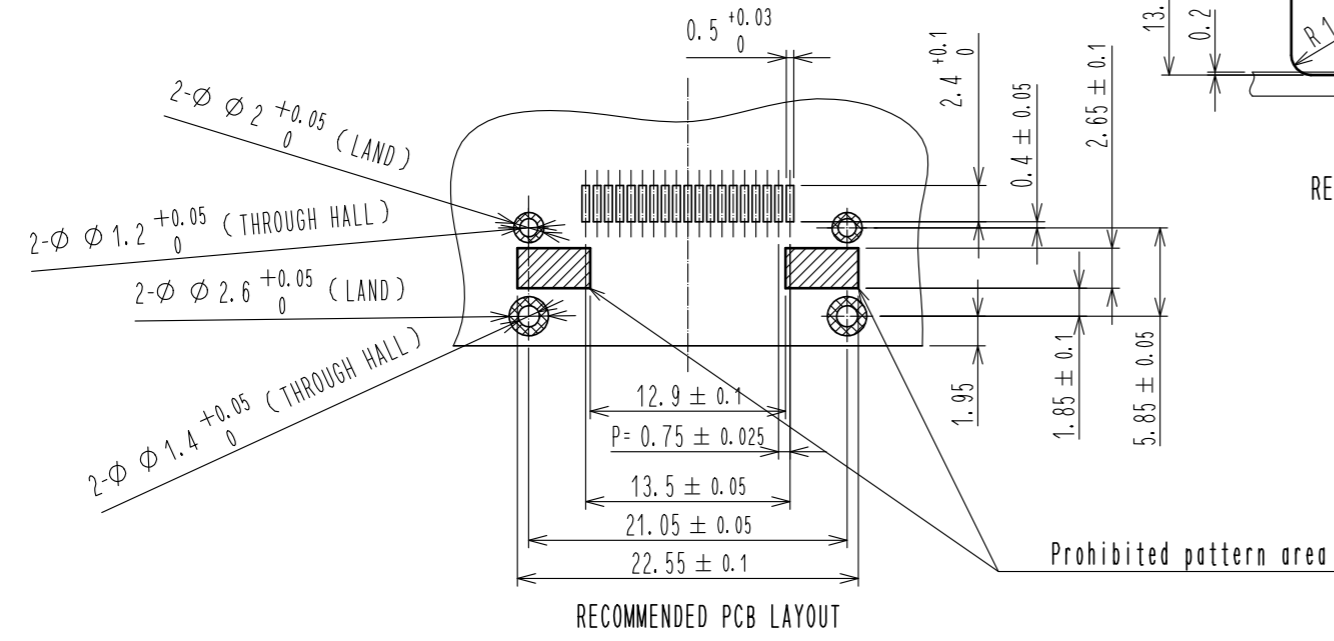
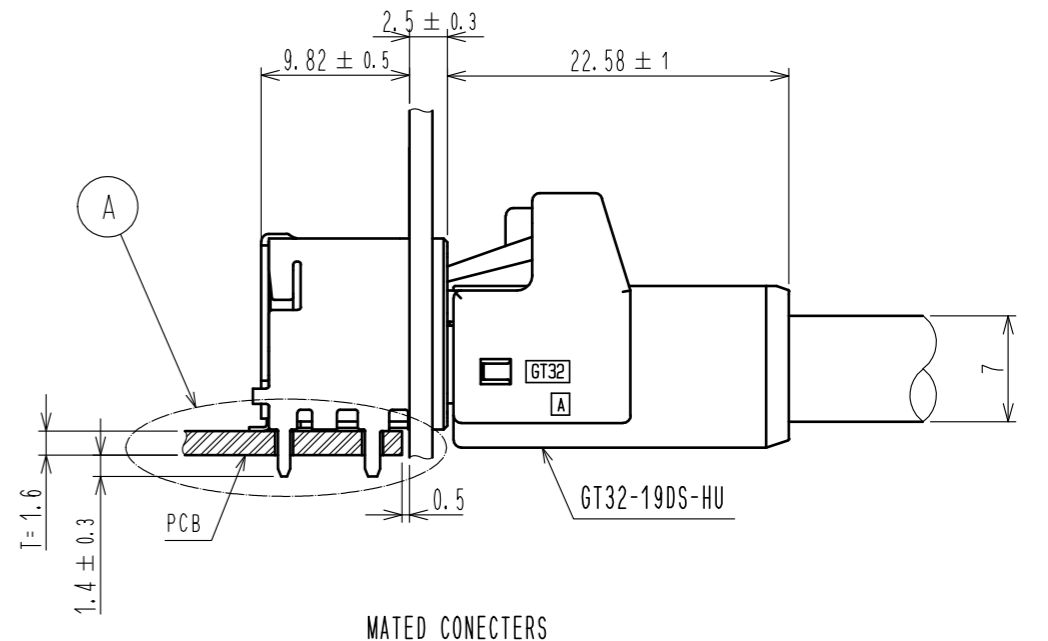
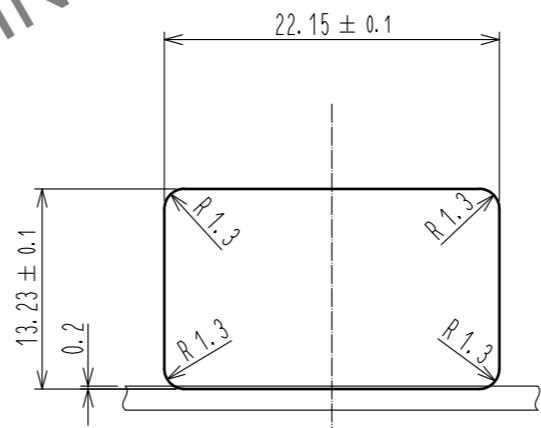
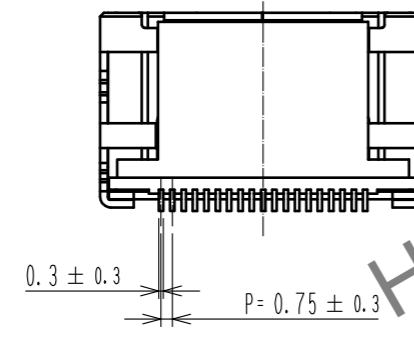
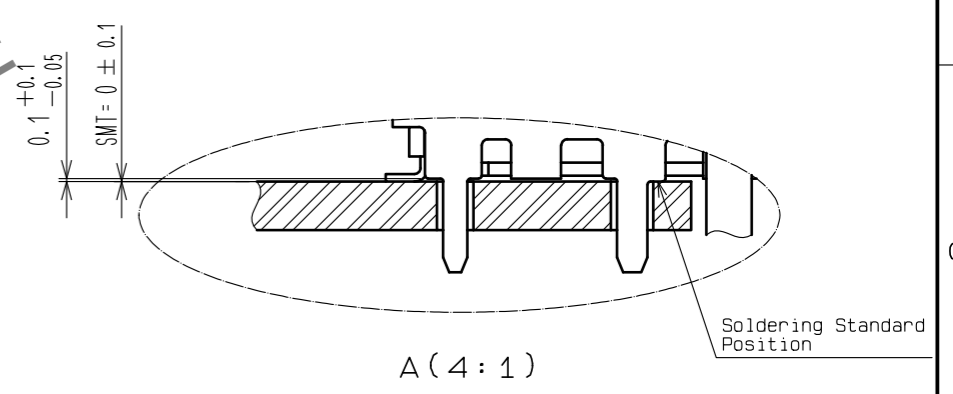
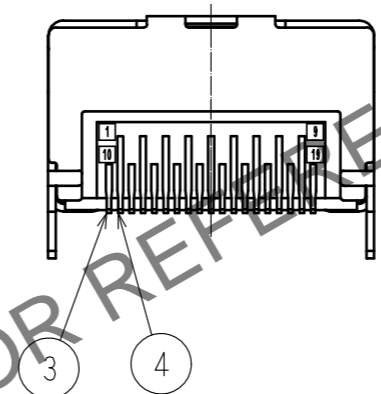
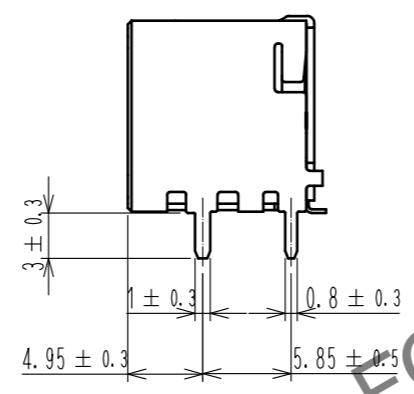
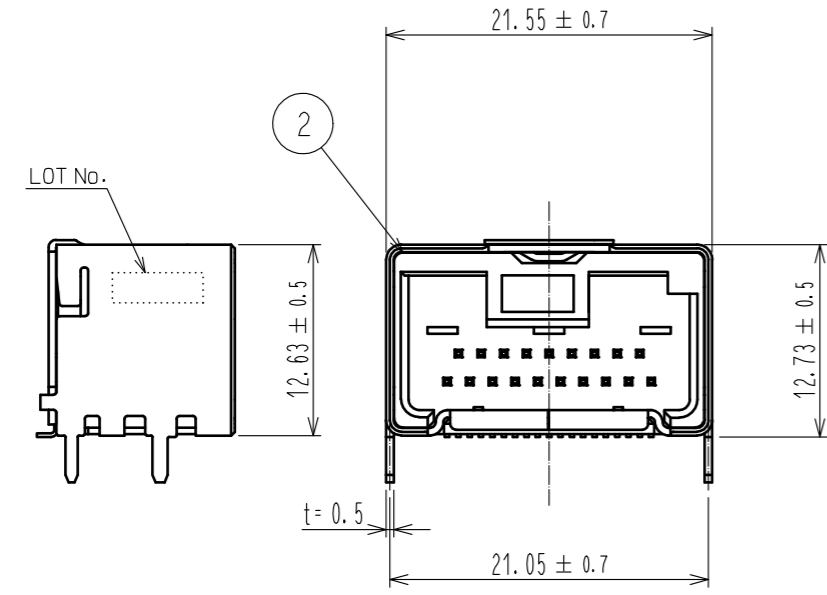
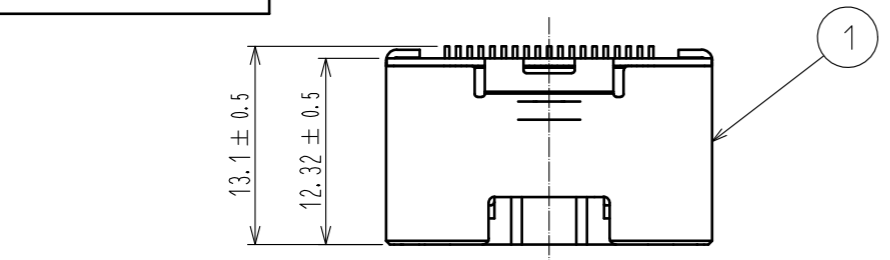
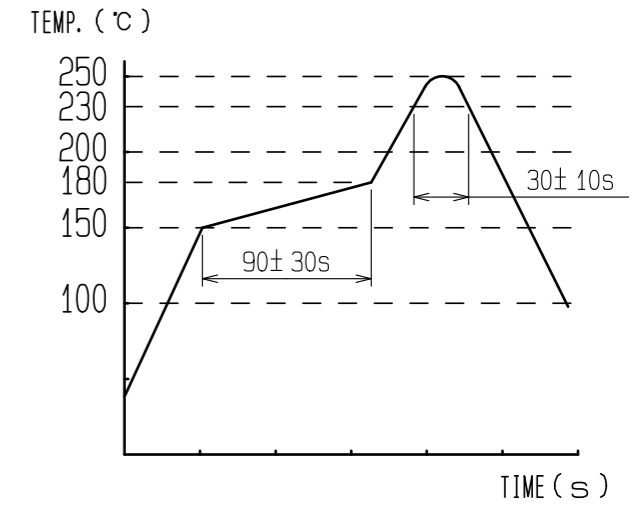


Mar.1.2026 Copyright 2026 HIROSE ELECTRIC CO., LTD. All Rights Reserved.  
In case of consideration for using Automotive equipment / device which demand high reliability, kindly contact our sales window correspondents.

ELV, RoHS COMPLIANT

NOTES

1. RECOMMENDED REFLOW PROFILE (SEE RIGHT GRAPH)  
CYCLE TIME: UP TO 2 CYCLES OF REFLOW SOLDERING ARE POSSIBLE UNDER THE CONDITIONS, PROVIDED THAT THERE IS A RETURN TO NORMAL TEMPERATURE BETWEEN THE FIRST AND SECOND CYCLE.  
PEAK TEMPERATURE: 250°C  
230°C MIN. FOR 20 TO 40 SECONDS.  
PREHEATING AREA 150~180°C FOR 60 TO 120 SECONDS.
2. HAND SOLDERING: 280-300°C, 2S MAX.
3. CONTACT COPLANARITY: 0.1mm MAX.
4. RECOMMENDED THICKNESS OF PCB: 1.6mm
5. RECOMMENDED THICKNESS OF SOLDERING PASTE: 0.15mm



2	PA	GRAY	4	BRASS	TIN PLATED
1	COPPER ALLOY	TIN PLATED	3	BRASS	TIN PLATED
NO.	MATERIAL	FINISH . REMARKS	NO.	MATERIAL	FINISH . REMARKS
UNITS mm		SCALE 2 : 1	COUNT	DESCRIPTION OF REVISIONS	
DESIGNED		CHECKED		DATE	
APPROVED : AR. SHIRAI			18.01.10		
CHECKED : TH. MIZUGUCHI			18.01.09		
DESIGNED : MH. SHOUJI			18.01.09		
DRAWN : MH. SHOUJI			18.01.09		
DRAWING NO.				EDC-380792-00-00	
PART NO.				GT32B-19DP-0.75H(A)	
CODE NO.				CL782-0082-0-00	

Mar.1.2026 Copyright 2026 HIROSE ELECTRIC CO., LTD. All Rights Reserved.  
In case of consideration for using Automotive equipment / device which demand high reliability, kindly contact our sales window correspondents.

# PACKAGE SPECIFICATIONS

- ①. Place the connectors into the tray. (Cf. Figure of tray shape)  
QTY per tray: 77pcs
- ②. Put the tray for six steps in turn and wind up a PP band.  
Top(the sixth step) is an empty tray.
- ③. Put it in a cardboard box (W=267 H=126 D=365)  
QTY per cardboard: 385 pcs

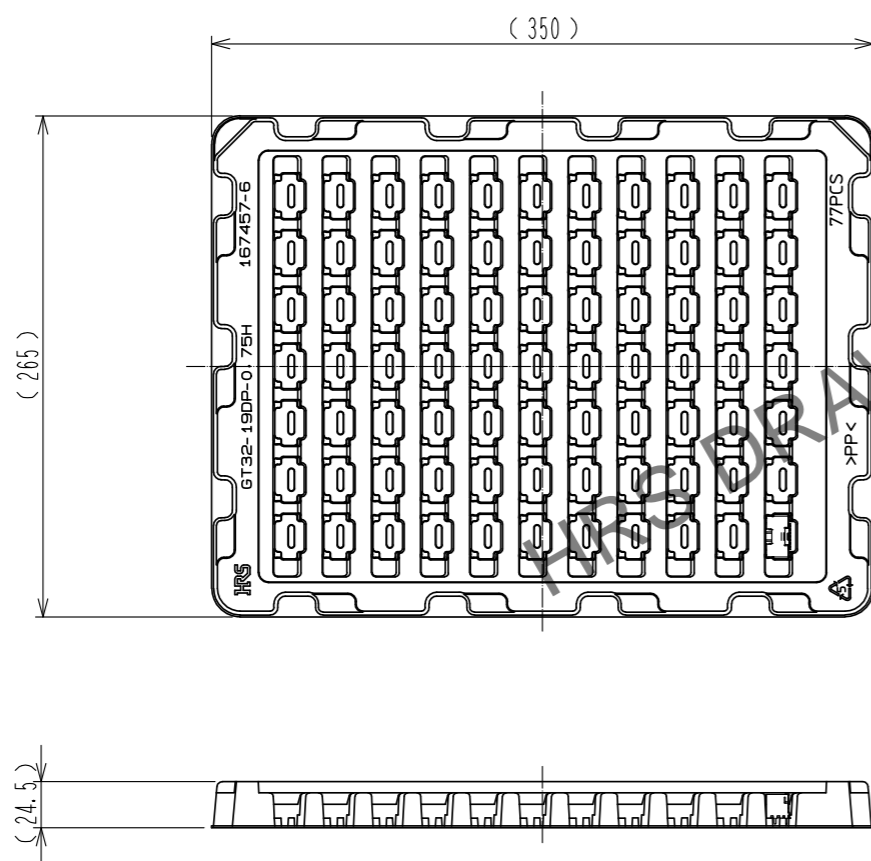


Figure of tray shape

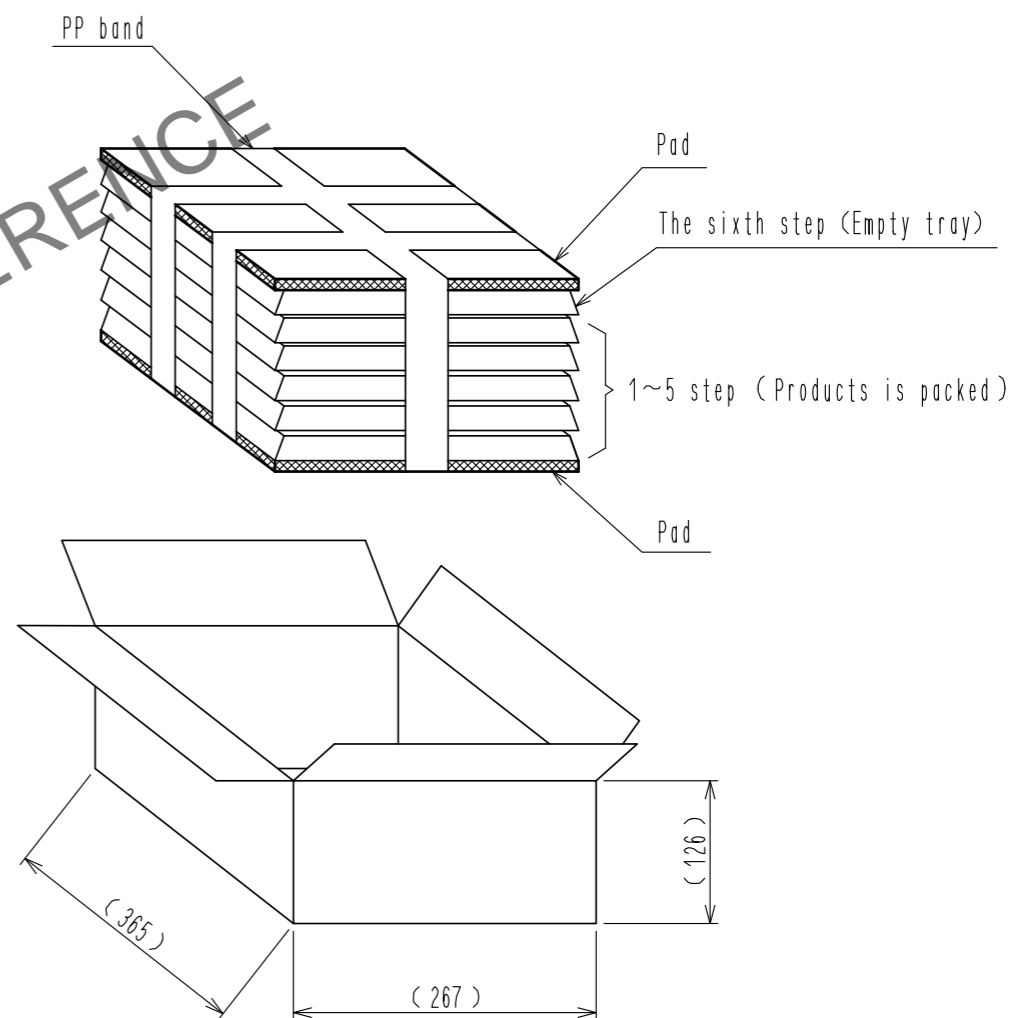


Figure of packing

<b>HRS</b>	DRAWING NO.	EDC-380792-00-00
	PART NO.	GT32B-19DP-0.75H(A)
	CODE NO.	CL782-0082-0-00
		2/2