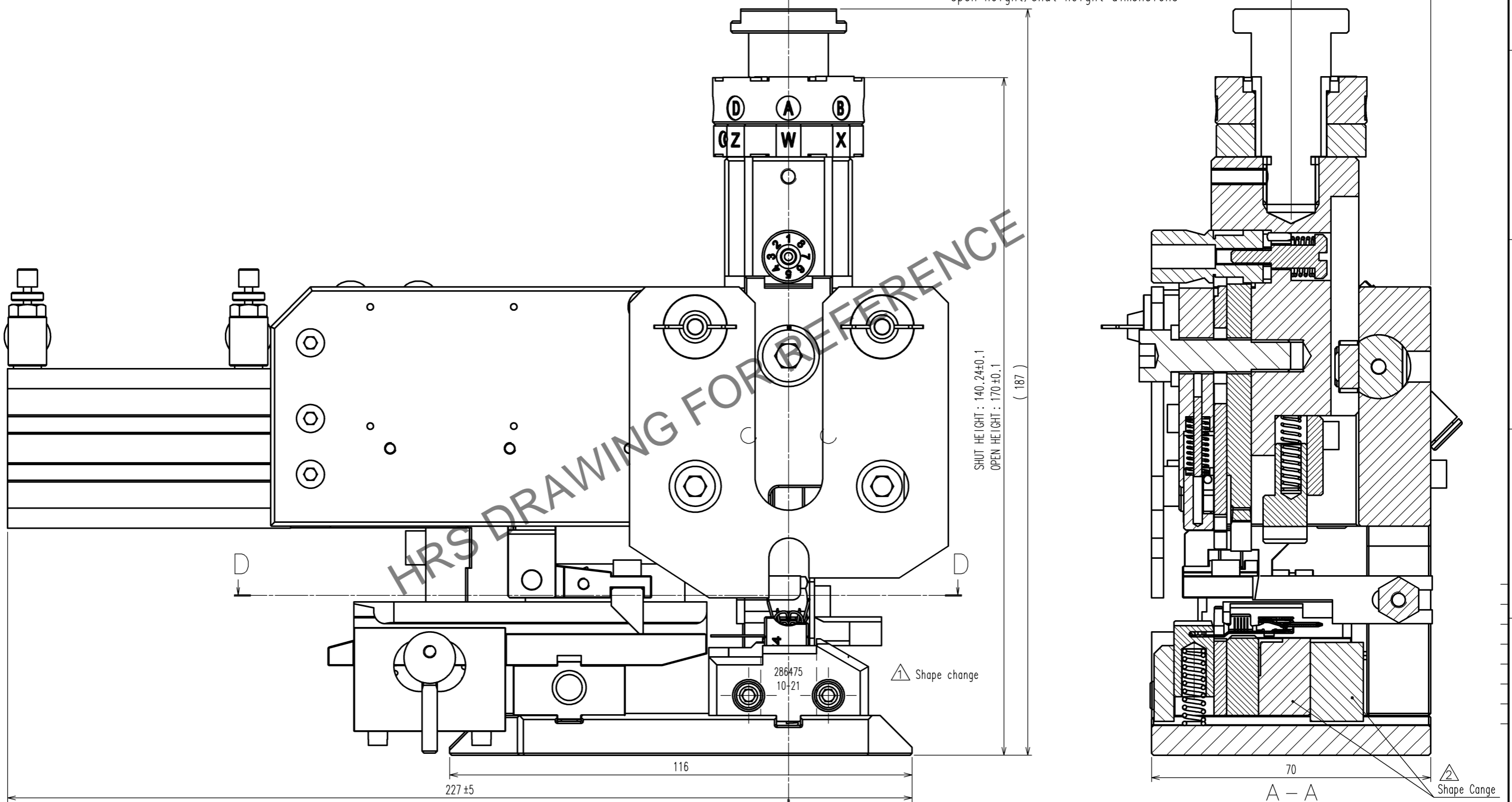


Apr.1.2026 Copyright 2026 HIROSE ELECTRIC CO., LTD. All Rights Reserved.  
 In case of consideration for using Automotive equipment / device which demand high reliability, kindly contact our sales window correspondents.

COUNT	DESCRIPTION OF REVISIONS	BY	CHKD	DATE	COUNT	DESCRIPTION OF REVISIONS	BY	CHKD	DATE
① 2	DIS-P-00006748	YAWGISHIMA	TOKUTA	21. 12. 27					
② 2	DIS-P-00014553	TOKUTA	ASANO	24. 2. 05					
③ 1	DIS-P-00016785	WATANABE	TOKUTA	24. 11. 21					

△ Completely revised

②③ Delete : CM105C  
 Open height/shut height dimensions



TO
PE

Notes.1 : Contact of DF60-1012PCFA(CL0680-3024-2) and DF60-1012SCFA(CL0680-3014-9)are assembled for this tool.

CODE NO. (OLD) CL-	DRAWN K.KIMURA 13. 6. 02	DESIGNED K.KIMURA 13. 6. 02	CHECKED S.OIZUMI 13. 6. 03	APPROVED T.ITO 13. 6. 03	RELEASED .
SCALE 1 : 1 UNITS mm	DRAWING NO. EDC3-276250-00-00		PART NO. AP105-DF60-1012		
<b>HRS</b> HIROSE ELECTRIC CO., LTD		CODE NO. CL0901-4624-8		1/1	