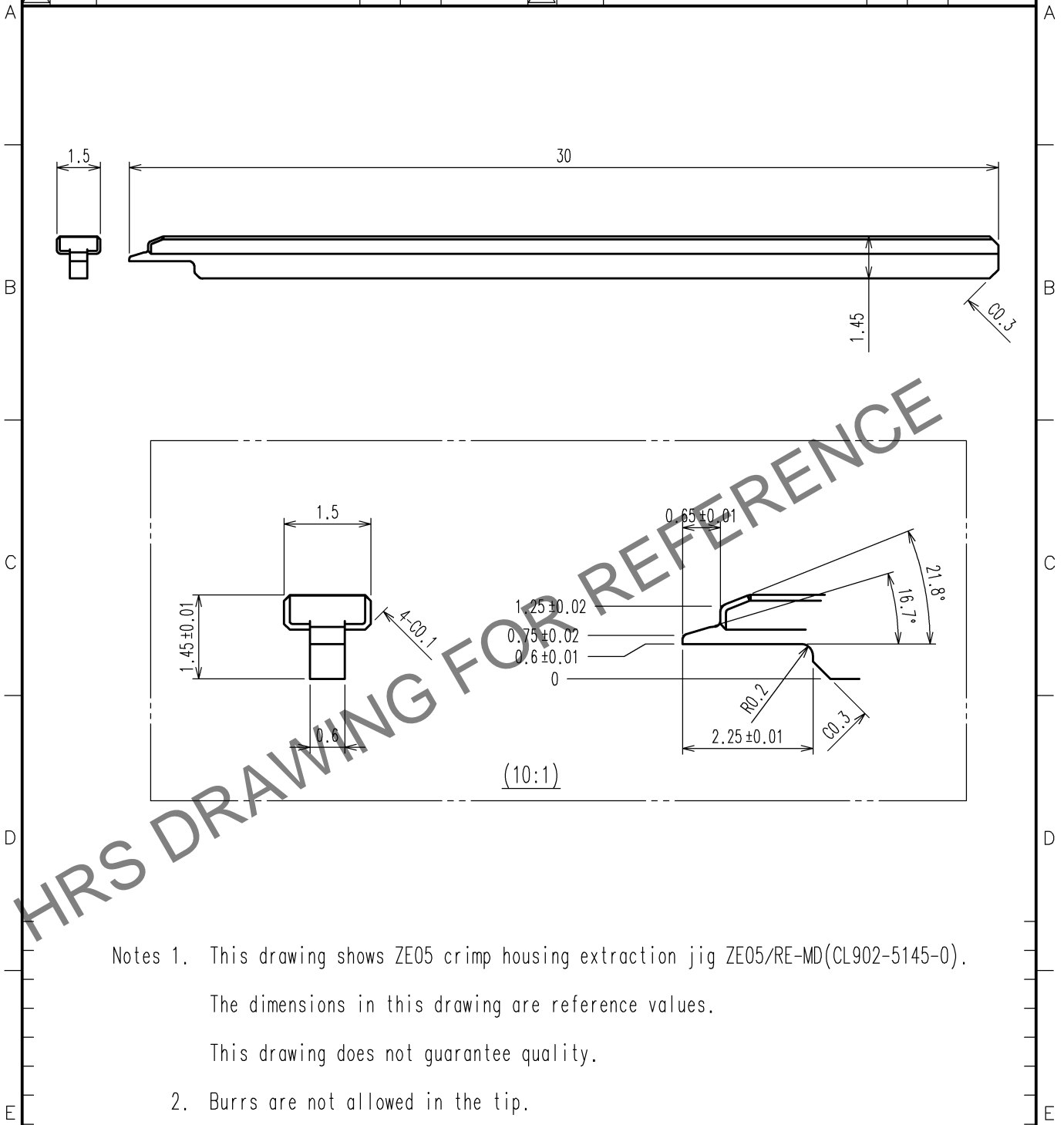


Feb.1.2025 Copyright 2025 HIROSE ELECTRIC CO., LTD. All Rights Reserved.
 In case of consideration for using Automotive equipment / device which demand high reliability, kindly contact our sales window correspondents.

1		2			3			4		
COUNT	DESCRIPTION OF REVISIONS	BY	CHKD	DATE	COUNT	DESCRIPTION OF REVISIONS	BY	CHKD	DATE	
△					△					
△					△					
△					△					



- Notes 1. This drawing shows ZE05 crimp housing extraction jig ZE05/RE-MD(CL902-5145-0).
 The dimensions in this drawing are reference values.
 This drawing does not guarantee quality.
2. Burrs are not allowed in the tip.

2			4		
1	SKS3	HQHT(HRC56<60)-1Cr5 RoHS compliant	3		
NO.	MATERIAL	FINISH, REMARKS	NO.	MATERIAL	FINISH, REMARKS

CODE NO. (OLD)	DRAWN	DESIGNED	CHECKED	APPROVED	RELEASED
CL-	M.HOSHINO	H.TOKUTA	H.TOKUTA	H.ASANO	
	21. 7. 26	21. 7. 26	21. 7. 26	21. 7. 26	

 SACLE 5 : 1	DRAWING NO.	PART NO.
	EDC4-285311-00-01	ZE05/RE-MD
 UNITS mm	 HIROSE ELECTRIC CO.,LTD.	CODE NO. CL902-5145-0

TO
PE