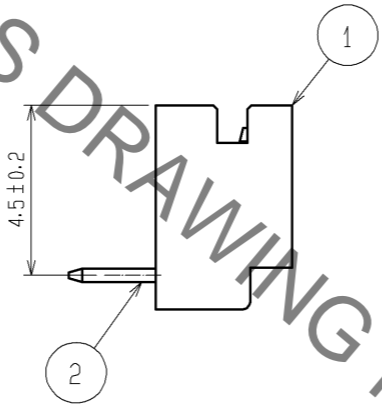
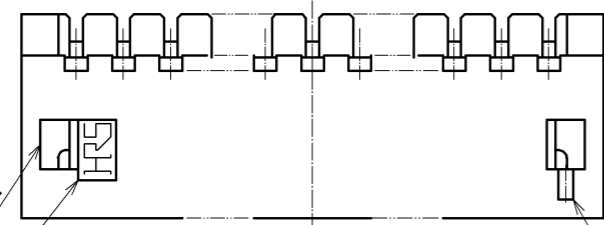
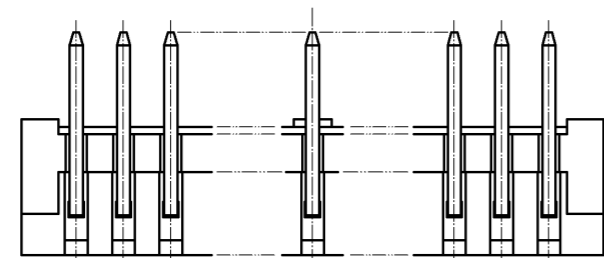
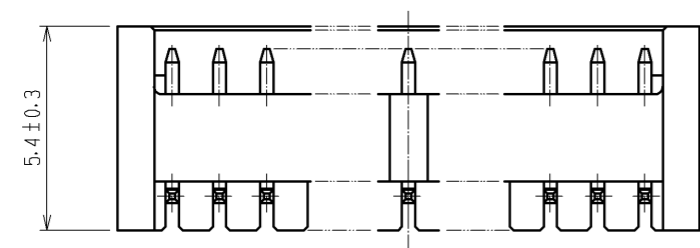
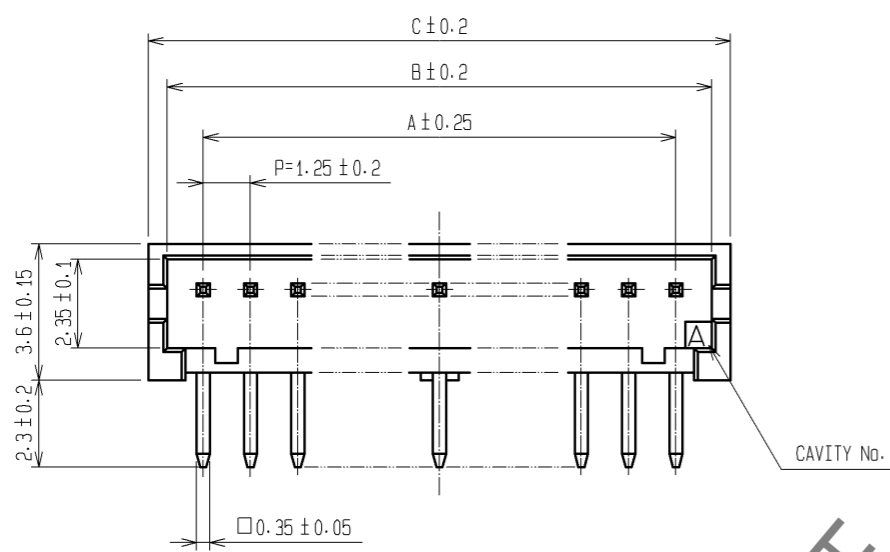


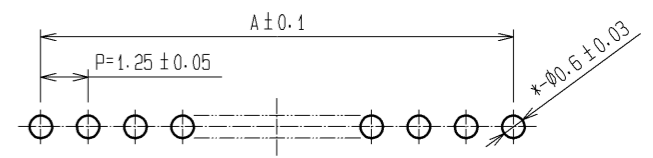
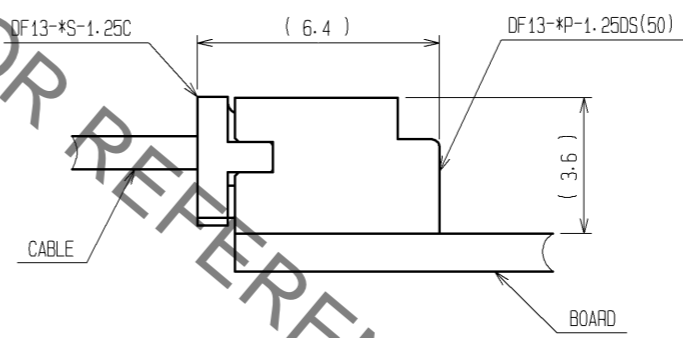
May.1.2019 Copyright 2019 HIROSE ELECTRIC CO., LTD. All Rights Reserved.
In case of consideration for using Automotive equipment / device which demand high reliability, kindly contact our sales window correspondents.



PART No.	CODE No.	NUMBER OF CONTACTS	A	B	C
DF13- 2P-1.25DS(50)	CL536-0151-7-50	2	1.25	3.15	4.15
DF13- 3P-1.25DS(50)	CL536-0152-0-50	3	2.50	4.40	5.40
DF13- 4P-1.25DS(50)	CL536-0153-2-50	4	3.75	5.65	6.65
DF13- 5P-1.25DS(50)	CL536-0154-5-50	5	5.00	6.90	7.90
DF13- 6P-1.25DS(50)	CL536-0155-8-50	6	6.25	8.15	9.15
DF13- 7P-1.25DS(50)	CL536-0156-0-50	7	7.50	9.40	10.40
DF13- 8P-1.25DS(50)	CL536-0157-3-50	8	8.75	10.65	11.65
DF13- 9P-1.25DS(50)	CL536-0158-6-50	9	10.00	11.90	12.90
DF13-10P-1.25DS(50)	CL536-0159-9-50	10	11.25	13.15	14.15
DF13-11P-1.25DS(50)	CL536-0160-8-50	11	12.50	14.40	15.40
DF13-12P-1.25DS(50)	CL536-0161-0-50	12	13.75	15.65	16.65
DF13-14P-1.25DS(50)	CL536-0163-6-50	14	16.25	18.15	19.15
DF13-15P-1.25DS(50)	CL536-0164-9-50	15	17.50	19.40	20.40

2 APPLICATION FIGURE

RECOMMENDED PATTERN (BOARD THICKNESS 1mm)

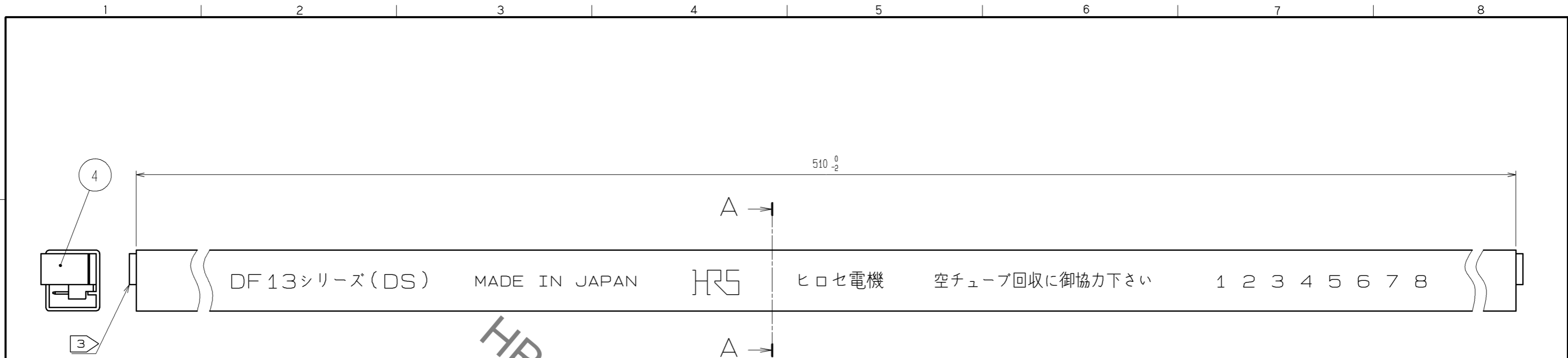


NOTE 1 WHEN THIS CONNECTOR HAS TWO OR THREE CONTACTS, THE LOCK OF CONNECTOR SHALL BE SET AT THE CENTER OF HOUSING. IN CASE THAT THE NUMBER OF CONTACTS IS MORE THAN FOUR, THE TWO LOCKS SHALL BE SET IN ACCORDANCE WITH THE LEFT DRAWINGS.

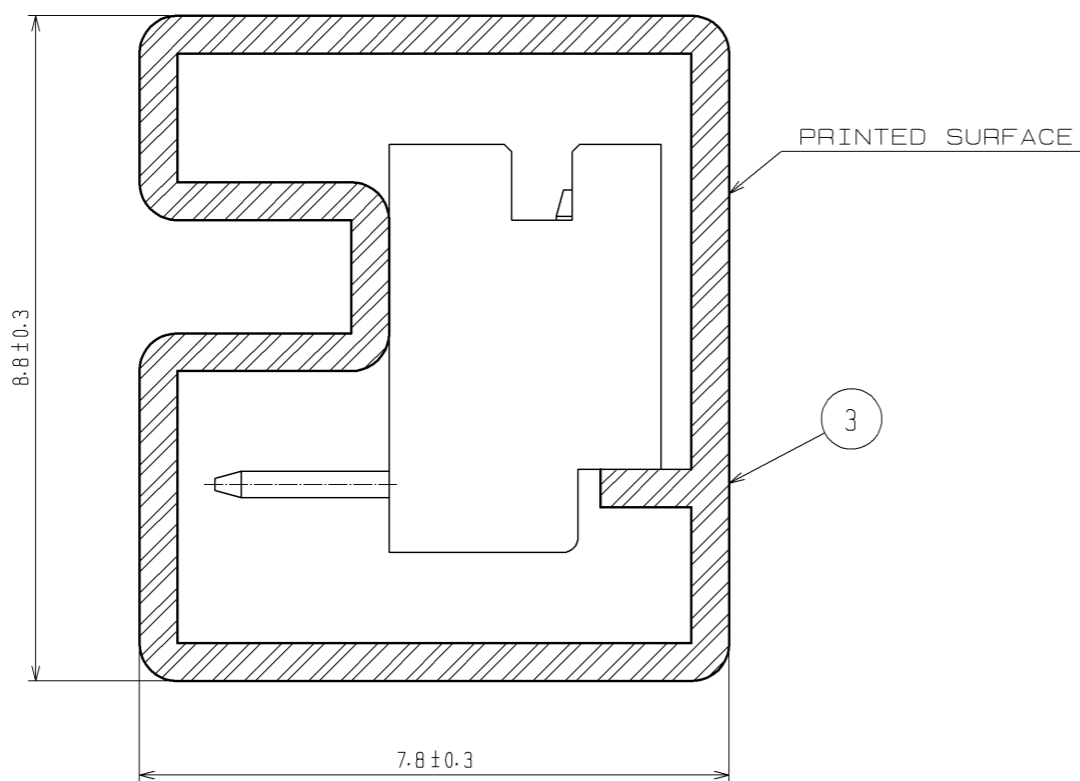
2 WHEN THIS CONNECTOR MATES WITH DF13-*S-1.25C, THE MATING LENGTH IS 6.4mm.

2	BRASS	SURFACE:GOLD PLATED 0.2µm min. UNDER:NICKLE PLATED 0.5µm min.	4	ELASTOMER	STOPPER, GRAY		
1	POLYAMIDE	BEIGE(NATURAL), UL94V-0	3	P S	ELECTROSTATIC PROTECTION, CLEAR		
NO.	MATERIAL	FINISH, REMARKS	NO.	MATERIAL	FINISH, REMARKS		
UNITS mm		SCALE 5 : 1	COUNT 	DESCRIPTION OF REVISIONS	DESIGNED	CHECKED	DATE
HRS HIROSE ELECTRIC CO., LTD.		APPROVED : TS. SAKATA	08.11.17	DRAWING NO. EDC3-162420-04			
		CHECKED : TS. KUMAZAWA	08.11.14	PART NO. DF13-*P-1.25DS(50)			
		DESIGNED : SN. KOBAYASHI	08.11.14	CODE NO. CL536-			
		DRAWN : YK. NAKATSU	08.11.11				

May.1.2019 Copyright 2019 HIROSE ELECTRIC CO., LTD. All Rights Reserved.
 In case of consideration for using Automotive equipment / device which demand high reliability, kindly contact our sales window correspondents.



A-A (10:1)



PARTS No.	CODE No.	NUMBER OF CONTACTS	QUANTITY OF CONNECTOR
DF13- 2P-1.25DS(50)	CL536-0151-7-50	2	115
DF13- 3P-1.25DS(50)	CL536-0152-0-50	3	89
DF13- 4P-1.25DS(50)	CL536-0153-2-50	4	72
DF13- 5P-1.25DS(50)	CL536-0154-5-50	5	61
DF13- 6P-1.25DS(50)	CL536-0155-8-50	6	52
DF13- 7P-1.25DS(50)	CL536-0156-0-50	7	46
DF13- 8P-1.25DS(50)	CL536-0157-3-50	8	41
DF13- 9P-1.25DS(50)	CL536-0158-6-50	9	37
DF13-10P-1.25DS(50)	CL536-0159-9-50	10	34
DF13-11P-1.25DS(50)	CL536-0160-8-50	11	31
DF13-12P-1.25DS(50)	CL536-0161-0-50	12	29
DF13-14P-1.25DS(50)	CL536-0163-6-50	14	25
DF13-15P-1.25DS(50)	CL536-0164-9-50	15	23

NOTE ③: MAGAZINE CASE HAS ONE STOPPER AT EACH END.
 ④: THOSE CONNECTORS SHALL BE ON SALED IN ACCORDANCE WITH THE MULTIPLE QUANTITY OF CONNECTORS.

HRS	DRAWING NO.	EDC3-162420-04	
	PART NO.	DF13-*P-1.25DS(50)	
	CODE NO.	CL536-	△ 2/2